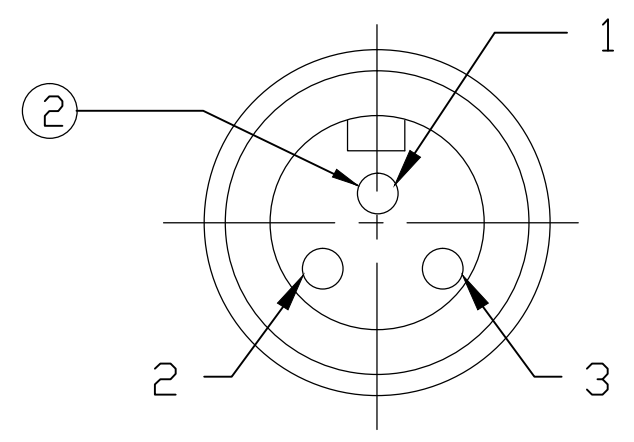
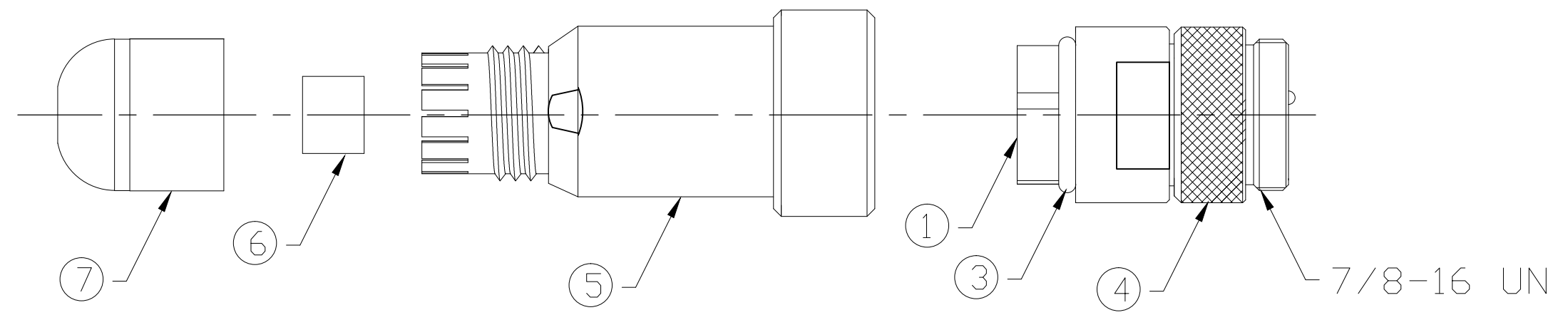
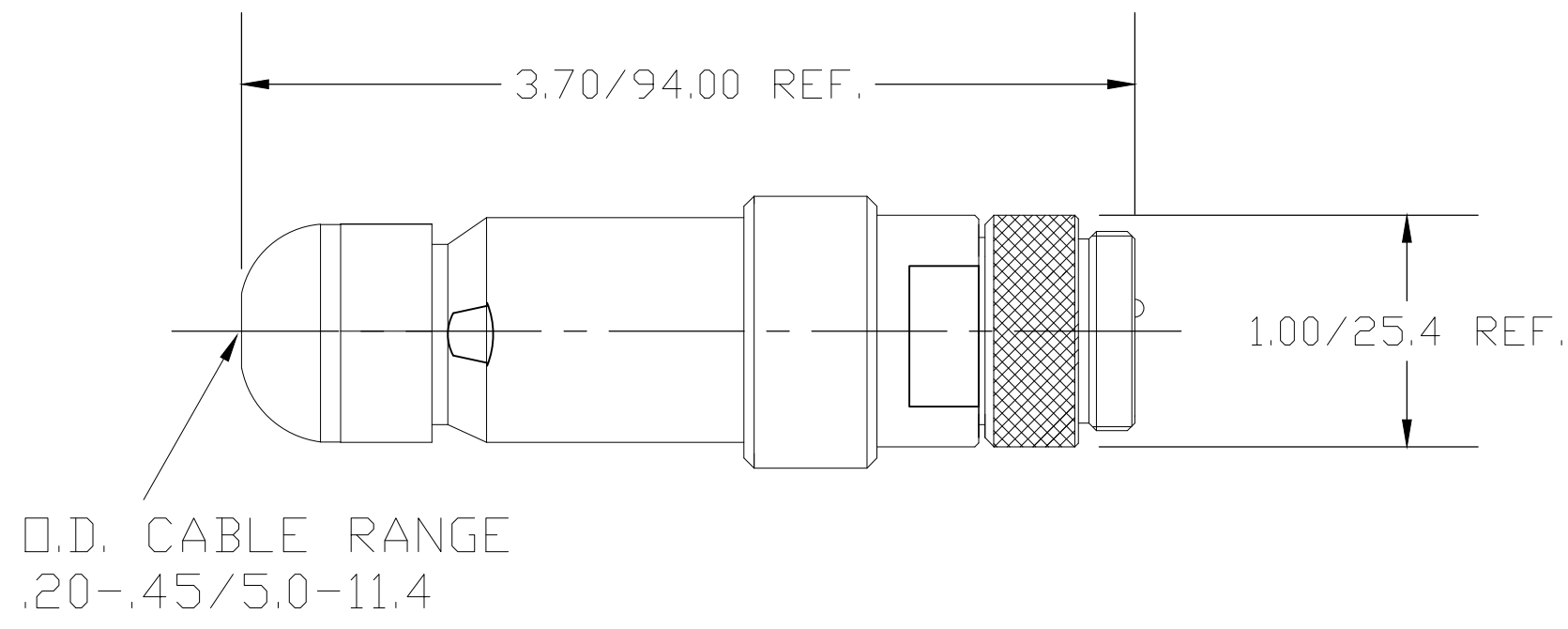
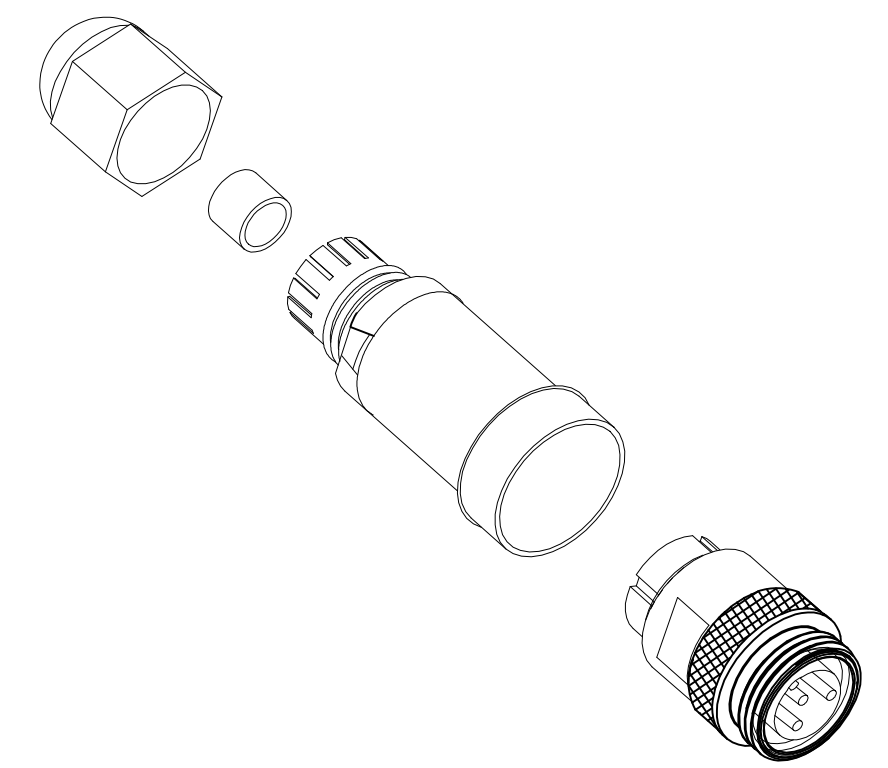
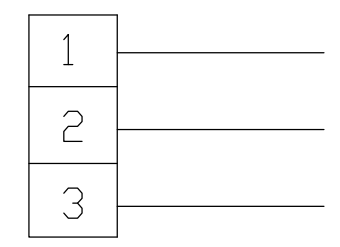


13	12	11	10	9	8	7	6	5	4	3	2	1
MATERIAL NUMBER	ENGINEERING PART NUMBER	COUPLING NUT MATERIAL	COUPLING NUT FINISH									
1300170011	1A3006-34	BRASS	NICKEL PLATED									
1300170012	1A3006-348	STAINLESS STEEL	PASSIVATED									



MALE FACE VIEW



WIRING CHART

(B1)

VOLTAGE RATING PER UL 2238	600VAC/VDC
VOLTAGE RATING PER IEC 60664	500V
AMPERAGE RATING	13 AMPS
PROTECTION	IP67 (WHEN MATED)
OPERATING TEMPERATURE	-20°C TO 80°C
CSA CERTIFICATIONS	CSA CERTIFIED, FILE NO. LR6837

ITEM	COMPONENT	MATERIAL	FINISH
1	INSERT	NYLON	BLACK
2	PIN CONTACTS	COPPER ALLOY	GOLD PLATED
3	O-RING	NITRILE	BLACK
4	COUPLING NUT	SEE CHART	SEE CHART
5	MOLDED BODY	NYLON	BLACK
6	GROMMET	NITRILE	BLACK
7	CORD GRIP BODY	NYLON	BLACK

ADD IEC VOLTAGE RATING EC NO.: IPG2017-1018 DRWN: RSTONE 5/1/17 CHKD: M ZIELIN 2017/05/08 APPR: BWOODMAN2009/08/26	QUALITY SYMBOL	GENERAL TOLERANCES (UNLESS SPECIFIED)	DIMENSION STYLE IN/MM	SCALE ---	DESIGN UNITS INCH	THIRD ANGLE PROJECTION		
	▽=0						mm	INCH
	∇=0						4 PLACES ±---	±---
							3 PLACES ±---	±---
		2 PLACES ±---	±---					
		1 PLACE ±---	±---					
		ANGULAR ±---°						
		DRAFT WHERE APPLICABLE MUST REMAIN WITHIN DIMENSIONS						
B1	REV		SIZE C	THIS DRAWING CONTAINS INFORMATION THAT IS PROPRIETARY TO MOLEX INCORPORATED AND SHOULD NOT BE USED WITHOUT WRITTEN PERMISSION				

DRAWN BY TWOLEDGE	DATE 2009/08/25	TITLE MINI CHANGE ATTACHABLE 3-POLE MALE ST .20-.45 O.D. CABLE RANGE
CHECKED BY BWOODMAN	DATE 2009/08/25	MOLEX INCORPORATED
APPROVED BY JFMURPHY	DATE 2009/08/26	
MATERIAL NO. SEE CHART		DOCUMENT NO. SD-130017-007
		SHEET NO. 1 OF 1

DRAWN BY TWOLEDGE		DATE 2009/08/25	TITLE MINI CHANGE ATTACHABLE 3-POLE MALE ST .20-.45 O.D. CABLE RANGE
CHECKED BY BWOODMAN		DATE 2009/08/25	MOLEX INCORPORATED
APPROVED BY JFMURPHY		DATE 2009/08/26	
MATERIAL NO. SEE CHART		DOCUMENT NO. SD-130017-007	
		SHEET NO. 1 OF 1	

X-ON Electronics

Largest Supplier of Electrical and Electronic Components

Click to view similar products for [Standard Circular Connector](#) category:

Click to view products by [Molex](#) manufacturer:

Other Similar products are found below :

[5M2530B10P](#) [600259N006](#) [600273N007](#) [6134-336-13149](#) [6134-337-11149](#) [6134-337-2390](#) [6134-341-17149](#) [6280-4SG-516](#) [6280-7SG-3DC](#)
[6290](#) [6291A](#) [66200A-10](#) [680-SMG](#) [681-PMG](#) [CXS3102A14S2P](#) [CXS3102A181S](#) [7271-6SG-300](#) [7282-3PG-300-CH3](#) [75-474014-05S](#) [75-](#)
[474618-01S](#) [75-474618-04P](#) [75-474618-04S](#) [799539-000](#) [MI8-SE](#) [805-005-07NF11-19PC](#) [805-005-07NF15-7PA](#) [8280-4PG-516](#) [8280-7PG-](#)
[519](#) [8282-5PG-519](#) [836783-1](#) [MP-4102-25P-C](#) [862256-1](#) [864019-2](#) [866857-1](#) [867865-1](#) [PT01SP-14-18P](#) [PT08P-14-5S](#) [120-1833-000](#)
[QCM019PC2DC012B](#) [1-2069279-1](#) [121583-0217](#) [121667-0020](#) [129591AU](#) [1000B BULK](#) [RD10A16-19-P6CS051/1](#) [RD10A20-31-](#)
[P8CS051/1](#) [RD16A14-12-S6CS051/2](#) [1301240290](#) [1301240347](#) [1301860202](#) [1301240268](#)