

**PLEASE CHECK WWW.MOLEX.COM FOR LATEST PART INFORMATION**

**Part Number:** [1300170058](#)  
**Status:** **Active**  
**Overview:** [Brad Mini-Change Connectors](#)  
**Description:** Mini-Change Field Attachable, Male Connector, 4 Pole, Cable Range: 5.08-12.19mm Outside Diameter with External Threads

**Documents:**

[Drawing \(PDF\)](#) [RoHS Certificate of Compliance \(PDF\)](#)

**Agency Certification**

UL E258922

**General**

Product Family Field Attachable / Accessories  
 Series [130017](#)  
 Approvals cULus Listed  
 IP Rating IP67  
 Material - Contact Brass  
 Overview [Brad Mini-Change Connectors](#)  
 Product Name Mini-Change  
 Type Field Attachable Connector  
 UPC 887191426433

**Physical**

Cable Diameter 5.00 - 12.00mm (.197-.472")  
 Coupling Type External Thread  
 Diagnostics / LEDs No  
 Diagnostics Port No  
 Gender Male  
 Keyway Single  
 Material - Connector Body Nylon  
 Material - Coupling Nut Nickel-plated Brass  
 Material - Plating Mating Gold  
 Net Weight 57.152/g  
 Orientation Straight  
 Poles 4  
 Temperature Range - Operating -20°C to +80°C  
 Wire Size AWG 15 to 24

**Electrical**

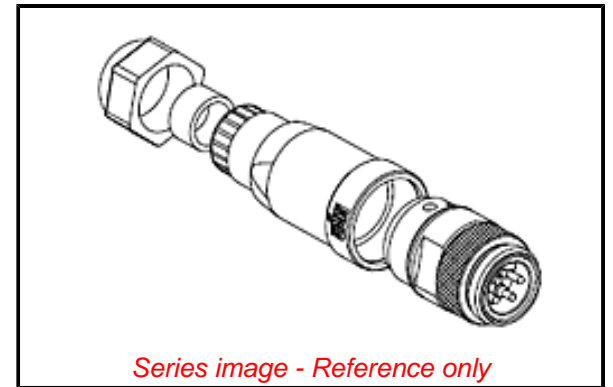
Current - Maximum per Contact 15.0A  
 Voltage - Maximum 600V AC/DC

**Material Info**

Engineering Number 1A4006-34PWR

**Reference - Drawing Numbers**

Sales Drawing SD-130017-017-001



**EU ELV**

**Not Relevant**

**EU RoHS**

**Compliant with Exemption 6(c)**

**REACH SVHC**

Contained Per - D(2020)9139-DC (19 Jan 2021)

Lead

**Halogen-Free**

**Status**

**Not Low-Halogen**

For more information, please visit [Contact US](#)

China ROHS

ELV

RoHS Phthalates

**China RoHS**

50 Image

Not Relevant

Not Contained

**Search Parts in this Series**

[130017 Series](#)

## X-ON Electronics

Largest Supplier of Electrical and Electronic Components

*Click to view similar products for [Standard Circular Connector](#) category:*

*Click to view products by [Molex](#) manufacturer:*

Other Similar products are found below :

[5M2530B10P](#) [600259N006](#) [600273N007](#) [6134-336-13149](#) [6134-337-11149](#) [6134-337-2390](#) [6134-341-17149](#) [6280-4SG-516](#) [6280-7SG-3DC](#)  
[6290](#) [6291A](#) [66200A-10](#) [680-SMG](#) [681-PMG](#) [CXS3102A14S2P](#) [CXS3102A181S](#) [7251-6SG-300](#) [7271-6SG-300](#) [7282-3PG-300-CH3](#) [75-](#)  
[474014-05S](#) [75-474618-01S](#) [75-474618-04P](#) [75-474618-04S](#) [799539-000](#) [MI8-SE](#) [805-005-07NF11-19PC](#) [805-005-07NF15-7PA](#) [8280-4PG-](#)  
[516](#) [8280-7PG-519](#) [8282-5PG-519](#) [836783-1](#) [MP-4102-25P-C](#) [862256-1](#) [864019-2](#) [866857-1](#) [867865-1](#) [PT01SP-14-18P](#) [PT08P-14-5S](#)  
[PTSF06SE-14-12S](#) [120-1833-000](#) [QCM019PC2DC012B](#) [1-2069279-1](#) [121583-0217](#) [121667-0020](#) [129591AU](#) [1000B BULK](#) [RD10A16-19-](#)  
[P6CS051/1](#) [RD10A20-31-P8CS051/1](#) [RD16A14-12-S6CS051/2](#) [1301240290](#) [1301240347](#)