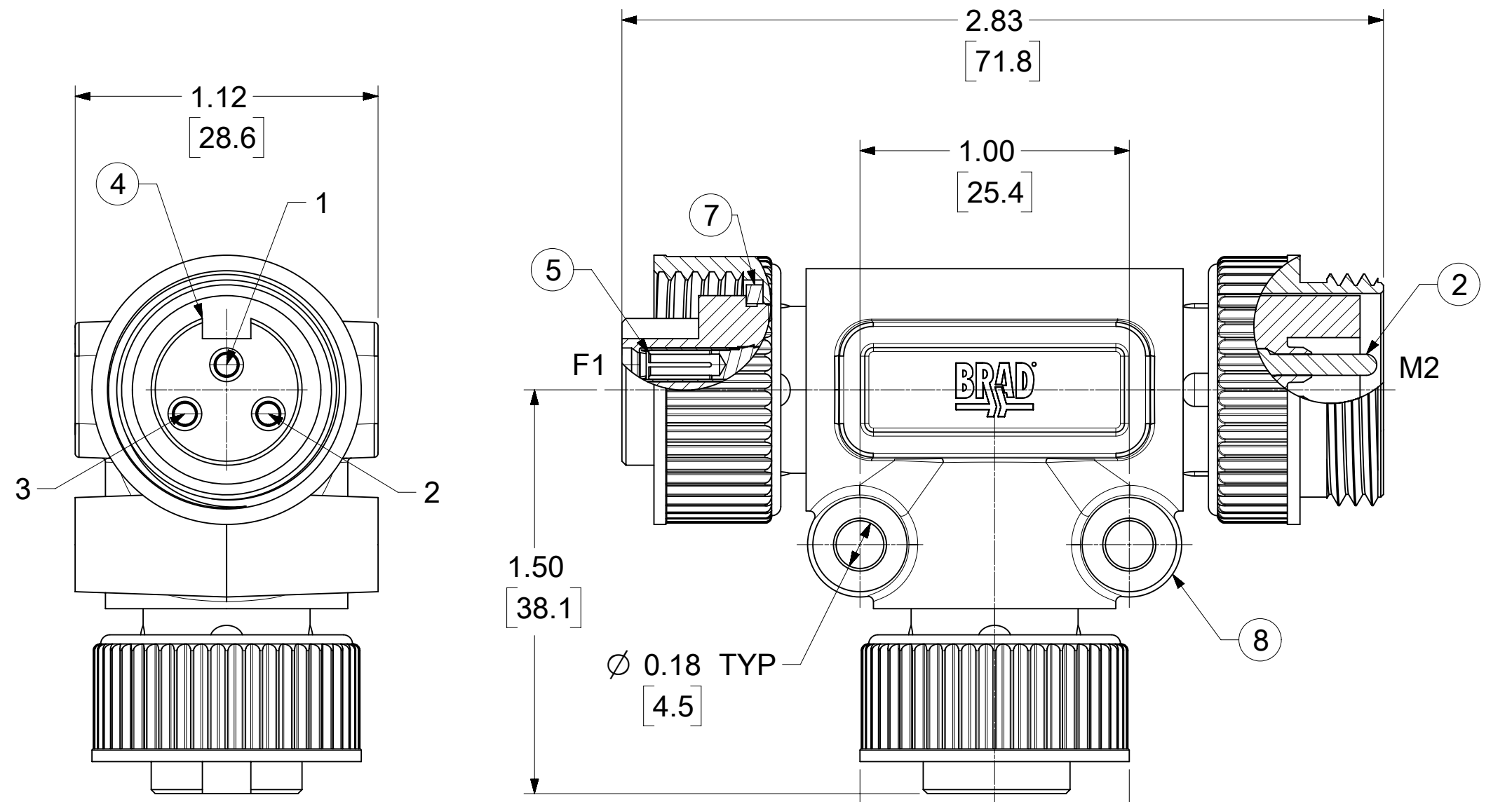
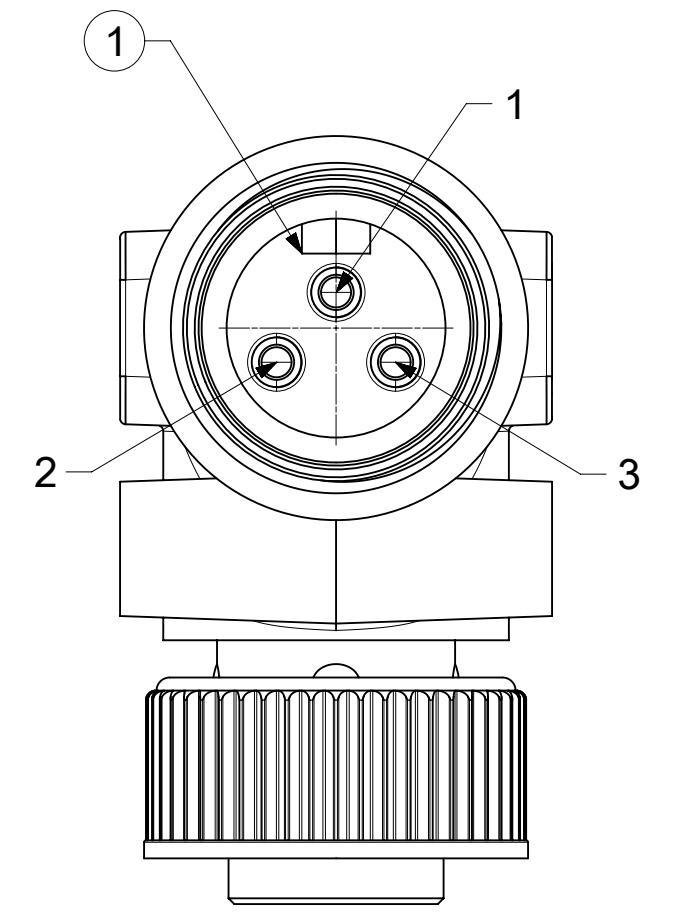


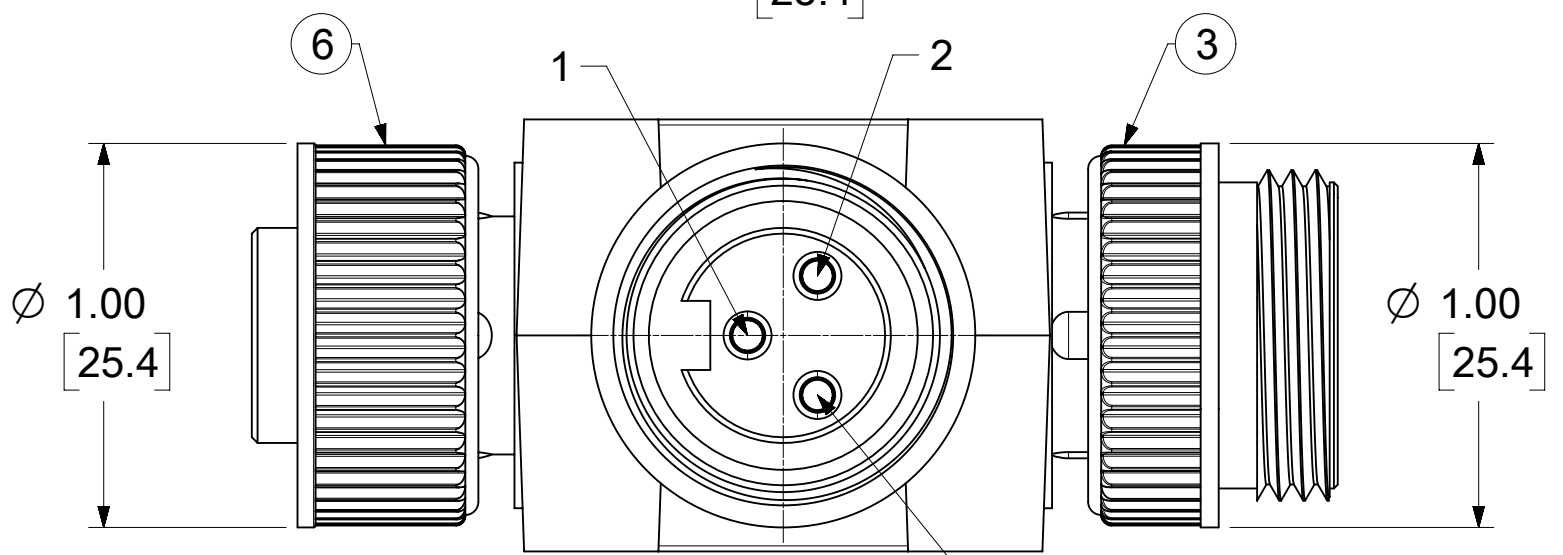
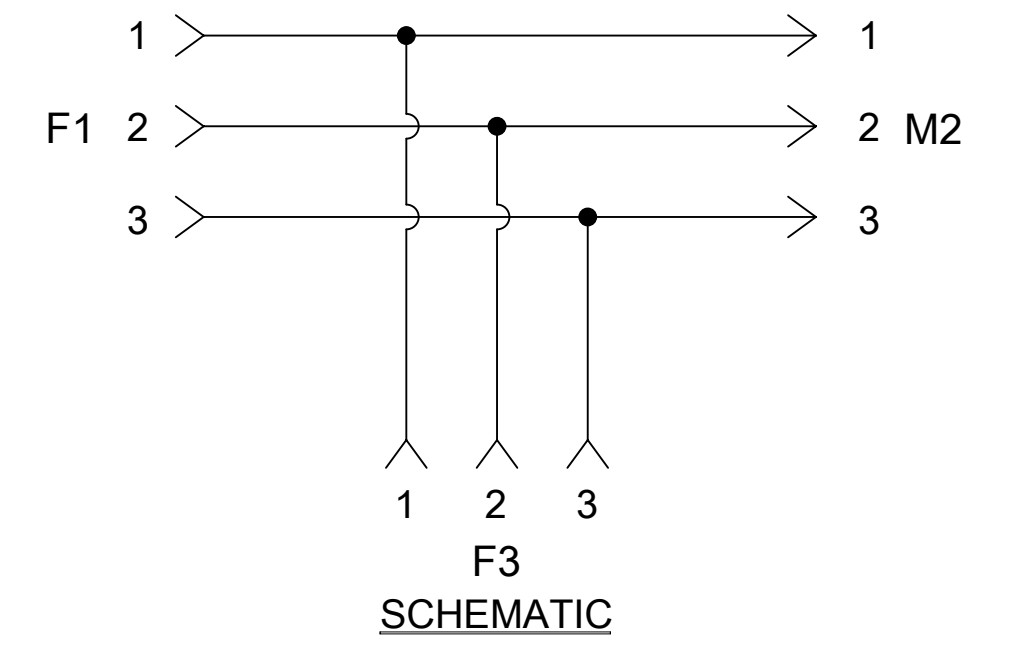
MATERIAL NO.	ENGINEERING NO.	OVERMOLD COLOR
1300180476	61056E	RED
1300180217	61056	YELLOW



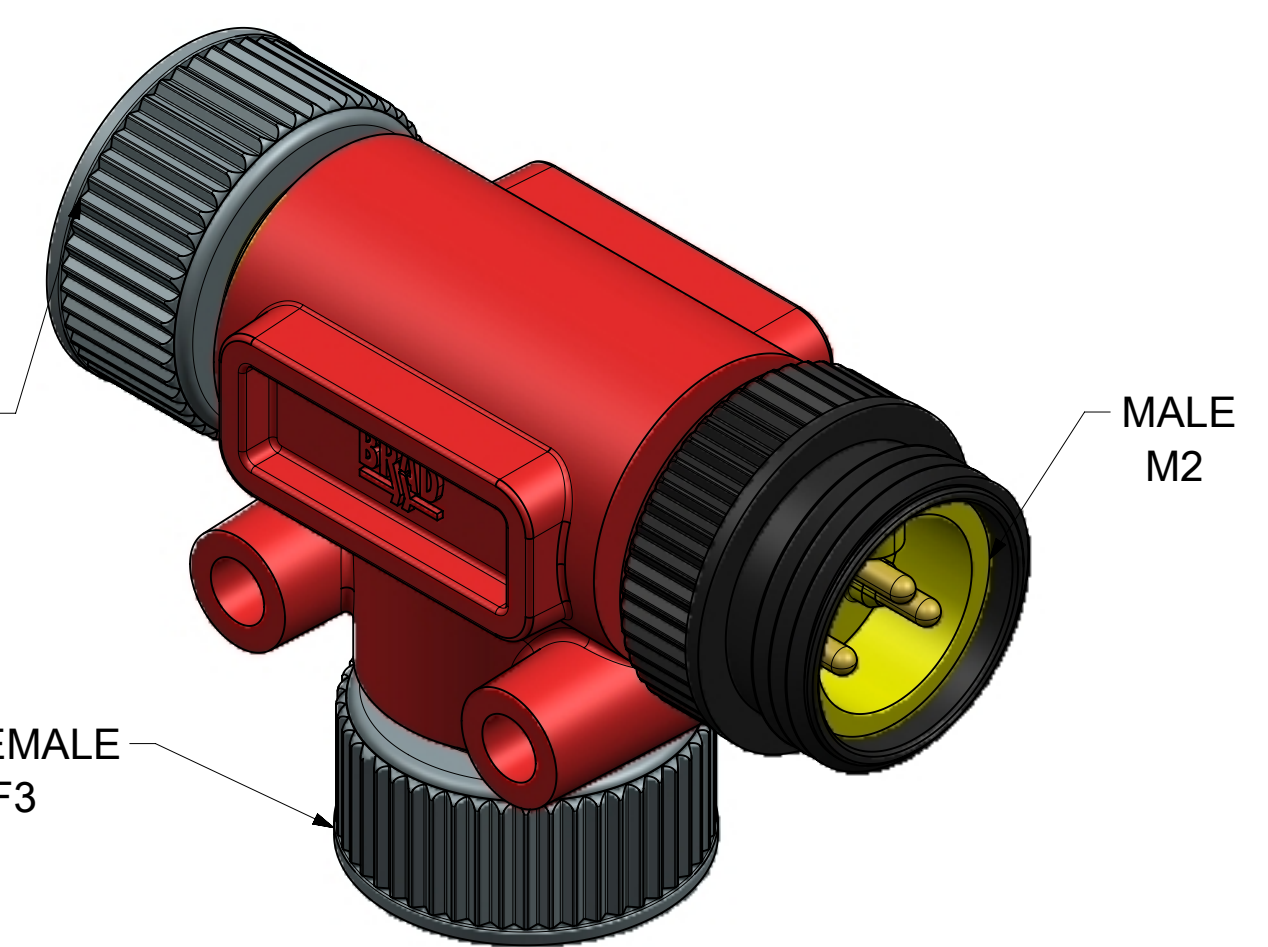
FEMALE FACE VIEW
1 - GREEN
2 - BLACK
3 - WHITE



MALE FACE VIEW
1 - GREEN
2 - BLACK
3 - WHITE



FEMALE FACE VIEW
1 - GREEN
2 - BLACK
3 - WHITE



- NOTES:
1. MATERIAL: AS NOTED
 2. FINISH: AS NOTED
 3. ELECTRICAL:
VOLTAGE; 600V AC/DC
CURRENT: 10A
 4. TEMP RATING: -20°C TO +80°C
 5. PROTECTION: IP67 (WHEN MATED)
 6. COUPLING THREADS: 7/8"-16UN
 7. ALL DIMS ARE FOR REFERENCE UNLESS NOTED OTHERWISE
 8. UL APPROVAL: PENDING

ITEM	DESCRIPTION	MATERIAL	FINISH
8	OVERMOLD	TPE	SEE TABLE
7	FRICTION RING	NYLON	NATURAL
6	FEMALE COUPLER	ZINC DIE CAST	BLACK E-COAT
5	CONTACT SOCKET	COPPER ALLOY	GOLD PLATED
4	FEMALE INSERT (A-SIZE)	TPE	YELLOW
3	MALE COUPLER	ZINC DIE CAST	BLACK E-COAT
2	CONTACT PIN	COPPER ALLOY	GOLD PLATED
1	MALE INSERT (A-SIZE)	TPE	YELLOW

THIS DOCUMENT SUPERSEDES DOC# SD-130018-006 REV A

SYMBOLS	DIMENSION UNITS	SCALE	CURRENT REV	DESC: UPDATE TO NX, ADD PN
▽ = 0	HYBRID	2:1		
▽ = 0	GENERAL TOLERANCES (UNLESS SPECIFIED)			
▽ = 0	ANGULAR TOL	±		
▽ = 0	4 PLACES	±		
▽ = 0	3 PLACES	±		
▽ = 0	2 PLACES	±		
▽ = 0	1 PLACE	±		
▽ = 0	0 PLACES	±		
▽ = 0	DRAFT WHERE APPLICABLE MUST REMAIN WITHIN DIMENSIONS			
▽ = 0	THIRD ANGLE PROJECTION			
▽ = 0	DRAWING SERIES			
▽ = 0	C-SIZE 130018			

<p>EC NO: 620987 DRWN: MZIELINSKI 2017/09/13 CHK'D: MZIELINSKI 2019/07/19 APPR: BWOODMAN 2019/07/19</p>			
<p>INITIAL REVISION: DRWN: MZIELINSKI 2017/09/13 APPR: BWOODMAN 2019/07/19</p>			
<p>DOCUMENT NUMBER</p> <p>1300180476</p>		<p>DOC TYPE DOC PART REVISION</p> <p>PSD 000 A</p>	
<p>MATERIAL NUMBER</p> <p>SEE TABLE</p>		<p>CUSTOMER</p> <p>1 OF 1</p>	

X-ON Electronics

Largest Supplier of Electrical and Electronic Components

Click to view similar products for [Sensor Cables / Actuator Cables](#) category:

Click to view products by [Molex](#) manufacturer:

Other Similar products are found below :

[60963](#) [60964](#) [703000D02F2002](#) [703001D02F0602](#) [703001D02F300](#) [704000D02F120](#) [773032K02F030](#) [802027107404-1](#) [802027213811-1](#)
[804001A09M150](#) [805001A09M0502](#) [84914-0235](#) [84914-0237](#) [885030A09M020](#) [8R4J30E03C3003](#) [1200651332](#) [1200651713](#) [1200660844](#)
[1200660845](#) [1200661173](#) [1200680071](#) [1200720053](#) [1200720081](#) [1200720099](#) [1200720217](#) [1200800231](#) [1200860125](#) [1200870123](#)
[1200980102](#) [1200650267](#) [1200650298](#) [1200660183](#) [1200660782](#) [1200660849](#) [1200661295](#) [1200661297](#) [1200661342](#) [1200661343](#)
[1200670080](#) [1200670220](#) [1200680331](#) [1200720252](#) [1200730184](#) [1200860344](#) [1200870359](#) [1200870643](#) [1200980008](#) [1200980031](#)
[1210502211](#) [1210400542](#)