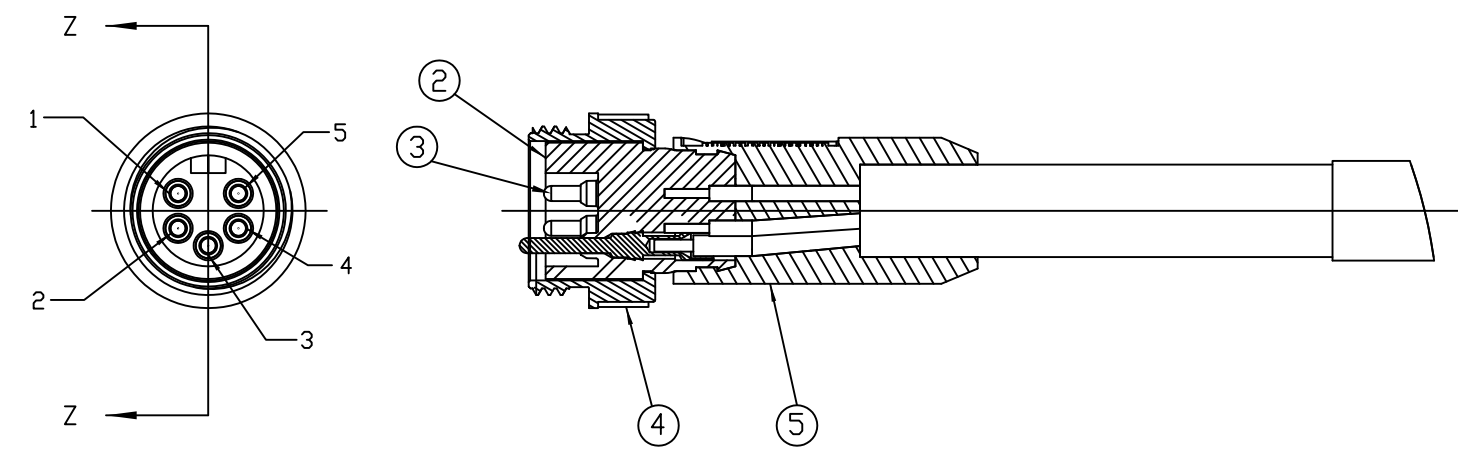
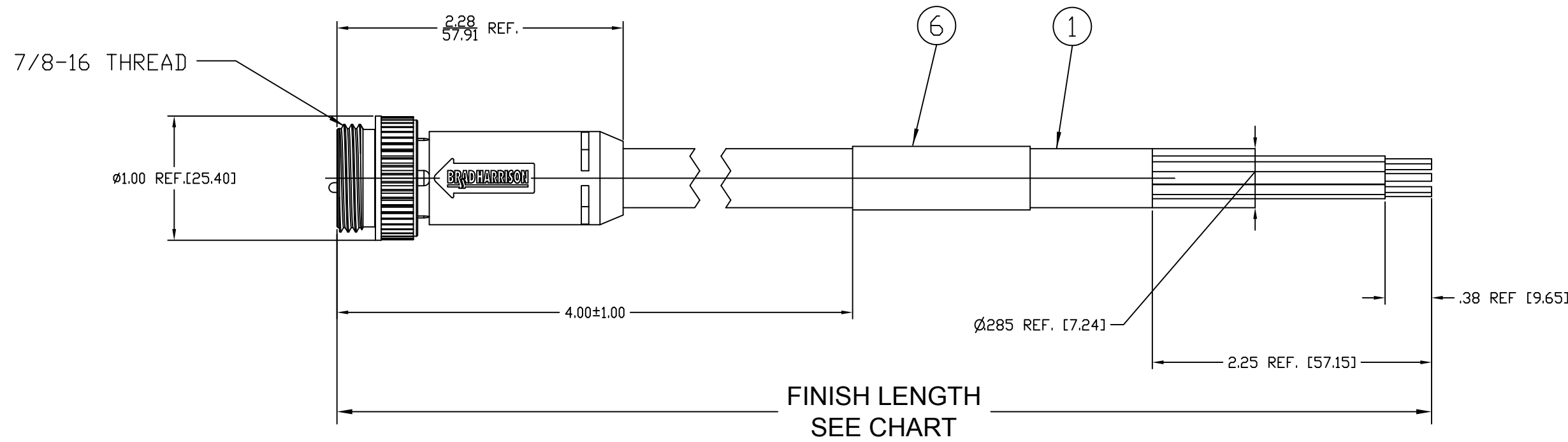
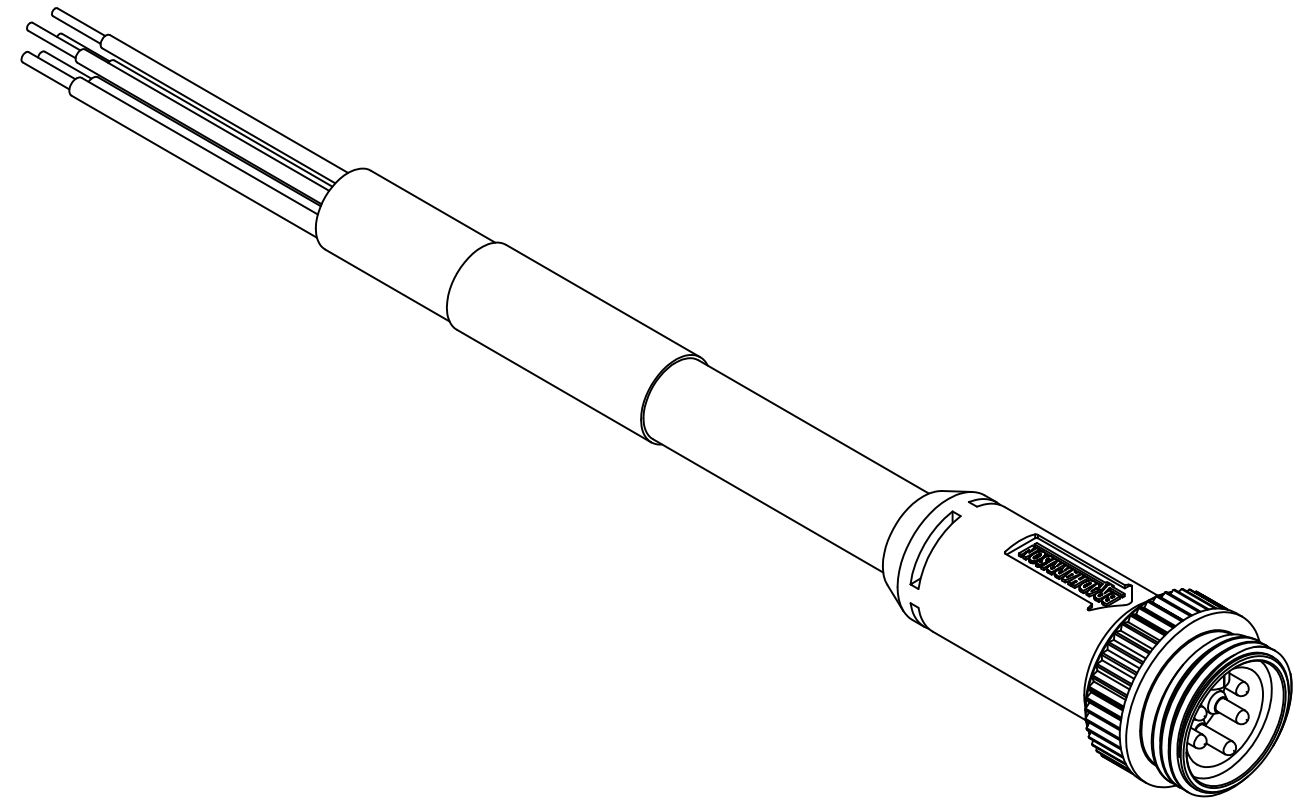


MATERIAL NUMBER	OLD PART NUMBER	FINISHED LENGTH (FT/M)	MATERIAL NUMBER	OLD PART NUMBER	FINISHED LENGTH (FT/M)
1300240188	DND01A-M003	.98' +.75" -0 [.3M +19.1 -0]	1300240198	DND01A-M100	32.81' +12.50" -0 [10M +317.5 -0]
1300240184	DND01A-0010	1.00' +.75" -0 [.31M +19.1 -0]	1300240199	DND01A-M120	39.37' +12.50" -0 [12.0M +317.5 -0]
1300240189	DND01A-M005	1.64' +1.75" -0 [.5M +44.5 -0]	1300240200	DND01A-M130	42.65' +12.50" -0 [13.0M +317.5 -0]
1300240191	DND01A-M010	3.28' +2.19" -0 [1.0M +55.6 -0]	1300240201	DND01A-M200	65.62' +24.50 -0 [20.0M +622.3 -0]
1300240192	DND01A-M020	6.56' +3.50" -0 [2.0M +88.9 -0]			
1300240193	DND01A-M030	9.84' +3.50" -0 [3.0M +88.9 -0]			
1300240194	DND01A-M040	13.12' +6.50" -0 [4.0M +165.1 -0]			
1300240195	DND01A-M050	16.40' +6.50" -0 [5.0M +165.1 -0]			
1300240196	DND01A-M060	19.69' +6.50" -0 [6.0M +165.1 -0]			
1300240197	DND01A-M080	26.25' +12.50" -0 [8.0M +317.5 -0]			



P1	DESCRIPTION
1	DRAIN
2	RED +V
3	BLACK -V
4	WHITE CAN H
5	BLUE CAN L

WIRING DIAGRAM

NOTES:

1. MATERIAL: SEE TABLE
2. FINISHES: SEE TABLE
3. CABLE ASSEMBLIES ARE BAGGED SEPERATELY IN POLY BAGS WITH BARCODE LABEL ATTACHED TO OUTSIDE OF BAG
4. WRAP LABEL IS MARKED WITH P/N, DATE CODE VOLTAGE & AMPERAGE
5. MATES WITH: MINI CHANGE, A-SIZE 5 POLE RECEPTACLE
6. ELECTRICAL SPECIFICATIONS:  
VOLTAGE RATING: 300V  
CURRENT RATING: 4 AMPS
7. ASSEMBLY IS RoHS COMPLIANT

ITEM	QTY.	DESCRIPTION	MATERIAL	FINISH
6	1	LABEL	PLASTIC FILM	BLACK/YELLOW
5	1	OVERMOLD	PVC	GRAY
4	1	COUPLING NUT	ZINC DIE CAST	BLACK
3	5	CONTACT PIN, 22 AWG	BRASS	GOLD PLATED
2	1	INSERT, MALE, 5 POLE	PVC	GRAY
1	1	CABLE, DEV-NET, DROP, 22/4AWG W/DRAIN	PVC JACKET	GRAY

RELEASE EC NO: WNA2010-0508 DRWN: BWOODMAN 2/10/10 CH'KD: TW APPR: JFMURPHY 2010/03/29	DESCRIPTION REV	<b>QUALITY SYMBOL</b> $\nabla=0$ $\sphericalangle=0$	<b>GENERAL TOLERANCES (UNLESS SPECIFIED)</b>		<b>DIMENSION STYLE</b> IN/MM	SCALE 1:1	DESIGN UNITS INCH	THIRD ANGLE PROJECTION
			4 PLACES ±--- ±--- 3 PLACES ±--- ±.005 2 PLACES ±0.13 ±.010 1 PLACE ±0.25 ±.020	DRAWN BY DATE CHECKED BY DATE APPROVED BY DATE	TITLE <b>MINICHANGE DEVICE NET          5-POLE MALE ST DROP          22/4AWG W/DRIAN GRAY PVC</b>			
			ANGULAR ±1/2° DRAFT WHERE APPLICABLE MUST REMAIN WITHIN DIMENSIONS	JFMURPHY 2010/03/29 MATERIAL NO. <b>SEE CHART</b>	MOLEX INCORPORATED DOCUMENT NO. <b>SD-130024-090</b>		SHEET NO. <b>1 OF 1</b>	
				THIS DRAWING CONTAINS INFORMATION THAT IS PROPRIETARY TO MOLEX INCORPORATED AND SHOULD NOT BE USED WITHOUT WRITTEN PERMISSION				

## X-ON Electronics

Largest Supplier of Electrical and Electronic Components

*Click to view similar products for [Sensor Cables / Actuator Cables](#) category:*

*Click to view products by [Molex](#) manufacturer:*

Other Similar products are found below :

[1300070444](#) [43-10984](#) [M83513/19-F01CP](#) [704000D02F120](#) [MDM15SH001K](#) [MDM25PH003BF222](#) [802027107404-1](#) [885030A09M010](#)  
[885030A09M020](#) [1200650174](#) [1200651332](#) [1200651713](#) [1200660171](#) [1200660208](#) [1200660343](#) [1200660804](#) [1200660845](#) [1200660926](#)  
[1200660977](#) [1200661173](#) [1200661354](#) [120066-1712](#) [1200720053](#) [1200720099](#) [1200720153](#) [1200720172](#) [1200720217](#) [1200720226](#)  
[1200720251](#) [1200720285](#) [1200720296](#) [1200720404](#) [1200730148](#) [1200730378](#) [1200800231](#) [1200860112](#) [1200860121](#) [1200860125](#)  
[1200860337](#) [1200860365](#) [1200860420](#) [1200870046](#) [1200870248](#) [1200980102](#) [1200660181](#) [1200660183](#) [1200660827](#) [1200660849](#)  
[1200661170](#) [1200661295](#)