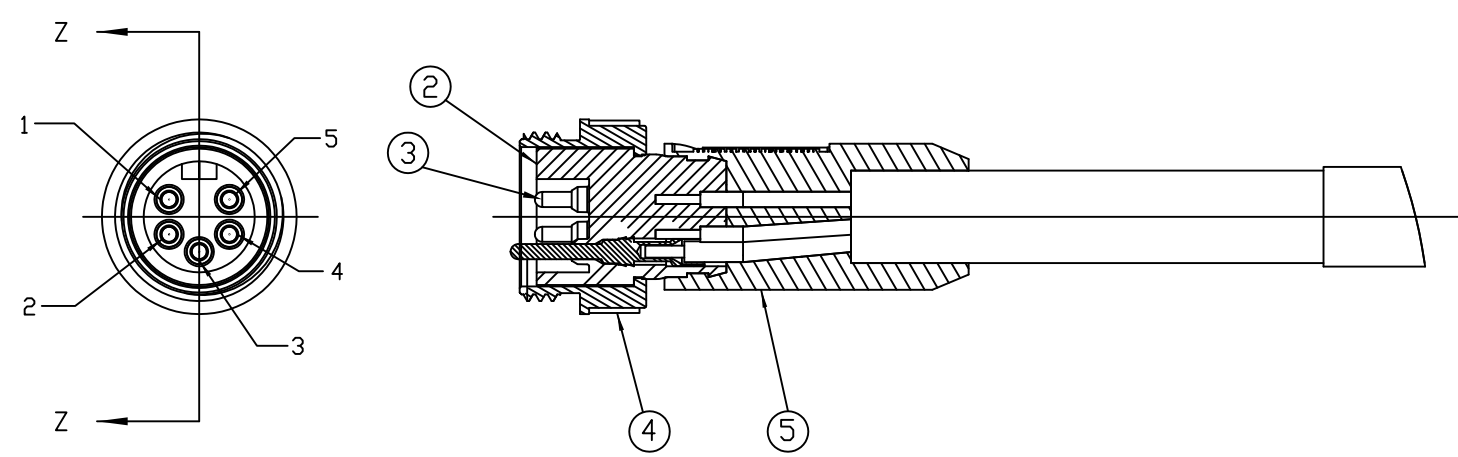
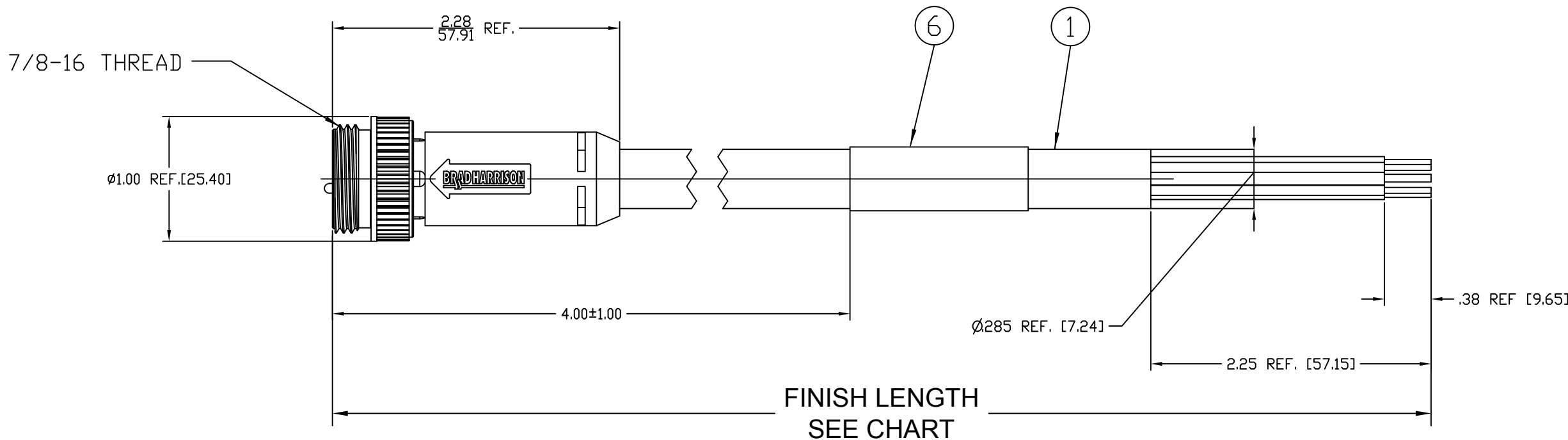
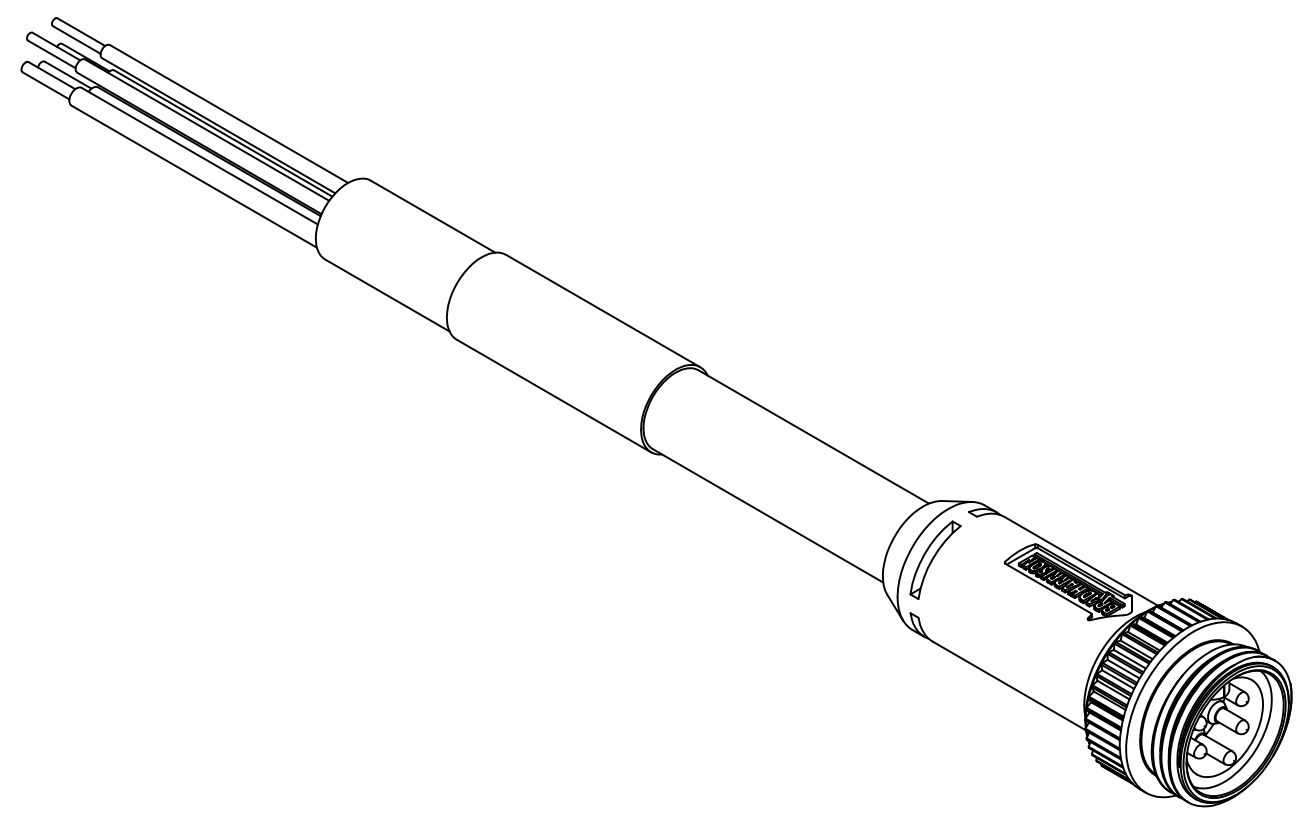


MATERIAL NUMBER	OLD PART NUMBER	FINISHED LENGTH (FT/M)	MATERIAL NUMBER	OLD PART NUMBER	FINISHED LENGTH (FT/M)
1300240188	DND01A-M003	.98' +.75" -0 [.3M +19.1 -0]	1300240198	DND01A-M100	32.81' +12.50" -0 [10M +317.5 -0]
1300240184	DND01A-0010	1.00' +.75" -0 [.31M +19.1 -0]	1300240199	DND01A-M120	39.37' +12.50" -0 [12.0M +317.5 -0]
1300240189	DND01A-M005	1.64' +1.75" -0 [.5M +44.5 -0]	1300240200	DND01A-M130	42.65' +12.50" -0 [13.0M +317.5 -0]
1300240191	DND01A-M010	3.28' +2.19" -0 [1.0M +55.6 -0]	1300240201	DND01A-M200	65.62' +24.50 -0 [20.0M +622.3 -0]
1300240192	DND01A-M020	6.56' +3.50" -0 [2.0M +88.9 -0]			
1300240193	DND01A-M030	9.84' +3.50" -0 [3.0M +88.9 -0]			
1300240194	DND01A-M040	13.12' +6.50" -0 [4.0M +165.1 -0]			
1300240195	DND01A-M050	16.40' +6.50" -0 [5.0M +165.1 -0]			
1300240196	DND01A-M060	19.69' +6.50" -0 [6.0M +165.1 -0]			
1300240197	DND01A-M080	26.25' +12.50" -0 [8.0M +317.5 -0]			



P1	DESCRIPTION
1	DRAIN
2	RED +V
3	BLACK -V
4	WHITE CAN H
5	BLUE CAN L

WIRING DIAGRAM

- NOTES:
1. MATERIAL: SEE TABLE
 2. FINISHES: SEE TABLE
 3. CABLE ASSEMBLIES ARE BAGGED SEPERATELY IN POLY BAGS WITH BARCODE LABEL ATTACHED TO OUTSIDE OF BAG
 4. WRAP LABEL IS MARKED WITH P/N, DATE CODE VOLTAGE & AMPERAGE
 5. MATES WITH: MINI CHANGE, A-SIZE 5 POLE RECEPTACLE
 6. ELECTRICAL SPECIFICATIONS:
VOLTAGE RATING: 300V
CURRENT RATING: 4 AMPS
 7. ASSEMBLY IS RoHS COMPLIANT

ITEM	QTY.	DESCRIPTION	MATERIAL	FINISH
6	1	LABEL	PLASTIC FILM	BLACK/YELLOW
5	1	OVERMOLD	PVC	GRAY
4	1	COUPLING NUT	ZINC DIE CAST	BLACK
3	5	CONTACT PIN, 22 AWG	BRASS	GOLD PLATED
2	1	INSERT, MALE, 5 POLE	PVC	GRAY
1	1	CABLE, DEV-NET, DROP, 22/4AWG W/DRAIN	PVC JACKET	GRAY

RELEASE EC NO: WNA2010-0508 DRWN: BWOODMAN 2/10/10 CH'KD: TW APPR: JFMURPHY 2010/03/29	DESCRIPTION REV	QUALITY SYMBOL ▽=0 ◁=0	GENERAL TOLERANCES (UNLESS SPECIFIED) <table border="1"> <thead> <tr> <th></th> <th>mm</th> <th>INCH</th> </tr> </thead> <tbody> <tr> <td>4 PLACES</td> <td>±---</td> <td>±---</td> </tr> <tr> <td>3 PLACES</td> <td>±---</td> <td>±.005</td> </tr> <tr> <td>2 PLACES</td> <td>±0.13</td> <td>±.010</td> </tr> <tr> <td>1 PLACE</td> <td>±0.25</td> <td>±.020</td> </tr> </tbody> </table>		mm	INCH	4 PLACES	±---	±---	3 PLACES	±---	±.005	2 PLACES	±0.13	±.010	1 PLACE	±0.25	±.020	DIMENSION STYLE IN/MM DRAWN BY: _____ DATE: _____ CHECKED BY: _____ DATE: _____ APPROVED BY: JFMURPHY 2010/03/29	SCALE: 1:1 DESIGN UNITS: INCH THIRD ANGLE PROJECTION
			mm	INCH																
		4 PLACES	±---	±---																
		3 PLACES	±---	±.005																
2 PLACES	±0.13	±.010																		
1 PLACE	±0.25	±.020																		
DRAFT WHERE APPLICABLE MUST REMAIN WITHIN DIMENSIONS			MATERIAL NO. SEE CHART SIZE C	TITLE: MINICHANGE DEVICE NET 5-POLE MALE ST DROP 22/4AWG W/DRIAN GRAY PVC MOLEX INCORPORATED DOCUMENT NO. SD-130024-090 SHEET NO. 1 OF 1																
THIS DRAWING CONTAINS INFORMATION THAT IS PROPRIETARY TO MOLEX INCORPORATED AND SHOULD NOT BE USED WITHOUT WRITTEN PERMISSION																				

X-ON Electronics

Largest Supplier of Electrical and Electronic Components

Click to view similar products for [D-Sub Micro-D Connectors](#) category:

Click to view products by [Molex](#) manufacturer:

Other Similar products are found below :

[003626](#) [025-1227-000](#) [0685610016](#) [0688014147](#) [0688014227](#) [07190-SP036](#) [0745461602](#) [0751341000](#) [0795762102](#) [0797580009](#)
[0834249014](#) [0836129020](#) [0836129024](#) [0836199011](#) [0887329200](#) [0897613412](#) [0923150410](#) [0923150615](#) [0923151609](#) [0923171036](#) [094-](#)
[0116-2007](#) [094-6135-0000](#) [094-6136-0000](#) [094-6235-0000](#) [094-6335-0000](#) [094-6435-0000](#) [094-6535-0000](#) [094-6635-0000](#) [094-6636-0000](#)
[094-6735-0000](#) [094-6935-0000](#) [094-6936-0000](#) [095-0605-2053](#) [095-0607-2055](#) [095479-0007](#) [095480-0011](#) [096510-0306](#) [09651226803](#)
[096513-0002](#) [096516-0222](#) [098-9027-0029](#) [10090930-P150ALF](#) [100RC21SCBR1](#) [100RC31SCBRP2](#) [100RC37PC6P1](#) [100RN31P-C6PT2](#)
[10114-3000PE](#) [10114-6000EC](#) [10114-6000EL](#) [10120-3000PE](#)