

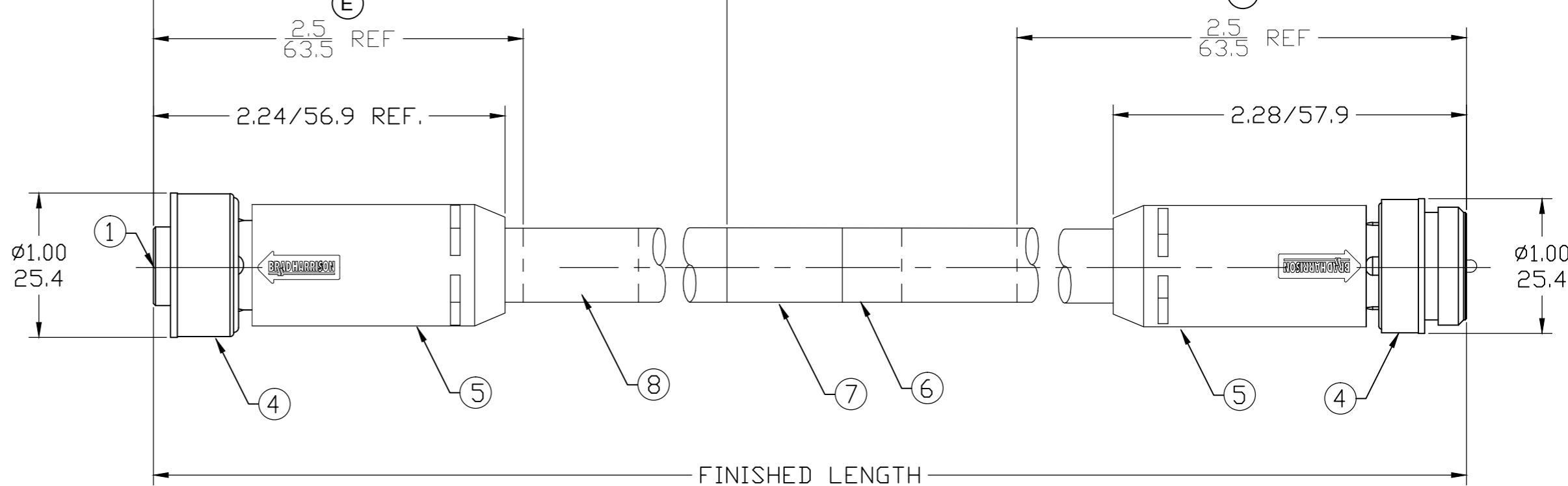
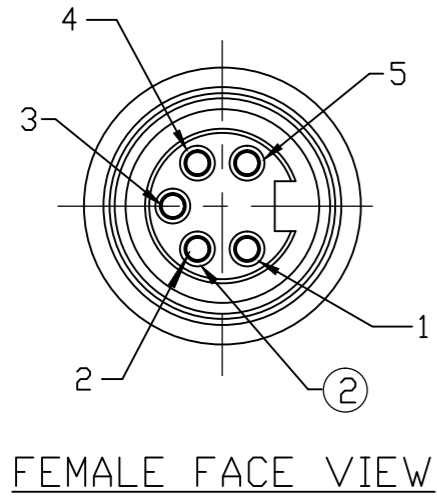
6 5 4 3 2 1

PART LIST

MOLEX PN	ENGINEERING NO.	LENGTH + TOL.[mm]	MOLEX PN	ENGINEERING NO.	LENGTH + TOL.[mm]
1300240329	DN11A-M650	65000 + 1300	1300250114	DN11A-M350	35000 + 700
1300250051	DN11A-M005	500 + 45	1300250117	DN11A-M400	40000 + 800
1300250054	DN11A-M010	1000 + 56	1300250119	DN11A-M450	45000 + 900
1300250058	DN11A-M015	1500 + 56	1300250122	DN11A-M500	50000 + 1000
1300250061	DN11A-M020	2000 + 89	1300250128	DN11A-M750	75000 + 1500
1300250067	DN11A-M030	3000 + 89	1300250649	DN11A-M005H	500 + 45
1300250071	DN11A-M040	4000 + 165	1300250652	DN11A-M050H	5000 + 165
1300250073	DN11A-M050	5000 + 165	1300250654	DN11A-M060H	6000 + 165
1300250076	DN11A-M060	6000 + 165			
1300250079	DN11A-M070	7000 + 165			
1300250081	DN11A-M080	8000 + 317			
1300250083	DN11A-M090	9000 + 317			
1300250085	DN11A-M100	10000 + 317			
1300250087	DN11A-M120	12000 + 317			
1300250090	DN11A-M130	13000 + 317			
1300250091	DN11A-M140	14000 + 317			
1300250092	DN11A-M150	15000 + 610			
1300250095	DN11A-M180	18000 + 610			
1300250097	DN11A-M200	20000 + 610			
1300250099	DN11A-M210	21000 + 610			
1300250102	DN11A-M240	24000 + 610			
1300250103	DN11A-M250	25000 + 610			
1300250105	DN11A-M270	27000 + 610			
1300250108	DN11A-M300	30000 + 610			

SYMBOLS	THIS DRAWING CONTAINS INFORMATION THAT IS PROPRIETARY TO MOLEX ELECTRONIC TECHNOLOGIES, LLC AND SHOULD NOT BE USED WITHOUT WRITTEN PERMISSION		CURRENT REV DESC:		molex			
	DIMENSION UNITS	SCALE						
∇ = 0	mm	1:1	EC NO: 604208 DRWN: MKOWALCZYK01 2018/09/07 CHK'D: MMATLA 2018/09/11 APPR: MMATLA 2018/09/11		CSE MC 5P FE STR PVC MA STR 25M DE PRODUCT CUSTOMER DRAWING			
∇ = 0	GENERAL TOLERANCES (UNLESS SPECIFIED)							
∇ = 0	ANGULAR TOL ± °							
∇ = 0	4 PLACES ±							
∇ = 0	3 PLACES ±		INITIAL REVISION:		DOCUMENT NUMBER 1300250051			
∇ = 0	2 PLACES ± 0.05							
∇ = 0	1 PLACE ± 0.3		DRWN: MKOWALCZYK01 2018/09/07 APPR: MMATLA 2018/09/11		DOC TYPE	DOC PART	REVISION	
∇ = 0	0 PLACES ± 0.5				PSD	000	A	
∇ = 0	DRAFT WHERE APPLICABLE MUST REMAIN WITHIN DIMENSIONS		THIRD ANGLE PROJECTION	DRAWING	SERIES	MATERIAL NUMBER	CUSTOMER	SHEET NUMBER
∇ = 0				A4-SIZE	130025	SEE PART LIST	GENERAL MARKET	2 OF 2

6 5 4 3 2 1



SCHEMATIC

- 1 - DRAIN
- 2 - V+
- 3 - V-
- 4 - CAN_H
- 5 - CAN_L

NOTES:

1. MATERIAL: AS NOTED
2. FINISH: AS NOTED
3. ELECTRICAL:
VOLTAGE RATING PER IEC 60664: 300V
VOLTAGE RATING PER UL: 300V
CURRENT: 8A
4. TEMP RATING: -25° TO +80°C
5. PROTECTION: IP67 (WHEN MATED)
6. COUPLING THREAD: 7/8-16
7. AGENCY:
UL RECOGNIZED, FILE: E152210
CSA CERTIFICATION FILE: LR6837
8. ALL DIMS ARE FOR REFERENCE UNLESS NOTED OTHERWISE
9. PART NUMBERS WITH "H" HAVE TWO ID MARKERS ONE ON EACH

ITEM	COMPONENT	MATERIAL	FINISH
1	INSERTS	PVC	GRAY
2	CONTACT SOCKET	COPPER ALLOY	GOLD OVER NICKEL
3	CONTACT PIN	COPPER ALLOY	GOLD OVER NICKEL
4	COUPLING NUTS	ZINC DIE CAST	BLACK E-COATED
5	OVERMOLDS	PVC	GRAY
6	CABLE-DEVICENET THICK CABLE 2/15 & 2/18 SHIELD PAIR	PVC	GRAY
7	LABEL	VINYL	BLACK/YELLOW
8	ID CARRIER	PVC	CLEAR

ADD ID MARKERS EC NO: IPG2018-0458 DRWN: MZIELINS 2018/04/10 CH'KD: --- APPR: BWOODMAN	DESCRIPTION REV	QUALITY SYMBOL	GENERAL TOLERANCES (UNLESS SPECIFIED)		DIMENSION STYLE INCH/MM	
		$\nabla = 0$ $\nabla C = 0$	4 PLACES	mm	INCH	DRAWN BY DATE
			3 PLACES	mm	INCH	TWOLDEGE 2011/05
			2 PLACES	mm	INCH	CHECKED BY DATE
	1 PLACE	mm	INCH	VOU		
			ANGULAR \pm ---°		APPROVED BY DATE	
			DRAFT WHERE APPLICABLE MUST REMAIN WITHIN DIMENSIONS		MATERIAL NO. SEE CHART	
					SIZE C THIS DRAWING INCORPORATED	

X-ON Electronics

Largest Supplier of Electrical and Electronic Components

Click to view similar products for [D-Sub Micro-D Connectors](#) category:

Click to view products by [Molex](#) manufacturer:

Other Similar products are found below :

[003626](#) [025-1227-000](#) [0685610016](#) [0688014147](#) [0688014227](#) [07190-SP036](#) [0745461602](#) [0751341000](#) [0795762102](#) [0797580009](#)
[0834249014](#) [0836129020](#) [0836129024](#) [0836199011](#) [0887329200](#) [0897613412](#) [0923150410](#) [0923150615](#) [0923151609](#) [0923171036](#) [094-](#)
[0116-2007](#) [094-6135-0000](#) [094-6136-0000](#) [094-6235-0000](#) [094-6335-0000](#) [094-6435-0000](#) [094-6535-0000](#) [094-6635-0000](#) [094-6636-0000](#)
[094-6735-0000](#) [094-6935-0000](#) [094-6936-0000](#) [095-0605-2053](#) [095-0607-2055](#) [095479-0007](#) [095480-0011](#) [096510-0306](#) [09651226803](#)
[096513-0002](#) [096516-0222](#) [098-9027-0029](#) [10090930-P150ALF](#) [100RC21SCBR1](#) [100RC31SCBRP2](#) [100RC37PC6P1](#) [100RN31P-C6PT2](#)
[10114-3000PE](#) [10114-6000EC](#) [10114-6000EL](#) [10120-3000PE](#)