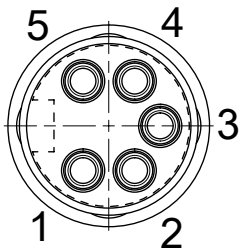


A-SIZE 5 POLE FEMALE



PIN	WIRE COLOR
1	DRAIN
2	RED
3	BLACK
4	WHITE
5	BLUE

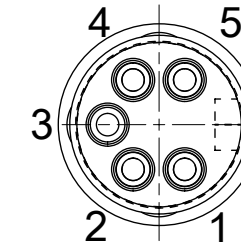
VIEW FROM THE WIRE SIDE

MOLEX PN	ENGINEERING No	FINISHED LENGTH
1300250283	DND11A-M003	11.8 IN (0.3 M)
1300250302	DND11A-M100	32 FT 9.7 IN (10.0 M)
1300250308	DND11A-M240	78 FT 8.9 IN (24.0 M)

(C1)

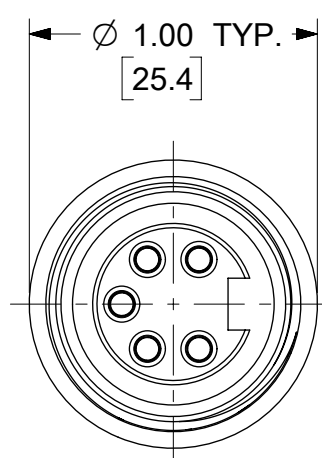
CABLE LENGTH TOLERANCES
 <.3M [1FT]: +19mm-0 [+0.75in-0]
 .3 - .9M [1 - 3FT]: +44.5mm-0 [+1.75in-0]
 .9 - 1.8M [3 - 6FT]: +55.6mm-0 [+2.19in-0]
 1.8 - 3.7M [6 - 12FT]: +88.9mm-0 [+3.50in-0]
 3.7 - 7.3M [12 - 24FT]: +165.1mm-0 [+6.50in-0]
 7.3-14.6M [24 - 48FT]: +317.5mm-0 [+12.50in-0]
 14.6 - 30.5M [48-100FT]: +622.3mm-0 [+24.50in-0]
 OVER 30M [100FT] +2% OF FINISHED LENGTH

A-SIZE 5 POLE MALE

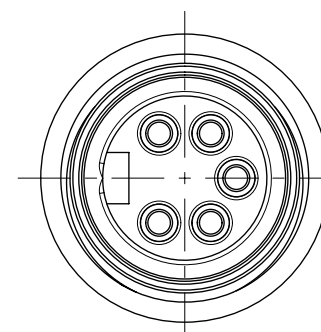
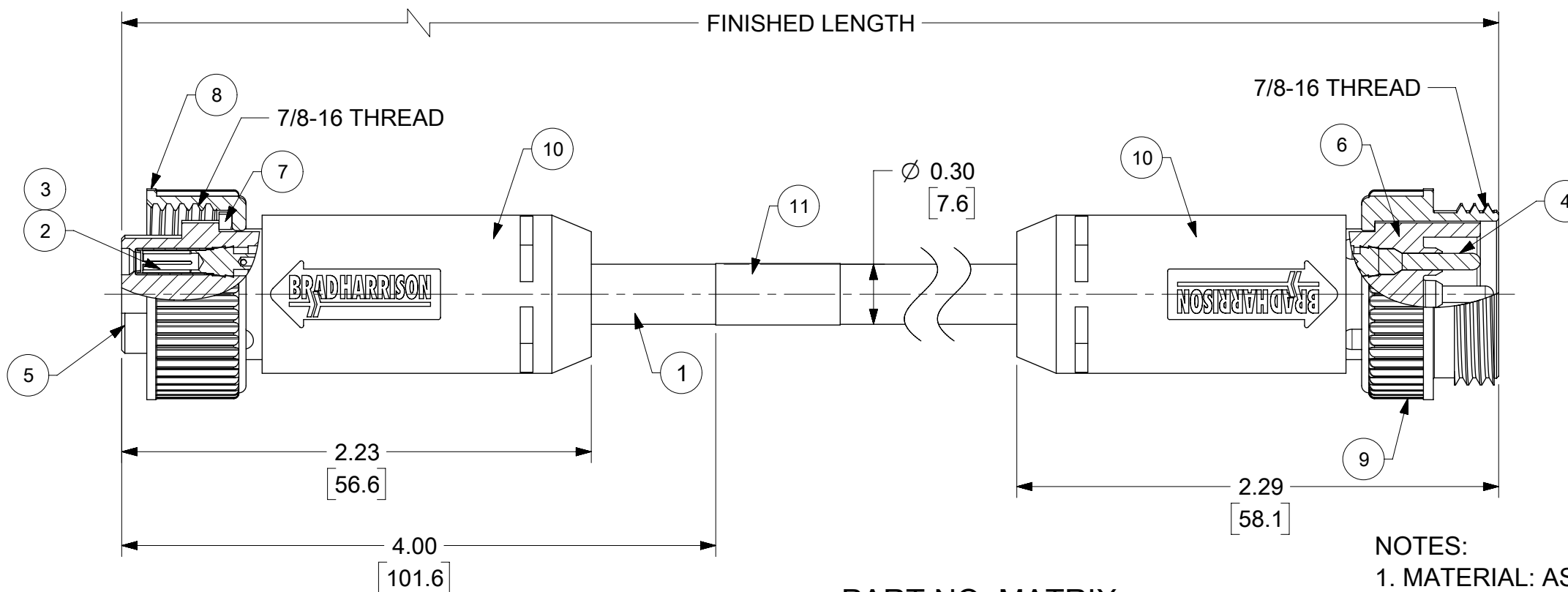


PIN	WIRE COLOR
1	DRAIN
2	RED
3	BLACK
4	WHITE
5	BLUE

VIEW FROM THE WIRE SIDE



FEMALE FACE VIEW



MALE FACE VIEW

PART NO. MATRIX
 DND11A-M010

FINISHED LENGTH
 M005= 0.5 METER
 M010= 1 METER
 M100= 10 METER

NOTES:

1. MATERIAL: AS NOTED
2. FINISH: AS NOTED
3. ELECTRICAL SPECIFICATIONS
 VOLTAGE RATING: 300V PER IEC60664
 300V PER UL2238
 CURRENT RATING: 4A
4. TEMP RANGE: -20°C TO +80°C
5. PROTECTION: IP67 (WHEN MATED)
6. UL RECOGNIZED FILE: E152210
 CSA CERTIFICATION FILE: LR6837
7. ALL DIMS ARE FOR REFERENCE UNLESS TOLERANCED OR NOTED OTHERWISE

ITEM	DESCRIPTION	MATERIAL	FINISH
11	LABEL	VINYL	BLACK/YELLOW
10	OVERMOLD	TPE	GRAY
9	COUPLING NUT, MALE THREAD	ZINC DIE CAST	BLACK E-COAT
8	COUPLING NUT, FEMALE THREAD	ZINC DIE CAST	BLACK E-COAT
7	FRICTION RING	NYLON	WHITE
6	INSERT 5P MALE	TPE	GRAY
5	INSERT 5P FEMALE	TPE	GRAY
4	CONTACT PIN, 22 AWG	BRASS	GOLD PLATED
3	SOCKET SLEEVE	ST. STEEL	-
2	CONTACT SOCKET, 22 AWG	BRASS	GOLD PLATED
1	CABLE- THIN-STD, DEV-NET, DROP, 4/22	PVC JACKET	GRAY

FUNCTIONAL SYMBOLS	THIS DRAWING CONTAINS INFORMATION THAT IS PROPRIETARY TO MOLEX ELECTRONIC TECHNOLOGIES, LLC AND SHOULD NOT BE USED WITHOUT WRITTEN PERMISSION	<p>molex</p> MINI-CHANGE CORDSET M/F STR/STR DEV-NET DROP CABLE (THIN) PRODUCT CUSTOMER DRAWING
	EC NO: 650829 DRWN: RSTONE 2020/12/07 CHK'D: CCHRASKA 2020/12/07 APPR: BWOODMAN 2020/12/08	
DIMENSION UNITS: INCH/MM SCALE: 3:2 CURRENT REV DESC: CORRECT FINISHED LENGTH FOR P/N 1300250283, WAS 3 METERS	GENERAL TOLERANCES (UNLESS SPECIFIED) ANGULAR TOL ± °	DOCUMENT NUMBER: SD-130025-019 DOC TYPE: PSD DOC PART: 001 REVISION: C1
DIVISIONAL SYMBOLS 4 PLACES ± 3 PLACES ± 2 PLACES ± 1 PLACE ± 0 PLACES ±	INITIAL REVISION: DRWN: RSTONE 2009/07/31 APPR: JFMURPHY 2009/08/10	MATERIAL NUMBER: SEE TABLE CUSTOMER: GENERAL MARKET SHEET NUMBER: 1 OF 1
DRAFT WHERE APPLICABLE MUST REMAIN WITHIN DIMENSIONS	THIRD ANGLE PROJECTION	DRAWING: A3-SIZE SERIES: 130025

X-ON Electronics

Largest Supplier of Electrical and Electronic Components

Click to view similar products for [Sensor Cables / Actuator Cables](#) category:

Click to view products by [Molex](#) manufacturer:

Other Similar products are found below :

[60963](#) [60964](#) [703000D02F2002](#) [703001D02F0602](#) [703001D02F300](#) [704000D02F120](#) [773032K02F030](#) [802027107404-1](#) [802027213811-1](#)
[804001A09M150](#) [805001A09M0502](#) [84914-0235](#) [84914-0237](#) [885030A09M020](#) [8R4J30E03C3003](#) [1200651332](#) [1200651713](#) [1200660844](#)
[1200660845](#) [1200661173](#) [1200680071](#) [1200720053](#) [1200720081](#) [1200720099](#) [1200720217](#) [1200800231](#) [1200860125](#) [1200870123](#)
[1200980102](#) [1200650267](#) [1200650298](#) [1200660183](#) [1200660782](#) [1200660849](#) [1200661295](#) [1200661297](#) [1200661342](#) [1200661343](#)
[1200670080](#) [1200670220](#) [1200680331](#) [1200720252](#) [1200730184](#) [1200860344](#) [1200870359](#) [1200870643](#) [1200980008](#) [1200980031](#)
[1210502211](#) [1210400542](#)