

MATERIAL NO.	ENGINEERING NO.	FINISHED LENGTH
1300250501	DNDF11A-M002	7.9 IN (0.2M)
1300250510	DNDF11A-M100	32 FT 9.7 IN (10M)
1300250549	DNDF11A-M200	65 FT 7.4 IN (20M)

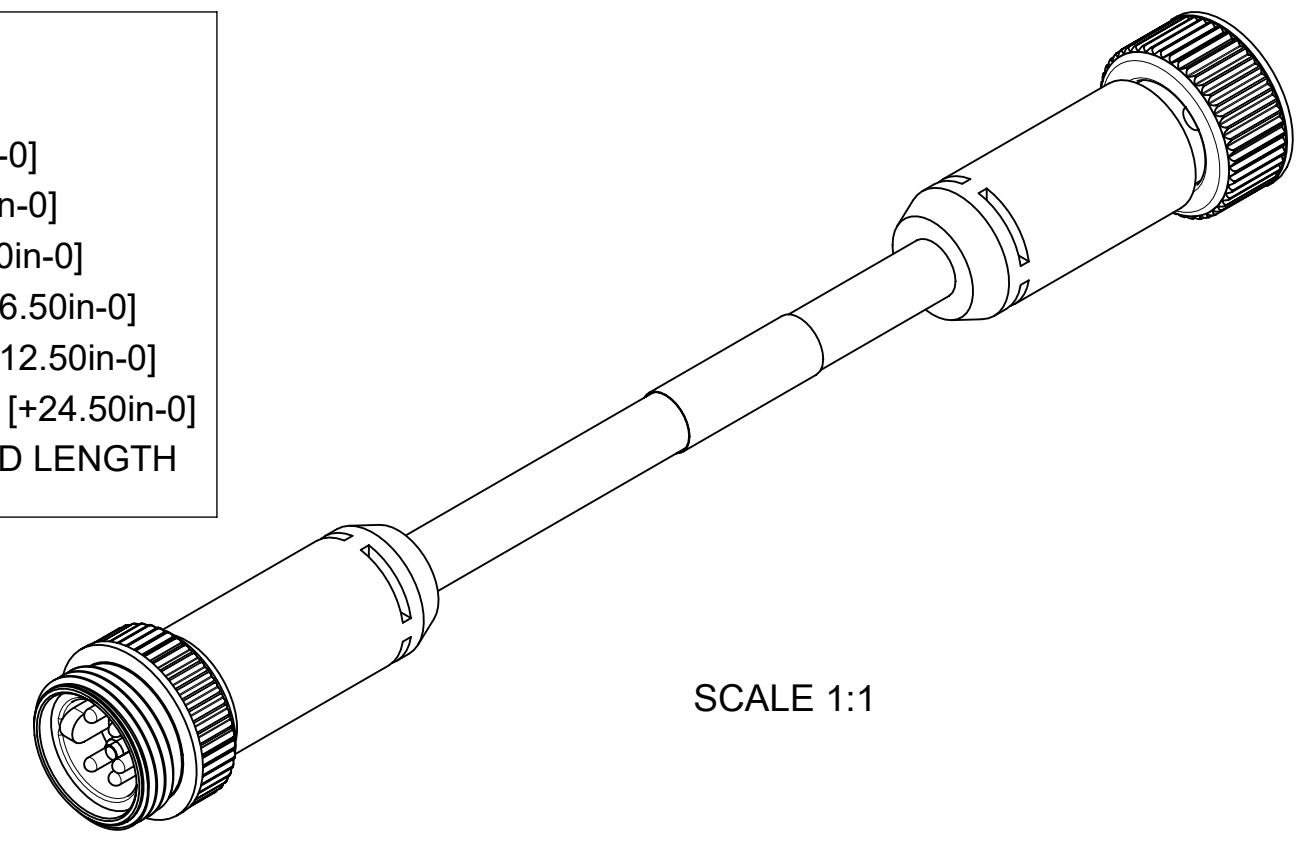
- NOTES:
1. MATERIAL: SEE TABLE
  2. FINISH: SEE TABLE
  3. ELECTRICAL SPECIFICATIONS  
VOLTAGE RATING PER IEC60664: 300V  
VOLTAGE RATING PER UL2238: 300V  
CURRENT RATING: 4 AMPS
  4. TEMP RANGE: -20°C TO +80°C
  5. PROTECTION: IP67 (WHEN MATED)
  6. CSA CERTIFIED FILE: LR6837
  7. ALL DIMS ARE FOR REFERENCE UNLESS TOLERANCED OR NOTED OTHERWISE

PART NO. MATRIX  
DNDF11A-M010

FINISHED LENGTH  
M005= 0.5 METER  
M010= 1 METER  
M100= 10 METER

CABLE LENGTH TOLERANCES

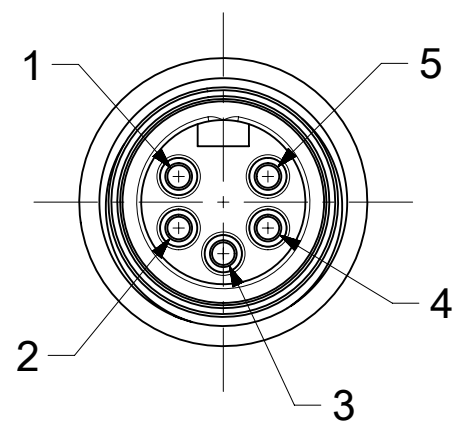
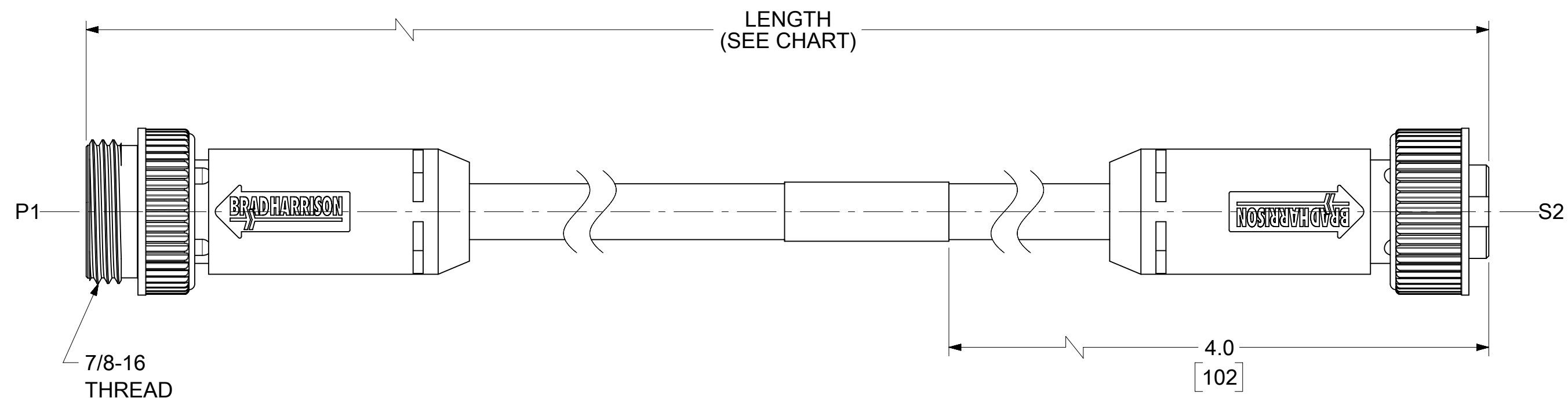
<.3M [1FT]:	+19mm-0 [+.75in-0]
.3 - .9M [1 - 3FT]:	+44.5mm-0 [+1.75in-0]
.9 - 1.8M [3 - 6FT]:	+55.6mm-0 [+2.19in-0]
1.8 - 3.7M [6 - 12FT]:	+88.9mm-0 [+3.50in-0]
3.7 - 7.3M [12 - 24FT]:	+165.1mm-0 [+6.50in-0]
7.3-14.6M [24 - 48FT]:	+317.5mm-0 [+12.50in-0]
14.6 - 30.5M [48-100FT]:	+622.3mm-0 [+24.50in-0]
OVER 30M [100FT]	+2% OF FINISHED LENGTH



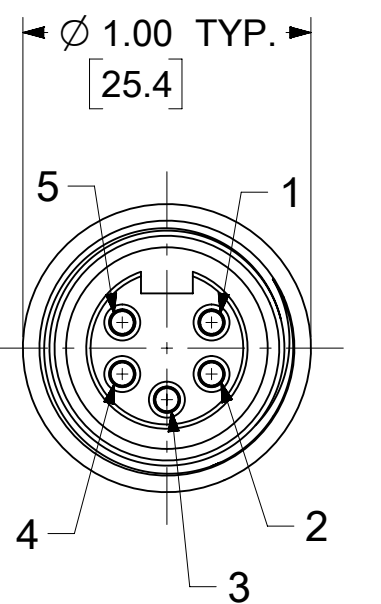
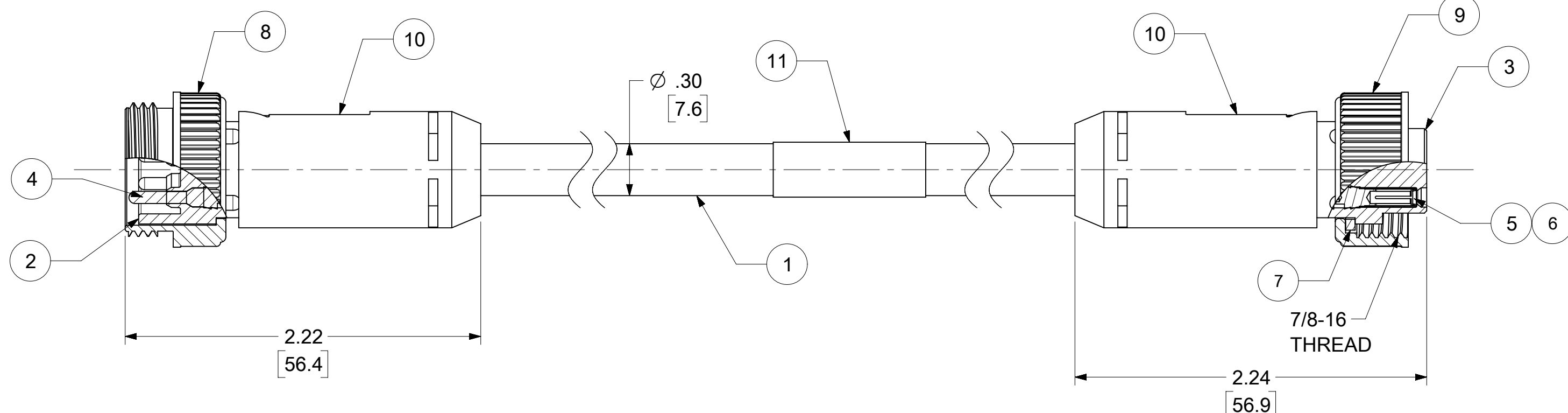
SCALE 1:1

WIRING DIAGRAM

P1		S2
1	DRAIN	1
2	RED +V	2
3	BLACK -V	3
4	WHITE CAN H	4
5	BLUE CAN L	5



MALE FACE VIEW



FEMALE FACE VIEW

11	LABEL	VINYL	BLACK/YELLOW
10	OVERMOLD	TPE	GRAY
9	COUPLING NUT, FEMALE THREAD	ZINC DIE CAST	BLACK E-COAT
8	COUPLING NUT, MALE THREAD	ZINC DIE CAST	BLACK E-COAT
7	FRICION RING	NYLON	NATURAL
6	CONTACT SOCKET, 22 AWG	COPPER ALLOY	SELECTIVE GOLD/NICKEL
5	SOCKET SLEEVE	ST. STEEL	
4	CONTACT PIN, 22 AWG	COPPER ALLOY	SELECTIVE GOLD/NICKEL
3	INSERT, FEMALE, 5 POLE	TPE	GRAY
2	INSERT, MALE, 5 POLE	TPE	GRAY
1	CABLE - THIN. DEV-NET, DROP, HI-FLEX, 4/22	TPE JACKET	GRAY
ITEM	DESCRIPTION	MATERIAL	FINISH

FUNCTIONAL SYMBOLS	THIS DRAWING CONTAINS INFORMATION THAT IS PROPRIETARY TO MOLEX ELECTRONIC TECHNOLOGIES, LLC AND SHOULD NOT BE USED WITHOUT WRITTEN PERMISSION		
	DIMENSION UNITS	SCALE	CURRENT REV DESC: ITEM 2, 3, & 10 WERE PVC, ADDED CSA & MODIFIED TEMPERATURE, MATERIAL TABLE & CURRENT.
	$\frac{F}{A} = 0$	INCH/MM 1.5:1	
	$\frac{F}{C} = 0$	GENERAL TOLERANCES (UNLESS SPECIFIED)	
DIVISIONAL SYMBOLS	4 PLACES	±	EC NO: 648668
	3 PLACES	±	DRWN: VASUTHKARP 2020/05/25
	2 PLACES	±	CHK'D: RSTONE 2020/11/11
	1 PLACE	±	APPR: BWOODMAN 2020/11/18
0 PLACES	±	INITIAL REVISION:	
ANGULAR TOL	± °	DRWN: RSTONE 2009/07/31	
DRAFT WHERE APPLICABLE MUST REMAIN WITHIN DIMENSIONS	THIRD ANGLE PROJECTION	APPR: JFMURPHY 2009/08/10	
	DRAWING	SERIES	DOCUMENT NUMBER
	C-SIZE	130025	SD-130025-020
			CUSTOMER
			GENERAL MARKET
			SHEET NUMBER
			1 OF 1

## X-ON Electronics

Largest Supplier of Electrical and Electronic Components

*Click to view similar products for [Sensor Cables / Actuator Cables](#) category:*

*Click to view products by [Molex](#) manufacturer:*

Other Similar products are found below :

[60963](#) [60964](#) [M83513/19-F01CP](#) [703000D02F2002](#) [703001D02F0602](#) [703001D02F300](#) [704000D02F120](#) [773032K02F030](#) [802027107404-1](#)  
[802027213811-1](#) [804001A09M150](#) [805001A09M0502](#) [84914-0235](#) [84914-0237](#) [885030A09M020](#) [8R4J30E03C3003](#) [1200651332](#)  
[1200651713](#) [1200660844](#) [1200660845](#) [1200661173](#) [1200680071](#) [1200720053](#) [1200720081](#) [1200720099](#) [1200720217](#) [1200800231](#)  
[1200860125](#) [1200870123](#) [1200980102](#) [1200650267](#) [1200650298](#) [1200660183](#) [1200660782](#) [1200660849](#) [1200661295](#) [1200661297](#)  
[1200661342](#) [1200661343](#) [1200670080](#) [1200670220](#) [1200680331](#) [1200720252](#) [1200730184](#) [1200860344](#) [1200870359](#) [1200870643](#)  
[1200980008](#) [1200980031](#) [1210502211](#)