

PART NUMBER	ENGINEERING NO.	FINISHED LENGTH
1300270012	DND02A-M010	3' 3" [1M]
1300270014	DND02A-M020	6' 7" [2M]
1300270015	DND02A-M030	9' 10" [3M]
1300270016	DND02A-M040	13' 1" [4M]
1300270017	DND02A-M050	16' 5" [5M]

ⓑ CABLE LENGTH TOLERANCES

>.3M [1FT]: +19mm-0 [+.75in-0]

.3 - .9M [1 - 3FT]: +44.5mm-0 [+1.75in-0]

.9 - 1.8M [3 - 6FT]: +55.6mm-0 [+2.19in-0]

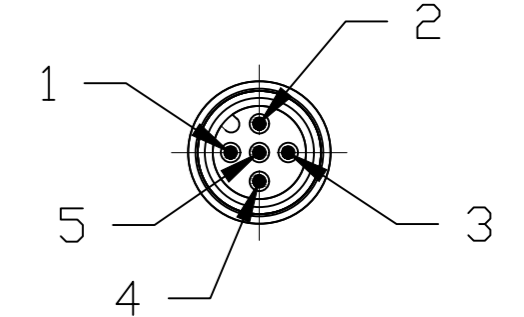
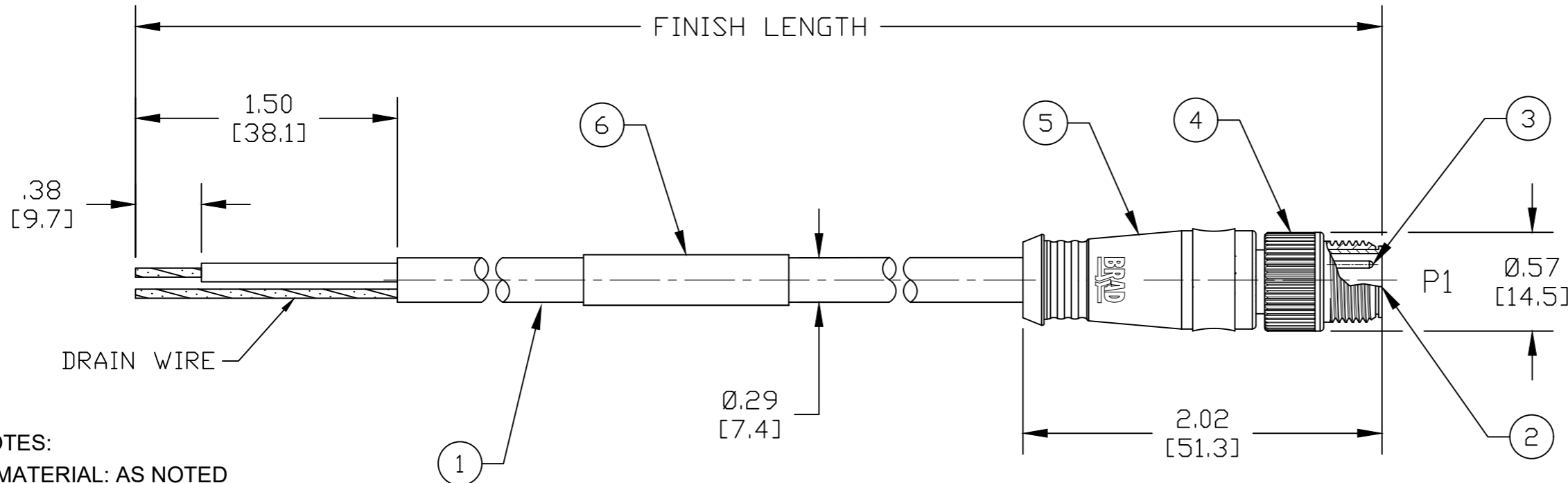
1.8 - 3.7M [6 - 12FT]: +88.9mm-0 [+3.50in-0]

3.7 - 7.3M [12 - 24FT]: +165.1mm-0 [+6.50in-0]

7.3-14.6M [24 - 48FT]: +317.5mm-0 [+12.50in-0]

14.6 - 30.5M [48-100FT]: +622.3mm-0 [+24.50in-0]

OVER 30M [100FT] +2% OF FINISHED LENGTH

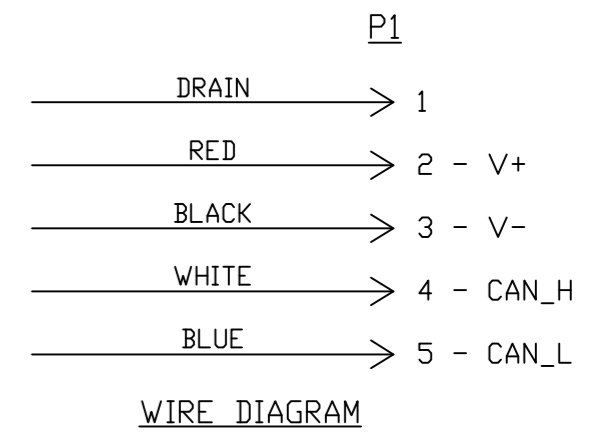


- ⓑ NOTES:**
- MATERIAL: AS NOTED
 - FINISH: AS NOTED
 - ELECTRICAL:
VOLTAGE: 250V
CURRENT: 4A
 - TEMP RATING: -20°C TO +80°C
 - PROTECTION: IP67 (WHEN MATED)
 - COUPLING THREAD: M12 X 1.0
 - UL LISTED FILE: E152210
CSA CERTIFIED: LR6837
 - ALL DIMS ARE FOR REFERENCE UNLESS TOLERANCED OR NOTED OTHERWISE

ⓑ PART NUMBER LEGEND

DND02A-M010

FINISHED LENGTH:
M005= 0.5 METER
M010= 1.0 METER
M100= 10.0 METERS



ITEM	DESCRIPTION	MATERIAL	FINISH
6	LABEL	VINYL	BLACK/YELLOW
5	OVERMOLD	TPC ⓑ	GRAY
4	M12 COUPLING NUT	ZINC DIE-CAST	BLACK
3	CONTACT PIN	COPPER ALLOY	GOLD PLATED
2	INSERT, 5P MALE	NYLON	BLACK
1	DEVICENET DROP CABLE, 22 AWG	PVC JACKET	GRAY

FUNCTIONAL SYMBOLS				THIS DRAWING CONTAINS INFORMATION THAT IS PROPRIETARY TO MOLEX ELECTRONIC TECHNOLOGIES, LLC AND SHOULD NOT BE USED WITHOUT WRITTEN PERMISSION			
DIMENSION UNITS		SCALE		CURRENT REV DESC: ADD P/NS TO TABLE, UPDATE NOTES, ADD CABLE LENTH TOLS. & P/N LEGEND, O-MOLD WAS PVC, UPDATE BORDER			
INCH/MM		1:1		molex MICRO-CHANGE DEVICE-NET CABLE ASSY MALE, M12, STRAIGHT, 22AWG PVC			
GENERAL TOLERANCES (UNLESS SPECIFIED)							
4 PLACES		±----	±----	EC NO: 643410 DRWN: RSTONE 2020/08/14 CHK'D: CCHRSTKA 2020/08/17 APPR: BWOODMAN 2020/08/17			
3 PLACES		±----	±0.005				
2 PLACES		±----	±0.01	INITIAL REVISION: DRWN: VOU 2009/07/30 APPR: JFMURPHY 2009/08/10			
1 PLACE		±----	±0.02				
0 PLACES		±----	±----	DOCUMENT NUMBER: SD-130027-001 DOC TYPE: PSD DOC PART: 001 REVISION: B			
ANGULAR TOL ± 0.5 °							
DRAFT WHERE APPLICABLE MUST REMAIN WITHIN DIMENSIONS		THIRD ANGLE PROJECTION		DRAWING		SERIES	
		B-SIZE		130027		MATERIAL NUMBER	
				SEE P/N LEGEND		CUSTOMER	
				GENERAL MARKET		SHEET NUMBER	
						1 OF 1	

X-ON Electronics

Largest Supplier of Electrical and Electronic Components

Click to view similar products for [Sensor Cables / Actuator Cables](#) category:

Click to view products by [Molex](#) manufacturer:

Other Similar products are found below :

[60963](#) [60964](#) [703000D02F2002](#) [703001D02F0602](#) [703001D02F300](#) [704000D02F120](#) [773032K02F030](#) [802027107404-1](#) [802027213811-1](#)
[804001A09M150](#) [805001A09M0502](#) [84914-0235](#) [84914-0237](#) [885030A09M020](#) [8R4J30E03C3003](#) [1200651332](#) [1200651713](#) [1200660844](#)
[1200660845](#) [1200661173](#) [1200680071](#) [1200720053](#) [1200720081](#) [1200720099](#) [1200720217](#) [1200800231](#) [1200860125](#) [1200870123](#)
[1200980102](#) [1200650267](#) [1200650298](#) [1200660183](#) [1200660782](#) [1200660849](#) [1200661295](#) [1200661297](#) [1200661342](#) [1200661343](#)
[1200670080](#) [1200670220](#) [1200680331](#) [1200720252](#) [1200730184](#) [1200860344](#) [1200870359](#) [1200870643](#) [1200980008](#) [1200980031](#)
[1210502211](#) [1210400542](#)