

6

5

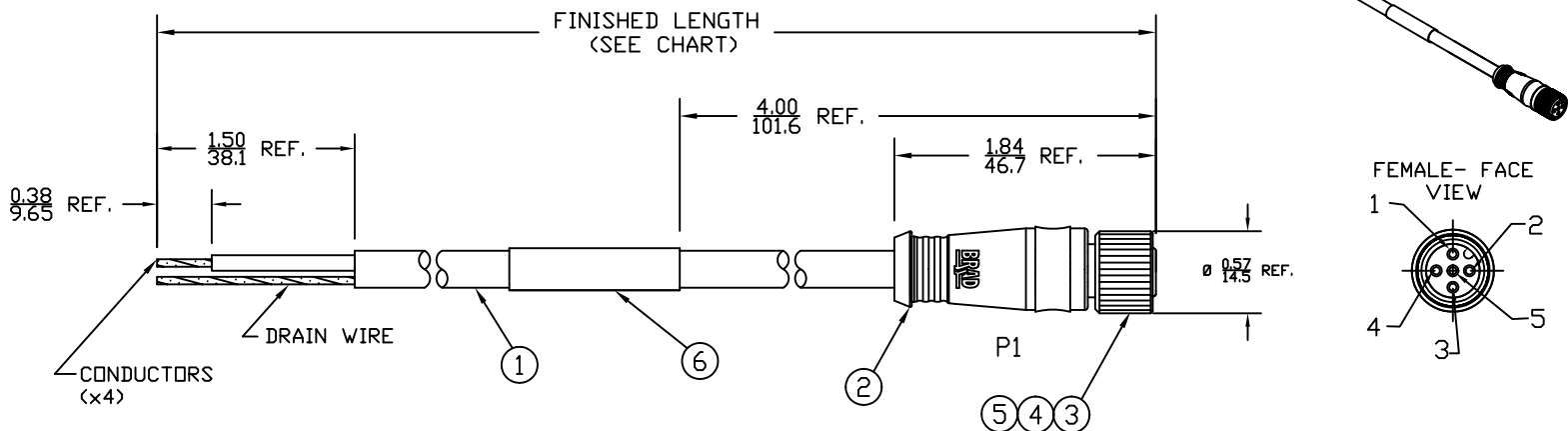
4

3

2

1

MATERIAL NUMBER	ENGINEERING NUMBER	FINISHED LENGTH	MATERIAL NUMBER	ENGINEERING NUMBER	FINISHED LENGTH (FT/MT)
1300270046	DND20A-M003	.98' +.75" -0 [1.3M +19.1 -0]	1300270054	DND20A-M070	22.97' +6.50" -0 [7.0M +165.1 -0]
1300270047	DND20A-M005	1.64' +1.75" -0 [1.5M +44.5 -0]	1300270055	DND20A-M080	26.25' +12.50" -0 [8.0M +317.5 -0]
1300270048	DND20A-M010	3.28' +2.19" -0 [1.0M +55.6 -0]	1300270056	DND20A-M100	32.81' +12.50" -0 [10.0M +317.5 -0]
1300270049	DND20A-M020	6.56' +3.50" -0 [2.0M +88.9 -0]	1300270057	DND20A-M150	49.21' +24.50" -0 [15.0M +622.3 -0]
1300270050	DND20A-M030	9.84' +3.50" -0 [3.0M +88.9 -0]	1300270058	DND20A-M250	82.02' +24.50" -0 [25.0M +622.3 -0]
1300270051	DND20A-M040	13.12' +6.50" -0 [4.0M +165.1 -0]	1300270158	DND20A-M300	98.43' +24.50" -0 [30.0M +622.3 -0]
1300270052	DND20A-M050	16.40' +6.50" -0 [5.0M +165.1 -0]			
1300270053	DND20A-M060	19.69' +6.50" -0 [6.0M +165.1 -0]			



- NOTES:
- 1) MATERIAL: SEE TABLE
 - 2) FINISHES: SEE TABLE
 - 3) CABLE: #22/4 + DRAIN, DEVICENET DROP EACH PAIR: SHIELDED, TWISTED OVERALL: SHIELDED, PVC
 - 4) ELECTRICAL DATA: MAX. VOLTAGE: 250V AC/DC MAX. CURRENT 4A
 - 5) ENVIRONMENTAL: PROTECTION IP67 TEMPERATURE RANGE: -20C TO 80C
 - 6) WRAP LABEL IS MARKED WITH P/N, DATE CODE, VOLTAGE & AMPERAGE.
 - 7) ASSEMBLY IS ROHS COMPLIANT.

ITEM	QTY.	DESCRIPTION	MATERIAL	FINISH
6	1	LABEL	PLASTIC FILM	BLACK/YELLOW
5	1	INSERT	NYLON	BLACK
4	5	SOCKET CONTACT	COPPER ALLOY	GOLD PLATED
3	1	M12 COUPLING NUT	ZINC DIE-CAST	BLACK
2	1	OVERMOLD	PVC	GRAY
1	1	DEVICENET DROP CABLE	PVC JACKET	GRAY

EC NO: WNA2010-0410 DRWN: TWOLDEGE 2010/01/06 CHKD: BWOODMAN APPR: JFMURPHY 2010/01/20 RELEASE	QUALITY SYMBOLS	GENERAL TOLERANCES (UNLESS SPECIFIED)	DIMENSION STYLE	SCALE	DESIGN UNITS	THIRD ANGLE PROJECTION
	$\nabla = 0$ $\nabla C = 0$	mm INCH 4 PLACES ±--- ±--- 3 PLACES ±--- ±0.05 2 PLACES ±0.13 ±0.10 1 PLACE ±0.25 ±0.20 ANGULAR ±1/2°	IN/MM	1:1	INCH	

DRAFT WHERE APPLICABLE MUST REMAIN WITHIN DIMENSIONS		SEE CHART		THIS DRAWING CONTAINS INFORMATION THAT IS PROPRIETARY TO MOLEX INCORPORATED AND SHOULD NOT BE USED WITHOUT WRITTEN PERMISSION	
MICRO DEVICE NET 5-POLE FEMALE ST DROP 22/4AWG W/DRAIN GRAY PVC		MOLEX INCORPORATED		SD-130027-007	
SHEET NO. 1 OF 1		DOCUMENT NO.		TITLE	

6

5

4

3

2

1

X-ON Electronics

Largest Supplier of Electrical and Electronic Components

Click to view similar products for [D-Sub Micro-D Connectors](#) category:

Click to view products by [Molex](#) manufacturer:

Other Similar products are found below :

[M243082311F](#) [M2430834F](#) [M24308/4-6F](#) [65-1920-15](#) [M83513/01-HN](#) [M83513/03-A10N](#) [M83513/03-B14C](#) [M83513/03-D09C](#) [M83513/03-D11N](#) [M83513/03-G02N](#) [M83513/03-G05N](#) [M83513/03-G08C](#) [M83513/03-G09N](#) [M83513/03-G12N](#) [M83513/03-H13N](#) [M83513/04-E15N](#) [M83513/04-G04C](#) [M83513/10-E01NP](#) [M83513/13-B01NP](#) [M83513/13-C01NN](#) [M83513/16-A01CP](#) [M83513/22-D01NP](#) [M83513/25-B01NP](#) [6R2004A30F015](#) [6R4006A28A120](#) [703006A13F060](#) [704002A03F200](#) [705001A13F120](#) [7-1532020-5](#) [748567-1-P](#) [MDB1-31SH003](#) [MDM-15PBS-L58](#) [MDM-15PCBRM7T](#) [MDM-15PH003B-A174](#) [75-068624-59S](#) [MDM-15PH034B](#) [MDM-15SH001L](#) [MDM-15SH004B](#) [MDM-21PH003K](#) [MDM-25PH003B-A174](#) [MDM-25PHW01F-A174](#) [MDM-37PH006L-A174](#) [MDM-37PH048M5-A174](#) [MDM-37SCBRP-A174](#) [MDM-51PBS-L56](#) [MDM-51PSF](#) [MDM-51SH003M7](#) [MDM-51SSM7-A174](#) [MDM-9PBSP-L58](#) [MDM-9PH003M7](#)