

10 9 8 7 6 5 4 3 2 1

F

E

D

C

B

A

F

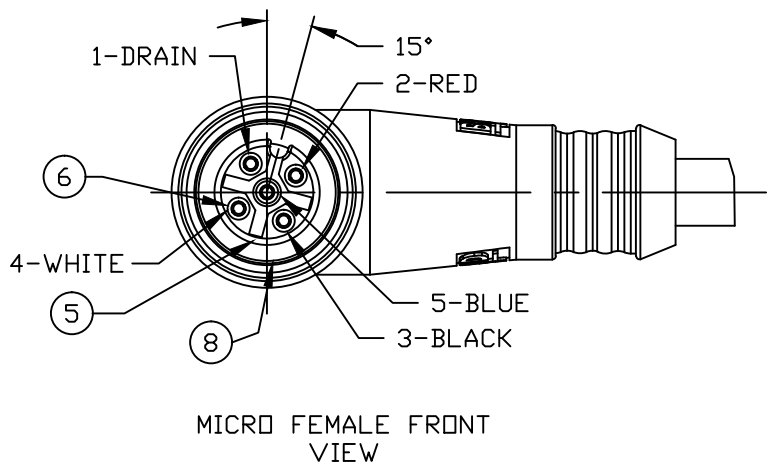
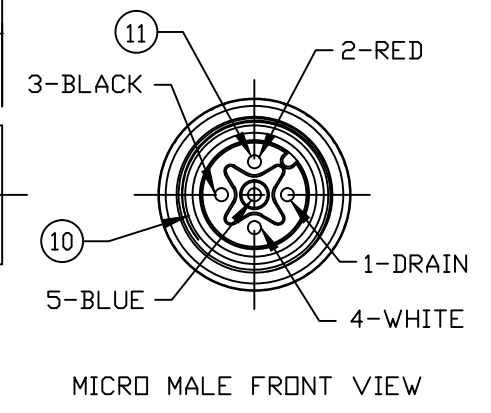
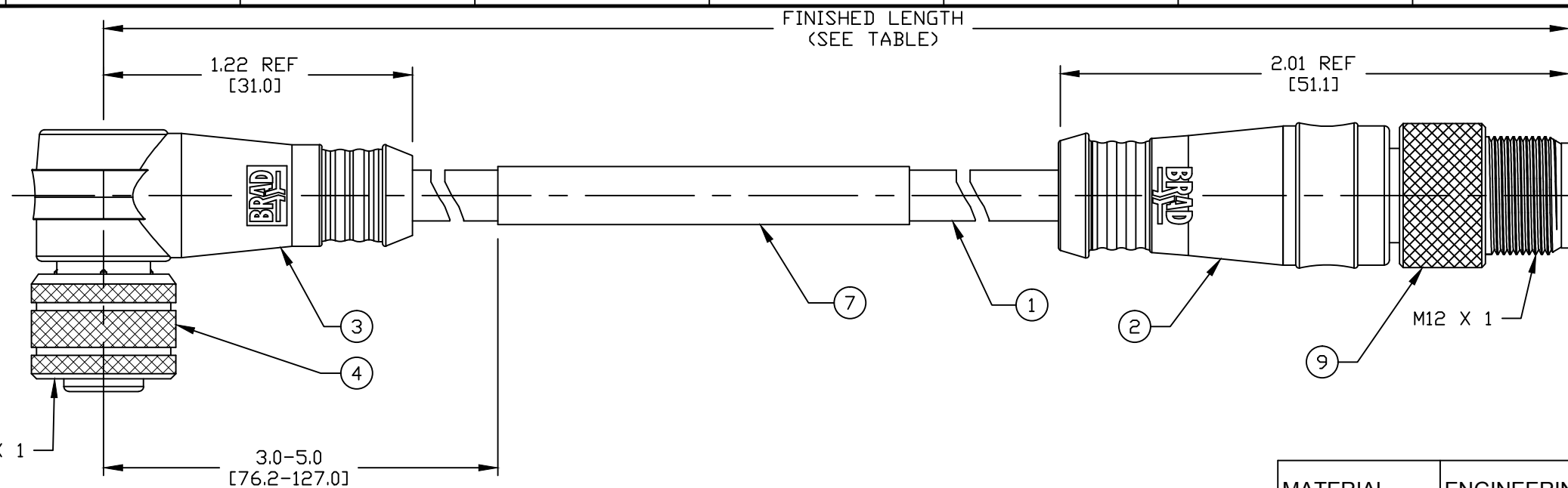
E

D

C

B

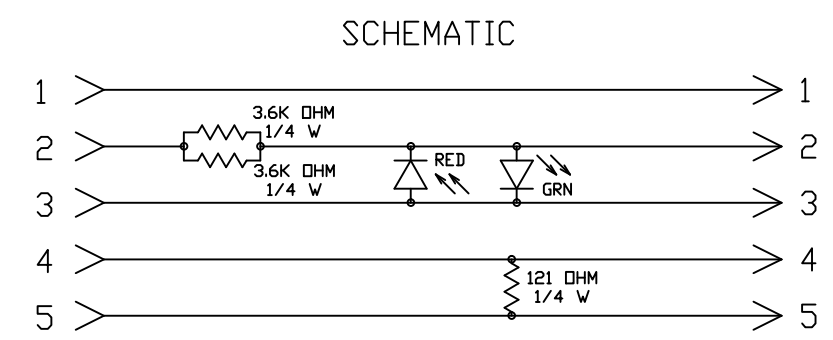
A



VOLTAGE RATING	30 VDC
AMPERAGE RATING	2.4 AMPS
PROTECTION	IP67
OPERATING TEMPERATURE	-20°C TO 80°C

MATERIAL NUMBER	ENGINEERING NUMBER	FINISHED LENGTH ± TOLERANCE
1300280274	130028-0274	1' 7" +1.75"/-0" [0.5M +44.5/-0mm]
1300280264	130028-0264	3' 3" +2.19"/-0" [1M +55.6/-0mm]
1300280275	130028-0275	4' 11" +2.19"/-0" [1.5M +55.6/-0mm]
1300280265	130028-0265	6' 7" +3.50"/-0" [2M +88.9/-0mm]
1300280276	130028-0276	8' 2" +3.50"/-0" [2.5M +88.9/-0mm]
1300280266	130028-0266	9' 10" +3.50"/-0" [3M +88.9/-0mm]
1300280267	130028-0267	13' 1" +6.50"/-0" [4M +165.1/-0mm]
1300280268	130028-0268	16' 4" +6.50"/-0" [5M +165.1/-0mm]

ITEM	QTY	DESCRIPTION	MATERIAL	FINISH
11	5	PIN CONTACT	COPPER ALLOY	GOLD PLATED
10	1	INSERT	NYLON	BLACK
9	1	COUPLING NUT	COPPER ALLOY	NICKEL PLATED
8	1	O-RING	NITRILE	RED
7	1	LABEL	VINYL (D)	BLACK/YELLOW
6	5	SOCKET CONTACT	COPPER ALLOY	GOLD PLATED
5	1	INSERT	NYLON	BLACK
4	1	COUPLING NUT	BRASS	NICKEL PLATED
3	1	OVERMOLD	TPU (D)	CLEAR (D)
2	1	OVERMOLD	TPE (D)	GRAY
1	1	DROP CABLE, 2 TWISTED PAIRS 26AWG CORD	PVC	GRAY



IMAT. WAS PVC, COLOR WAS GRAY EC NO: IPG2017-0030 DRWN: RSTONE 7/12/16 CHKD: K COX 2016/07/13 APPR: TWOLDEGE	DESCRIPTION REV	QUALITY SYMBOLS ▽=0 ▽C=0	GENERAL TOLERANCES (UNLESS SPECIFIED) mm INCH 4 PLACES ±--- ±--- 3 PLACES ±--- ±.005 2 PLACES ±0.13 ±.010 1 PLACE ±0.25 ±.020 ANGULAR ±1/2°	DIMENSION STYLE IN/MM DRAWN BY DATE BWOODMAN 2011/11/04 CHECKED BY DATE KJOZWIK 2011/11/16 APPROVED BY DATE ---	SCALE 1:1 DESIGN UNITS INCH THIRD ANGLE PROJECTION	TITLE MIC 90D TERMINATED FEM TO MIC STR MALE SPCL KEYWAY ORIENT MOLEX INCORPORATED	MATERIAL NO. SEE TABLE SIZE B THIS DRAWING CONTAINS INFORMATION THAT IS PROPRIETARY TO MOLEX INCORPORATED AND SHOULD NOT BE USED WITHOUT WRITTEN PERMISSION	DOCUMENT NO. SD-130028-008 SHEET NO. 1 OF 1
--	--------------------	--------------------------------	---	--	--	--	---	--

10 9 8 7 6 5 4 3 2 1

X-ON Electronics

Largest Supplier of Electrical and Electronic Components

Click to view similar products for [Sensor Cables / Actuator Cables](#) category:

Click to view products by [Molex](#) manufacturer:

Other Similar products are found below :

[60963](#) [60964](#) [703000D02F2002](#) [703001D02F0602](#) [703001D02F300](#) [704000D02F120](#) [773032K02F030](#) [802027107404-1](#) [802027213811-1](#)
[804001A09M150](#) [805001A09M0502](#) [84914-0235](#) [84914-0237](#) [885030A09M020](#) [8R4J30E03C3003](#) [1200651332](#) [1200651713](#) [1200660844](#)
[1200660845](#) [1200661173](#) [1200680071](#) [1200720053](#) [1200720081](#) [1200720099](#) [1200720217](#) [1200800231](#) [1200860125](#) [1200870123](#)
[1200980102](#) [1200650267](#) [1200650298](#) [1200660183](#) [1200660782](#) [1200660849](#) [1200661295](#) [1200661297](#) [1200661342](#) [1200661343](#)
[1200670080](#) [1200670220](#) [1200680331](#) [1200720252](#) [1200730184](#) [1200860344](#) [1200870359](#) [1200870643](#) [1200980008](#) [1200980031](#)
[1210502211](#) [1210400542](#)