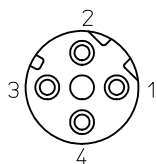


# 4 POLE M12



VIEW FROM FRONT SIDE

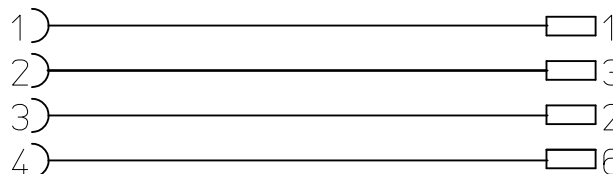
Pin	WIRE COLOR	Wire color
1	ORANGE	OG
2	BLUE	BU
3	ORANGE/WHITE	OG/WH
4	BLUE/WHITE	BU/WH

Electrical Data:  
 According to CAT5e Ethernet Standard.  
 M12 D-Code male to RJ45 male straight cordset  
 Poles: 4  
 Max. Voltage: 125V  
 Max. Current: 1,5A  
 Resistance: < 5m Ohm  
 Insulation withstand: >100M Ohm  
 Protection: IP67  
 Temperature range: -25°C to 75°C

CHART 1

MOLEX PN	Eng. No.:	L(mm)
1300480015	E16A06002M100	10000
1300480016	E16A06002M150	15000
1300480017	E16A06002M200	20000
1300480018	E16A06002M250	25000
1300480019	E16A06002M300	30000
1300480020	E16A06002M350	35000
1300480021	E16A06002M400	40000
1300480022	E16A06002M450	45000
1300480023	E16A06002M500	50000
1300480024	E16A06002M600	60000
1300480025	E16A06002M700	70000
1300480026	E16A06002M900	90000
1300480205	E16A06002M010	1000
1300480206	E16A06002M030	3000
1300480225	E16A06002M040	4000
1300480248	E16A06002M050	5000
1300480227	E16A06002M060	6000

## ELECTRICAL DIAGRAM



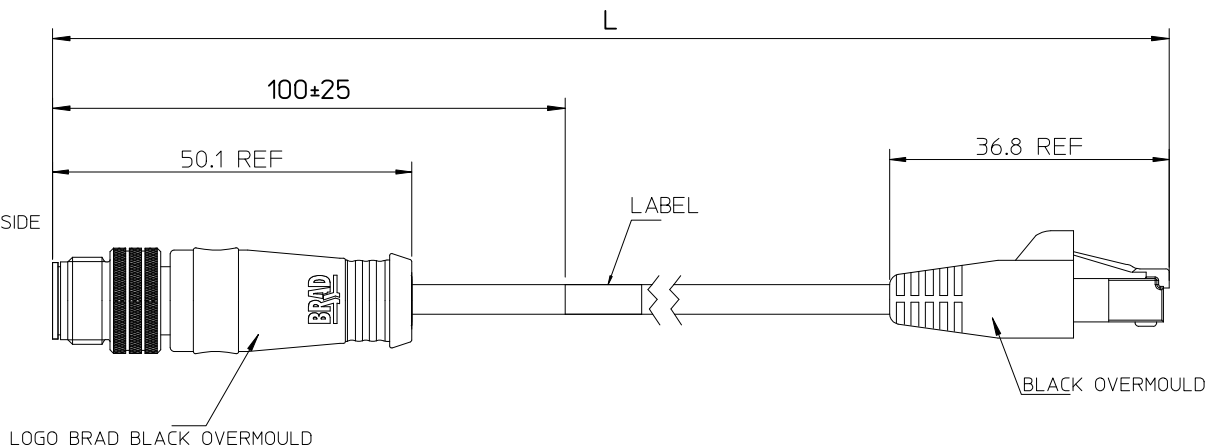
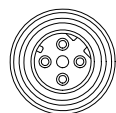
Tablica tolerancji długości Table of length tolerances		
Powyżej Over	Do-włącznie Up to and including	Tolerancja (+) Tolerance
0	305	+19
305	915	+45
915	1830	+56
1830	3660	+89
3660	7320	+165
7320	14640	+317
14640	30500	+610
30500	>	+2% długości of length

## WIRING DIAGRAM

RJ45

Pin No.	Color	
1	ORANGE	OG
2	ORANGE/WHITE	OG/WH
3	BLUE	BU
6	BLUE/WHITE	BU/WH

VIEW FROM FRONT SIDE



ORIGINAL RELEASE EC NO: IPG2012-0729 DRWN:HWALCZAK 2012/04/03 CHKD: APPR:MDYSZEWSKA 2012/04/16 A	QUALITY SYMBOLS ▽=0 ◻=0	GENERAL TOLERANCES (UNLESS SPECIFIED)		DIMENSION STYLE MM ONLY		SCALE ---	DESIGN UNITS METRIC	FIRST ANGLE PROJECTION	
		mm      INCH		DRAWN BY HWALCZAK	DATE 2012/04/03	TITLE CSE M12 ETH 4P DC MA STR PVC MA STR XM DE BK			
		4 PLACES ± --- ± --- 3 PLACES ± --- ± --- 2 PLACES ± --- ± --- 1 PLACE ± --- ± --- 0 PLACE ± --- ± ---		CHECKED BY	DATE	APPROVED BY MDYSZEWSKA			DATE 2012/04/16
		ANGULAR ± --- ° DRAFT WHERE APPLICABLE MUST REMAIN WITHIN DIMENSIONS		MATERIAL NO. SEE CHART 1		DOCUMENT NO. SD-130048-004	SHEET NO. 1 OF 1		

## X-ON Electronics

Largest Supplier of Electrical and Electronic Components

*Click to view similar products for [Ethernet Cables / Networking Cables](#) category:*

*Click to view products by [Molex](#) manufacturer:*

Other Similar products are found below :

[73-6670-7](#) [73-6680-15](#) [73-7797-25](#) [MCJB2-10P6Q7-120](#) [84909-0204](#) [1200700174](#) [1200860368](#) [E16A06002M030](#) [E200102-009-S1](#)  
[AX105346-EW](#) [MT14-187L](#) [17-103530](#) [ERWPAB3002M005](#) [190-038045-01](#) [NK5EPC18RDY](#) [NK5EPC18VLY](#) [NK5EPC18YLY](#)  
[NK5EPC1GRY](#) [NK5EPC4Y](#) [NK5EPC6YLY](#) [NK5EPC8BLY](#) [NK5EPC9YLY](#) [1969343-6](#) [C501100010](#) [C501106002](#) [C501106007](#)  
[C501106015](#) [C501106025](#) [C601102010](#) [C601104010](#) [C601106007](#) [C601106015](#) [2142758-2](#) [2168427-2](#) [CAT1106007](#) [21949-1](#) [2J1866A](#)  
[RJF SFTP 5E 0500](#) [AX100351](#) [MN14CEC/ST](#) [C501100015](#) [C501106004](#) [C501106010](#) [C5F1108007](#) [C601104004](#) [C601106004](#)  
[CA21106004](#) [CA21106010](#) [CA21106015](#) [CA21109007](#)