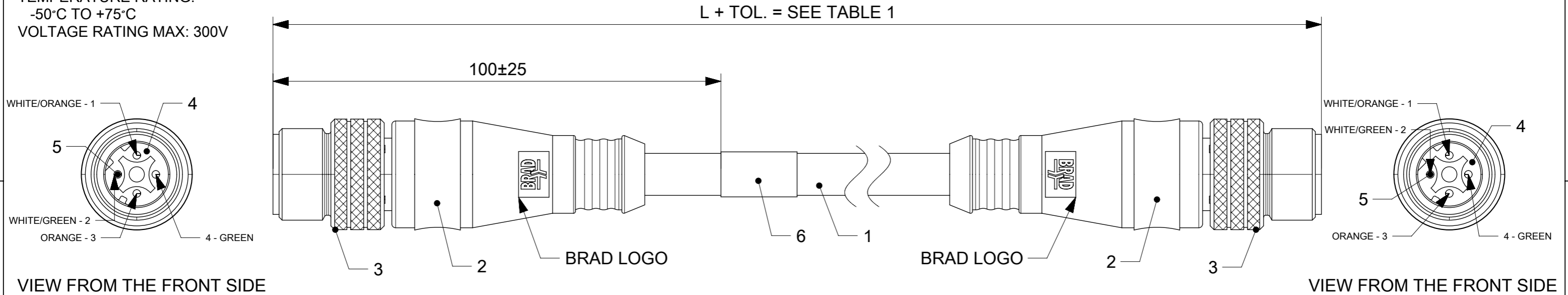


# CABLE SPECIFICATION

**CONDUCTOR:**  
 MATERIAL: TINED COPPER  
 SECTION: 24AWG  
**INSULATION:**  
 COMPOUND: PE  
 DIAMETER: 0.99mm  
 PAIRS: COLOR CODED SINGLES  
 TWISTED INTO PAIRS.  
**JACKET:**  
 COMPOUND: TPE  
 COLOR: TEAL  
 DIAMETER: 5.58mm  
 TEMPERATURE RATING:  
 -50°C TO +75°C  
 VOLTAGE RATING MAX: 300V

| TABLE OF LENGTH TOLERANCES |                     |               |
|----------------------------|---------------------|---------------|
| OVER                       | UP TO AND INCLUDING | TOLERANCE (+) |
| 0                          | 305                 | +19           |
| 305                        | 915                 | +45           |
| 915                        | 1830                | +56           |
| 1830                       | 3660                | +89           |
| 3660                       | 7320                | +165          |
| 7320                       | 14640               | +317          |
| 14640                      | 30500               | +610          |
| 30500                      | >                   | +2% OF LENGTH |

|             |                                     |
|-------------|-------------------------------------|
| REVISION A  | TRANSFERRED TO ECTR<br>NEW PN ADDED |
| REVISION A1 | ADDED NEW PN                        |
| REVISION A2 | WIRING UPDATED                      |



**NOTES:**  
 1. BRAD LOGO - ONLY IN ONE SIDE ON THE OVERMOULD.

| TABLE 1    |                |        |            |                |        |
|------------|----------------|--------|------------|----------------|--------|
| MOLEX PN   | ENGINEERING No | L [mm] | MOLEX PN   | ENGINEERING No | L [mm] |
| 1300480095 | E11A06004M010  | 1000   | 1300480108 | E11A06004M180  | 18000  |
| 1300480096 | E11A06004M020  | 2000   | 1300480109 | E11A06004M200  | 20000  |
| 1300480097 | E11A06004M030  | 3000   | 1300480110 | E11A06004M240  | 24000  |
| 1300480098 | E11A06004M040  | 4000   | 1300480111 | E11A06004M300  | 30000  |
| 1300480099 | E11A06004M050  | 5000   | 1300480112 | E11A06004M500  | 50000  |
| 1300480100 | E11A06004M060  | 6000   | 1300480251 | E11A06004M003  | 300    |
| 1300480101 | E11A06004M070  | 7000   | 1300480252 | E11A06004M006  | 600    |
| 1300480102 | E11A06004M080  | 8000   | 1300480253 | E11A06004M250  | 25000  |
| 1300480103 | E11A06004M090  | 9000   | 1300480315 | E11A06004M380  | 38000  |
| 1300480104 | E11A06004M100  | 10000  | 1300480316 | E11A06004M230  | 23000  |
| 1300480105 | E11A06004M120  | 12000  | 1300480317 | E11A06004M270  | 27000  |
| 1300480106 | E11A06004M140  | 14000  | 1300480318 | E11A06004M340  | 34000  |
| 1300480107 | E11A06004M150  | 15000  | 1300480319 | E11A06004M420  | 42000  |

| MOLEX PN   | ENGINEERING No | L [mm] |
|------------|----------------|--------|
| 1300480322 | E11A06004M570  | 57000  |
| 1300480323 | E11A06004M650  | 65000  |
| 1300480324 | E11A06004M760  | 76000  |
| 1300480325 | E11A06004M800  | 80000  |
| 1300480326 | E11A06004M850  | 85000  |

## BILL OF MATERIALS

| ITEM | QTY. | DESCRIPTION          | MATERIAL     | FINISH             |
|------|------|----------------------|--------------|--------------------|
| 6    | 1    | LABEL                | VINYL        | -                  |
| 5    | 8    | CONTACT MALE         | COPPER ALLOY | GOLD OVER NICKEL   |
| 4    | 2    | INSERT D-CODE 4 POLE | ELASTOLLAN   | -                  |
| 3    | 2    | COUPLING NUT M12     | BRASS        | TEFLON OVER NICKEL |
| 2    | -    | OVERMOULD MATERIAL   | TPE          | BLACK              |
| 1    | -    | ETHERNET CABLE CAT5E | TPE          | TEAL               |

THIS DRAWING CONTAINS INFORMATION THAT IS PROPRIETARY TO MOLEX ELECTRONIC TECHNOLOGIES, LLC AND SHOULD NOT BE USED WITHOUT WRITTEN PERMISSION

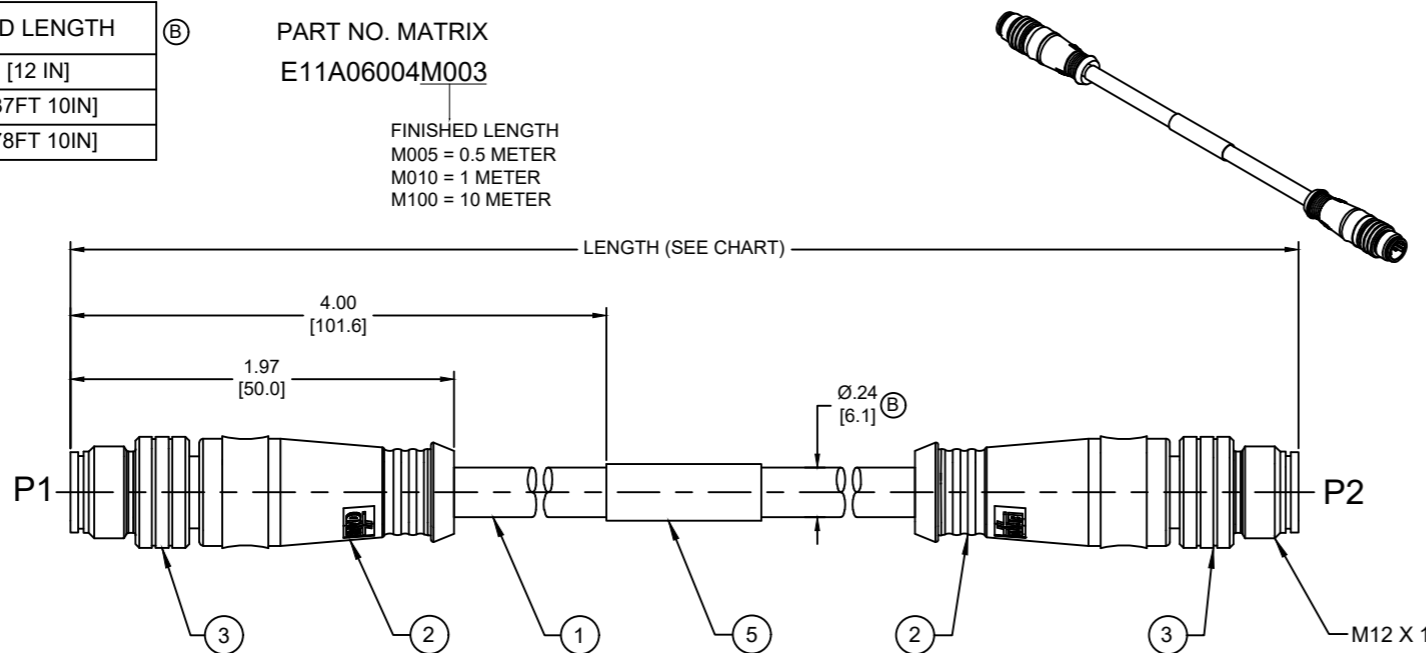
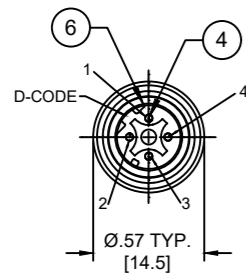
|   |            |   |                               |                                   |                               |
|---|------------|---|-------------------------------|-----------------------------------|-------------------------------|
| EC NO: 109023<br>DRWN: DSTACHOWIAK<br>CHK'D:<br>APPR: MIWASIECZKO | 2016/09/14 | GENERAL TOLERANCES (UNLESS SPECIFIED)<br>ANGULAR TOL ± °<br>4 PLACES ±<br>3 PLACES ±<br>2 PLACES ±<br>1 PLACE ±<br>0 PLACES ±<br>DRAFT WHERE APPLICABLE MUST REMAIN WITHIN DIMENSIONS | DIMENSION UNITS<br><b>MM</b>  | SCALE<br><b>2:1</b>               |                               |
|   | 2016/10/24 |   | DRWN BY<br><b>MMATLA</b>      | DATE<br><b>2016/06/27</b>         |                               |
|   |            |   | CHK'D BY                      | DATE                              |                               |
|   |            |   | APPR BY<br><b>MIWASIECZKO</b> | DATE<br><b>2016/07/13</b>         |                               |
| PRODUCT CUSTOMER DRAWING  |            | DRAWING SIZE<br><b>A3</b>   |                               | THIRD ANGLE PROJECTION            |                               |
| SERIES<br><b>130048</b>   |            | MATERIAL NUMBER<br><b>SEE TABLE 1</b>   |                               | CUSTOMER<br><b>GENERAL MARKET</b> |                               |
| DOCUMENT NUMBER<br><b>1300480095</b>                              |            |   | DOC TYPE<br><b>PSD</b>        | DOC PART<br><b>00P</b>            | SHEET NUMBER<br><b>1 OF 1</b> |

|                |    |              |            |          |
|----------------|----|--------------|------------|----------|
| RELEASE STATUS | P1 | RELEASE DATE | 24.10.2016 | 06:30:03 |
|----------------|----|--------------|------------|----------|

| PART NO    | ENGINEERING NO. | FINISHED LENGTH  |
|------------|-----------------|------------------|
| 1300480251 | E11A06004M003   | 0.3M [12 IN]     |
| 1300480319 | E11A06004M420   | 42M [137FT 10IN] |
| 1300480326 | E11A06004M850   | 85M [278FT 10IN] |

PART NO. MATRIX  
E11A06004M003

FINISHED LENGTH  
M005 = 0.5 METER  
M010 = 1 METER  
M100 = 10 METER



- NOTES:
- 1) MATERIAL: SEE TABLE
  - 2) FINISHES: SEE TABLE
  - 3) MATES WITH: MICRO CHANGE, 4 POLE RECEPTACLE
  - 4) ELECTRICAL DATA:  
ACCORDING TO CAT5e ETHERNET STANDARD  
INLINE CORDSET  
MALE D-CODING TO MALE D-CODING  
24AWG  
POLES: 4  
MAX. VOLTAGE: 250V  
MAX. CURRENT 1.5A (B)  
CONTACT RESISTANCE: <5m Ohm  
INSULATION WITHSTAND: >100M Ohm  
TEMPERATURE RANGE: -20°C TO +75°C (B)  
PROTECTION: IP67 (WHEN MATED)  
UL E200650
  - 5) ASSEMBLY IS RoHS COMPLIANT.
  - 6) ALL DIMENSIONS ARE FOR REFERENCE UNLESS TOLERANCED OR NOTED OTHERWISE.

MECHANICAL CHARACTERISTICS: (B)

|                 |   |
|-----------------|---|
| FLEX LIFE:      | (126 CYCLES/MIN @ 20° C)<br>1 MILLION CYCLE TEST (10X CABLE O.D., MINIMUM RADIUS)<br>10 MILLION CYCLE TEST (20X CABLE O.D., MINIMUM RADIUS) |
| TORSIONAL FLEX: | (1 LB LOAD, 360°, 71 CYCLES/MIN @ 20° C)<br>3 MILLION CYCLE TEST  |

| P1 |       | P2 |
|----|-------|----|
| 1  | WH-OG | 1  |
| 2  | WH-GN | 2  |
| 3  | OG    | 3  |
| 4  | GN    | 4  |

WIRING DIAGRAM

CABLE LENGTH TOLERANCES

|                          |                         |
|--------------------------|-------------------------|
| <.3M [1FT]:              | +19mm-0 [+ .75in-0]     |
| .3 - .9M [1 - 3FT]:      | +44.5mm-0 [+1.75in-0]   |
| .9 - 1.8M [3 - 6FT]:     | +55.6mm-0 [+2.19in-0]   |
| 1.8 - 3.7M [6 - 12FT]:   | +88.9mm-0 [+3.50in-0]   |
| 3.7 - 7.3M [12 - 24FT]:  | +165.1mm-0 [+6.50in-0]  |
| 7.3-14.6M [24 - 48FT]:   | +317.5mm-0 [+12.50in-0] |
| 14.6 - 30.5M [48-100FT]: | +622.3mm-0 [+24.50in-0] |
| OVER 30M [100FT]:        | +2% OF FINISHED LENGTH  |

| 6    | 2    | INSERTS              | TPU          | BLACK         |
|------|------|----------------------|--------------|---------------|
| 5    | 1    | LABEL                | PLASTIC FILM | BLACK/YELLOW  |
| 4    | 8    | MALE TERMINAL        | COPPER ALLOY | GOLD PLATED   |
| 3    | 2    | COUPLING NUT         | BRASS        | NICKEL PLATED |
| 2    | 2    | OVERMOLD             | TPC          | BLACK (B)     |
| 1    | 1    | ETHERNET CABLE-CAT5e | TPE JACKET   | TEAL          |
| ITEM | QTY. | DESCRIPTION          | MATERIAL     | FINISH        |

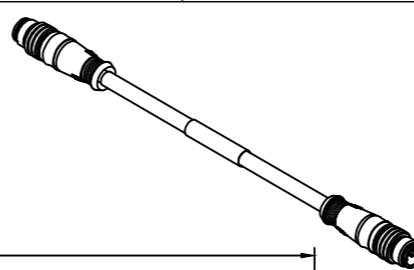
|                 |    |              |            |          |
|-----------------|----|--------------|------------|----------|
| DOCUMENT STATUS | P1 | RELEASE DATE | 2020/10/23 | 13:29:09 |
|-----------------|----|--------------|------------|----------|

THIS DRAWING CONTAINS INFORMATION THAT IS PROPRIETARY TO MOLEX ELECTRONIC TECHNOLOGIES, LLC AND SHOULD NOT BE USED WITHOUT WRITTEN PERMISSION

|  |                        |         |   |
|--|------------------------|---------|---|
| FUNCTIONAL SYMBOLS                                   | DIMENSION UNITS        | SCALE   | CURRENT REV DESC: ITEM# 2 WAS TPE. UPDATED CURRENT & TEMP RATING. ADDED MECH CHAR TABLE & CABLE DIA. MODIFIED MATERIAL TABLE. |
| INCH/MM  | NTS                    |         |   |
| GENERAL TOLERANCES (UNLESS SPECIFIED)                |                        |         |   |
| 4 PLACES   | ±----                  | ±----   |   |
| 3 PLACES   | ±----                  | ±----   |   |
| 2 PLACES   | ±----                  | ±----   |   |
| 1 PLACE  | ±----                  | ±----   |   |
| 0 PLACES   | ±----                  | ±----   |   |
| ANGULAR TOL  | ± ---- °               |         |   |
| DRAFT WHERE APPLICABLE MUST REMAIN WITHIN DIMENSIONS | THIRD ANGLE PROJECTION | DRAWING | SERIES  |
|  |                        | A-SIZE  | 130048  |

|                   |                   |            |
|-------------------|-------------------|------------|
| EC NO: 645633     | DRWN: ABENJAMINLW | 2020/09/22 |
| CHK'D: RSTONE     | 2020/09/29        |            |
| APPR: BWOODMAN    | 2020/10/23        |            |
| INITIAL REVISION: |                   |            |
| DRWN: TVICKERS    | 2010/01/14        |            |
| APPR: DTITUS      | 2010/01/15        |            |

|                 |                |              |          |          |
|-----------------|----------------|--------------|----------|----------|
| DOCUMENT NUMBER |                | DOC TYPE     | DOC PART | REVISION |
| SD-130048-001   |                | PSD          | 001      | B        |
| MATERIAL NUMBER | CUSTOMER       | SHEET NUMBER |          |          |
| SEE CHART       | GENERAL MARKET | 1 OF 1       |          |          |



## X-ON Electronics

Largest Supplier of Electrical and Electronic Components

*Click to view similar products for [Sensor Cables / Actuator Cables](#) category:*

*Click to view products by [Molex](#) manufacturer:*

Other Similar products are found below :

[60963](#) [60964](#) [703000D02F2002](#) [703001D02F0602](#) [703001D02F300](#) [704000D02F120](#) [773032K02F030](#) [802027107404-1](#) [802027213811-1](#)  
[804001A09M150](#) [805001A09M0502](#) [84914-0235](#) [84914-0237](#) [885030A09M020](#) [8R4J30E03C3003](#) [1200651332](#) [1200651713](#) [1200660844](#)  
[1200660845](#) [1200661173](#) [1200680071](#) [1200720053](#) [1200720081](#) [1200720099](#) [1200720217](#) [1200800231](#) [1200860125](#) [1200870123](#)  
[1200980102](#) [1200650267](#) [1200650298](#) [1200660183](#) [1200660782](#) [1200660849](#) [1200661295](#) [1200661297](#) [1200661342](#) [1200661343](#)  
[1200670080](#) [1200670220](#) [1200680331](#) [1200720252](#) [1200730184](#) [1200860344](#) [1200870359](#) [1200870643](#) [1200980008](#) [1200980031](#)  
[1210502211](#) [1210400542](#)