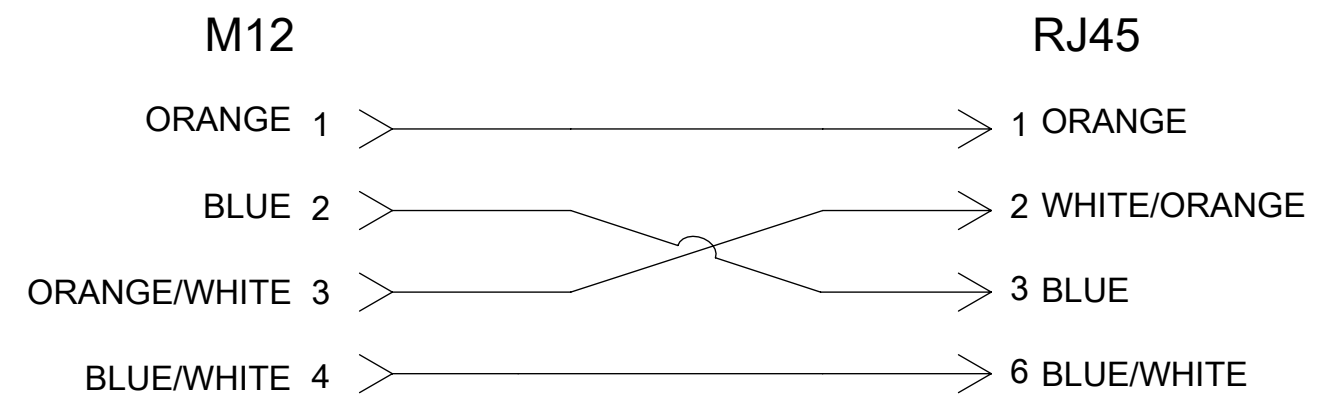


MATERIAL NO.	ENGINEERING NO.	FINISHED LENGTH
1300480205	E16A06002M010	3FT 3.37IN (1M)
1300480022	E16A06002M450	147 FT 7.7 IN (45M)
1300480026	E16A06002M900	295FT 3.30 (90M)

- NOTES:
1. MATERIAL: AS NOTED
  2. FINISH: AS NOTED
  3. ELECTRICAL SPECIFICATIONS  
VOLTAGE RATING: 125V  
CURRENT RATING: 1.5A
  4. TEMP RANGE: -25°C TO +75°C
  5. PROTECTION: IP67 (WHEN MATED)
  6. UL FILE: E200650 (A2)
  7. ALL DIMS ARE FOR REFERENCE UNLESS TOLERANCED OR NOTED OTHERWISE

WIRING DIAGRAM



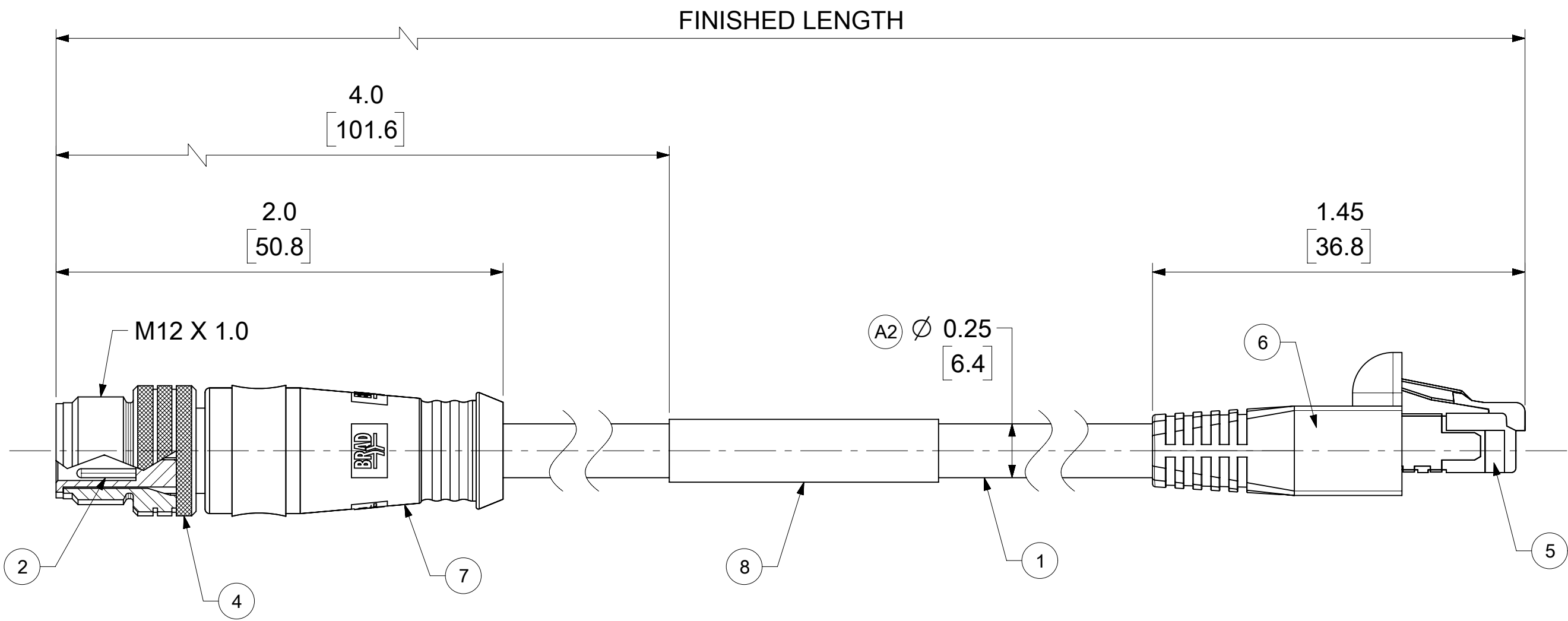
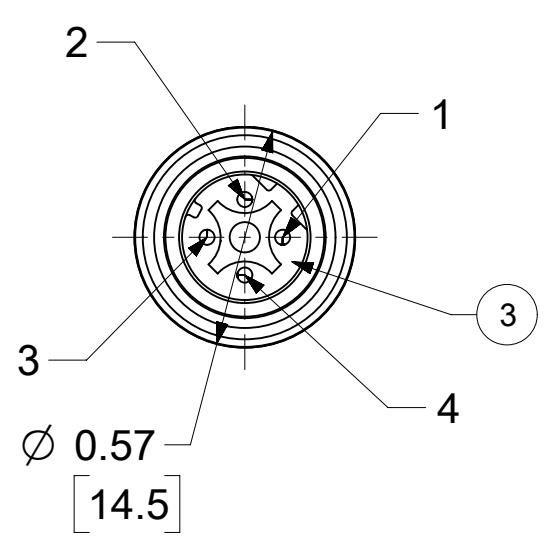
(A2) PART NO. MATRIX  
E16A06002M100

FINISHED LENGTH  
M005= 0.5 METER  
M010= 1 METER  
M150= 15 METER

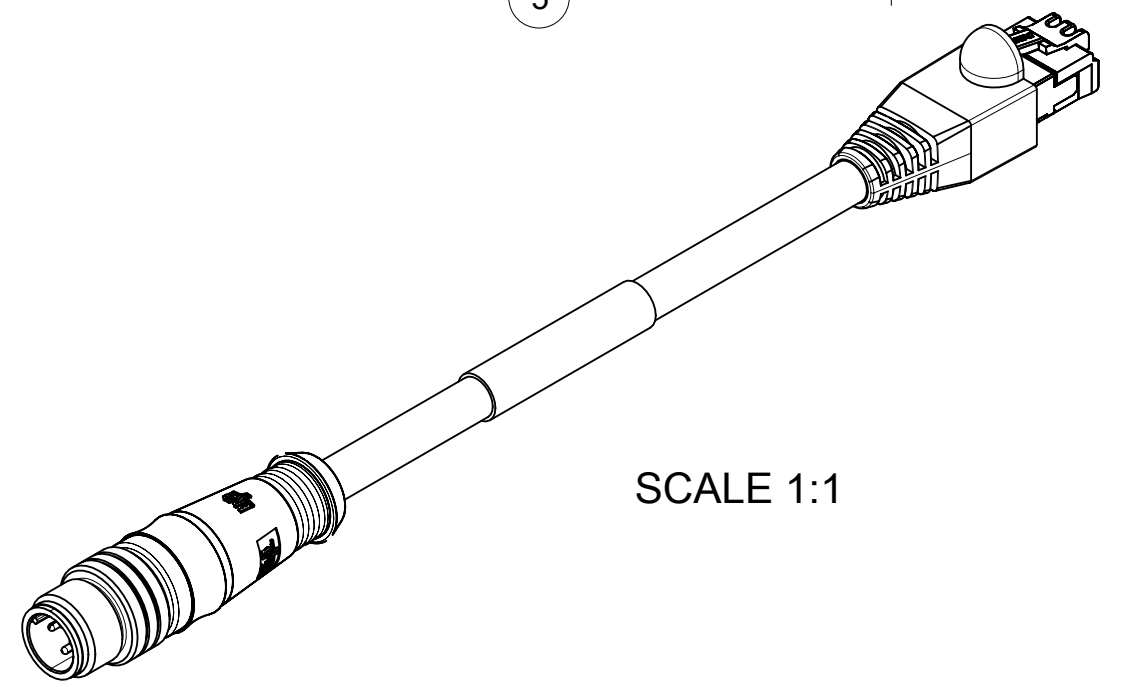
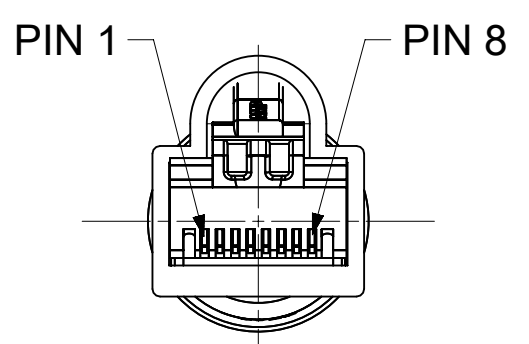
(A2) CABLE LENGTH TOLERANCES

<.3M [1FT]:	+19mm-0 [ +.75in-0]
.3 - .9M [1 - 3FT]:	+44.5mm-0 [+1.75in-0]
.9 - 1.8M [3 - 6FT]:	+55.6mm-0 [+2.19in-0]
1.8 - 3.7M [6 - 12FT]:	+88.9mm-0 [+3.50in-0]
3.7 - 7.3M [12 - 24FT]:	+165.1mm-0 [+6.50in-0]
7.3-14.6M [24 - 48FT]:	+317.5mm-0 [+12.50in-0]
14.6 - 30.5M [48-100FT]:	+622.3mm-0 [+24.50in-0]
OVER 30M [100FT]	+2% OF FINISHED LENGTH

M12 4 POLE MALE



RJ45 MALE



8	LABEL	VINYL	BLACK/WHITE
7	OVERMOLD	TPU	BLACK
6	RJ45 BOOT, HOODED	PVC	BLACK
5	RJ45 PLUG	POLYCARBONATE	TRANSPARENT
4	COUPLING NUT M12 MALE	BRASS	NICKEL
3	INSERT D-CODE 4 POLE MALE	PUR	BLACK
2	CONTACT PIN	COPPER ALLOY	GOLD PLATED
1	CABLE, ETHERNET, 24-4	PVC JACKET	TEAL
ITEM	DESCRIPTION	MATERIAL	FINISH

FUNCTIONAL SYMBOLS	THIS DRAWING CONTAINS INFORMATION THAT IS PROPRIETARY TO MOLEX ELECTRONIC TECHNOLOGIES, LLC AND SHOULD NOT BE USED WITHOUT WRITTEN PERMISSION		CURRENT REV DESC: ADDED UL, MODIFIED MATERIAL TABLE, TOLERANCE CHART, PART NO. MATRIX & CABLE DIA ADDED.	
	DIMENSION UNITS	SCALE		
$\frac{F}{A} = 0$	INCH/MM	2:1		
$\frac{F}{C} = 0$	GENERAL TOLERANCES (UNLESS SPECIFIED)			
$\frac{F}{P} = 0$		MM	INCH	
DIVISIONAL SYMBOLS	4 PLACES	±	±	
	3 PLACES	±	±	
	2 PLACES	±	±	
	1 PLACE	±	±	
	0 PLACES	±	±	
	ANGULAR TOL	±	°	
DRAFT WHERE APPLICABLE MUST REMAIN WITHIN DIMENSIONS		THIRD ANGLE PROJECTION	DRAWING	SERIES
			C-SIZE	130048
DOCUMENT STATUS		P1	RELEASE DATE	2020/11/18 23:03:28
EC NO: 648668		DRWN: VASUTHKARP	2020/09/24	
CHK'D: RSTONE		2020/11/11		
APPR: BWOODMAN		2020/11/18		
INITIAL REVISION:		DRWN: HWALCZAK	2012/04/03	
		APPR: MDYSZEWSKA	2012/04/16	
DOCUMENT NUMBER		DOC TYPE	DOC PART	REVISION
SD-130048-004		PSD	001	A2
MATERIAL NUMBER		CUSTOMER	SHEET NUMBER	
SEE TABLE		GENERAL MARKET	1 OF 1	

## X-ON Electronics

Largest Supplier of Electrical and Electronic Components

*Click to view similar products for [Ethernet Cables / Networking Cables](#) category:*

*Click to view products by [Molex](#) manufacturer:*

Other Similar products are found below :

[73-6670-7](#) [73-6680-15](#) [73-7797-25](#) [MCJB2-10P6Q7-120](#) [84909-0204](#) [1200700174](#) [1200860368](#) [E16A06002M030](#) [E200102-009-S1](#)  
[AX105346-EW](#) [MT14-187L](#) [17-103530](#) [ERWPAB3002M005](#) [190-038045-01](#) [NK5EPC18RDY](#) [NK5EPC18VLY](#) [NK5EPC18YLY](#)  
[NK5EPC1GRY](#) [NK5EPC4Y](#) [NK5EPC6YLY](#) [NK5EPC8BLY](#) [NK5EPC9YLY](#) [1969343-6](#) [C501100010](#) [C501106002](#) [C501106007](#)  
[C501106015](#) [C501106025](#) [C601102010](#) [C601104010](#) [C601106007](#) [C601106015](#) [2142758-2](#) [2168427-2](#) [CAT1106007](#) [21949-1](#) [2J1866A](#)  
[RJF SFTP 5E 0500](#) [AX100351](#) [MN14CEC/ST](#) [C501100015](#) [C501106004](#) [C501106010](#) [C5F1108007](#) [C601104004](#) [C601106004](#)  
[CA21106004](#) [CA21106010](#) [CA21106015](#) [CA21109007](#)