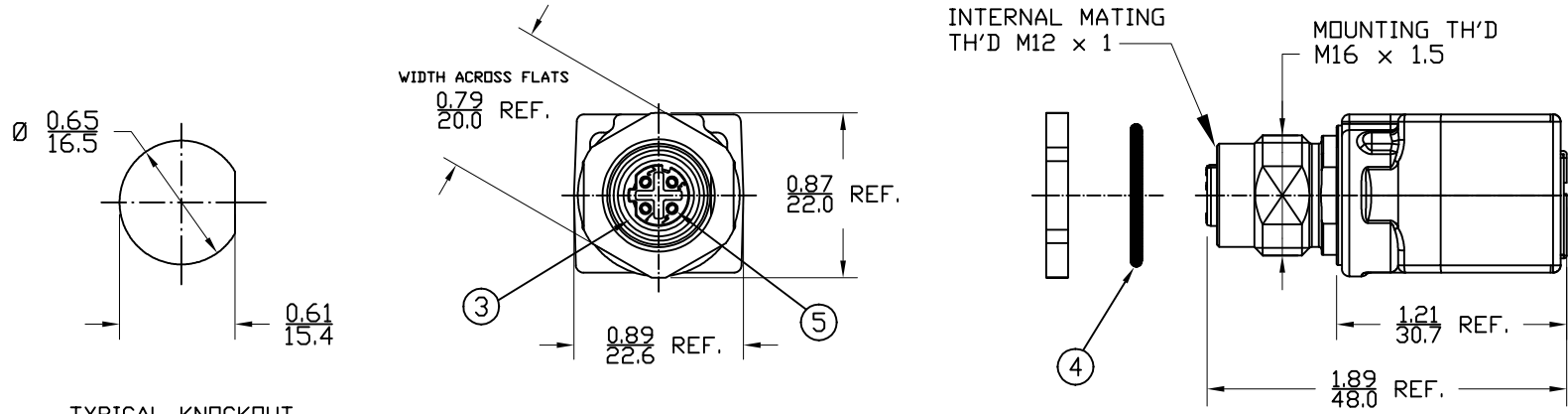
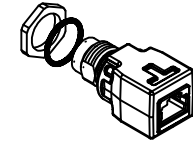


SAP P/N#	ENGINEERING NO.
1300540009	ER1PADAPTER

AUX VIEW
SCALE 1:4



NOTES:

- 1) MATERIAL: SEE TABLE
- 2) FINISHES: SEE TABLE
- 3) ELECTRICAL DATA: CAT 5E
- 4) ENVIRONMENTAL:
PROTECTION: M12 - IP65/IP67
RJ45 - IP20
TEMPERATURE: -5°C TO +60°C
- 5) ASSEMBLY IS RoHS COMPLIANT.

ITEM	QTY.	DESCRIPTION	MATERIAL	FINISH
6	1	BODY	NYLON	BLACK
5	4	SOCKET CONTACT	COPPER ALLOY	GOLD PLATED
4	1	O-RING	NITRILE	BLACK
3	1	O-RING	VITON	-
2	1	INSERT: D-CODE	NYLON	GRAY
1	1	SHELL: BACK PANEL MOUNT	BRASS	NICKEL

SD RELEASE EC NO: MEL2010-0043 DRWN: VOU CHKD: BWOODMAN APPR: JFMURPHY 2009/08/21 8/19/09	QUALITY SYMBOLS	GENERAL TOLERANCES (UNLESS SPECIFIED)		DIMENSION STYLE		SCALE	DESIGN UNITS	THIRD ANGLE PROJECTION	
	▽=0 ∇=0	mm	INCH	----	----	1:1	INCH		
		4 PLACES	±----	±----	DRAWN BY	DATE	TITLE		
		3 PLACES	±----	±0.05	VOU	2009/08/19	D-CODED ADAPTER STRAIGHT 4P FEM M12 TO FEM RJ45 BACK PANEL MOUNT M16X1.5		
	2 PLACES	±----	±0.10	CHECKED BY	DATE	MOLEX INCORPORATED			
	1 PLACE	±----	±0.20	BWOODMAN	2009/08/31	DOCUMENT NO.			
		ANGULAR ±1°		APPROVED BY	DATE	SD-120109-009		SHEET NO.	
		DRAFT WHERE APPLICABLE MUST REMAIN WITHIN DIMENSIONS		MATERIAL NO.		ER1PADAPTER		1 OF 1	
				SIZE	THIS DRAWING CONTAINS INFORMATION THAT IS PROPRIETARY TO MOLEX INCORPORATED AND SHOULD NOT BE USED WITHOUT WRITTEN PERMISSION				
				A					

X-ON Electronics

Largest Supplier of Electrical and Electronic Components

Click to view similar products for [molex](#) manufacturer:

Other Similar products are found below :

[1201140065](#) [90814-0008](#) [38210-0105](#) [60506-C-50](#) [69008-0971](#) [73108](#) [79516-1043](#) [72903](#) [1062837003](#) [0533241060](#) [68301-1017](#)
[03-12-1016](#) [71506-C](#) [90835-0003](#) [02-09-8104](#) [880504](#) [67490-3220](#) [387790039](#) [53254-0710](#) [85071-0017](#) [70984-4008](#) [387204903](#)
[03-12-2022](#) [783472003](#) [89674-0805](#) [514412093](#) [0026482195](#) [0191310031](#) [503308-4410](#) [02-09-6102](#) [0008650814](#) [0039000218](#) [89762-1403](#)
[89762-1542](#) [89762-1582](#) [0011404526](#) [00136](#) [0022173102](#) [0026615060](#) [CR4006A30M003](#) [0039532085](#) [58098-0628](#) [0003092041](#)
[0008520123](#) [0011030025](#) [0011184017](#) [0022162060](#) [0022552102](#) [01312](#) [M15730061](#)