

**PLEASE CHECK WWW.MOLEX.COM FOR LATEST PART INFORMATION**

**Part Number:** [1300540031](#)  
**Status:** **Active**  
**Overview:** Brad Industrial Ethernet Solutions  
**Description:** Micro-Change (M12) 4 Pole, Straight D-Coded Adapter Female to Female RJ45, M16 x 1.5 Back Panel Mount

**Documents:**

[Drawing \(PDF\)](#) [RoHS Certificate of Compliance \(PDF\)](#)

**General**

|                |  |
|----------------|--|
| Product Family | Industrial Receptacles                             |
| Series         | <a href="#">130054</a>                             |
| IP Rating      | IP67   |
| Overview       | <a href="#">Brad Industrial Ethernet Solutions</a> |
| Product Name   | Micro-Change (M12)                                 |
| Type           | Adapter  |
| UPC            | 78172551460  |

**Physical**

|                               |                     |
|-------------------------------|---------------------|
| Coupling Type                 | Internal Thread     |
| Gender                        | Female              |
| Keyway                        | D-coded             |
| Length                        | 0.0460m             |
| Material - Component          | Nickel-plated Brass |
| Mounting Thread Size          | M16                 |
| Net Weight                    | 47.627/g            |
| Orientation                   | Straight            |
| Panel Mount                   | Back                |
| Poles                         | 4                   |
| Temperature Range - Operating | -5° to +60°C        |
| Wire Size AWG                 | N/A                 |
| Wire/Cable Type               | N/A                 |

**Electrical**

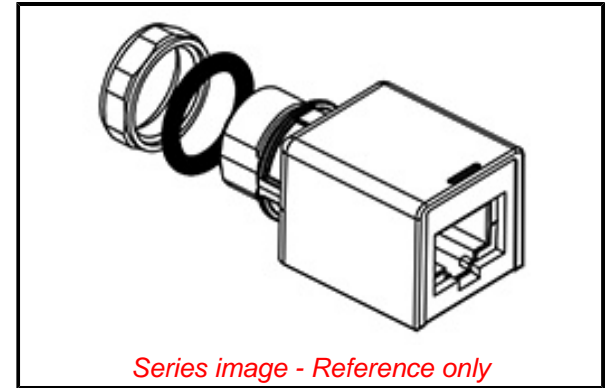
|                               |     |
|-------------------------------|-----|
| Current - Maximum per Contact | N/A |
| Voltage - Maximum             | N/A |

**Material Info**

|                    |             |
|--------------------|-------------|
| Engineering Number | ER1PADAPTER |
|--------------------|-------------|

**Reference - Drawing Numbers**

|               |                   |
|---------------|-------------------|
| Sales Drawing | SD-130054-003-001 |
|---------------|-------------------|



**EU ELV**

**Not Relevant**

**EU RoHS**

**Not Reviewed**

**REACH SVHC**

Not Reviewed

**Halogen-Free**

**Status**

**Not Reviewed**

For more information, please visit [Contact US](#)

China ROHS

Not Reviewed

ELV

Not Relevant

RoHS Phthalates

Not Reviewed

**China RoHS**

**Search Parts in this Series**

[130054](#) Series

## X-ON Electronics

Largest Supplier of Electrical and Electronic Components

*Click to view similar products for [Modular Connectors / Ethernet Connectors](#) category:*

*Click to view products by [Molex](#) manufacturer:*

Other Similar products are found below :

[8949-H88/06BLKA/SN](#) [74441-0010/BKN](#) [MP1010RX-1000](#) [MP44RX-1000](#) [PHP-6P6C-5](#) [GAX-3-66](#) [GAX-8-62](#) [GDCX-PA-66-50](#) [GDCX-PN-64](#) [GDCX-PN-66](#) [GDCX-PN-66-50](#) [GDLX-A-66](#) [GDLX-N-66](#) [GDLX-S-66](#) [GDLX-S-88K](#) [GDTX-S-88-50](#) [GDX-PA-1010](#) [GLX-N-1010M-BLK](#) [GLX-S-88M-BLK](#) [GMX-N-1010](#) [GMX-S-1010](#) [GMX-S-66](#) [GMX-SMT4-N-88](#) [GPX-2-64](#) [GSGX-N-2-88](#) [GSGX-N-4-88](#) [GSX-NS2-88-3.05](#) [GSX-NS2-88-3.05-50](#) [GSX-NS-88-3.05-50](#) [GSX-NS-88-3.68](#) [PT-108A-8C-UL](#) [PT-J951-8C](#) [PTS-J531-8CS-50UL](#) [1-1775629-2](#) [A-2014-0-4](#) [GWLX-S-88-GR](#) [GWLX-S9-88-YG](#) [DC-1021-8-WH-6](#) [1300530003](#) [1324640-4](#) [RJ11FTVC2G](#) [RJ11FTVC2N](#) [RJFTVX2SA1G](#) [132764-001](#) [1413235](#) [MP88X-1000](#) [MPS88RX-5000](#) [MRJR-5481-0F2](#) [E5288-S000K3-L](#) [E5908-15A242-L](#)