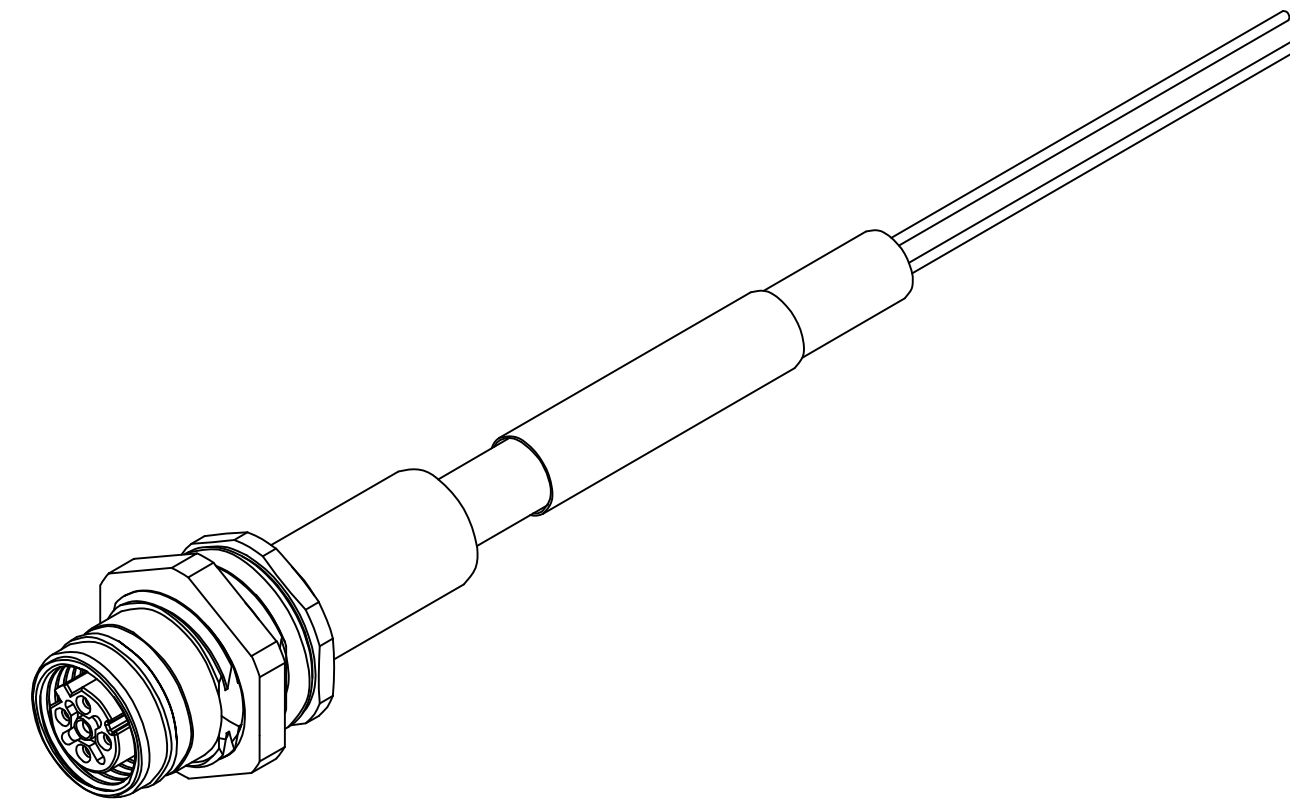
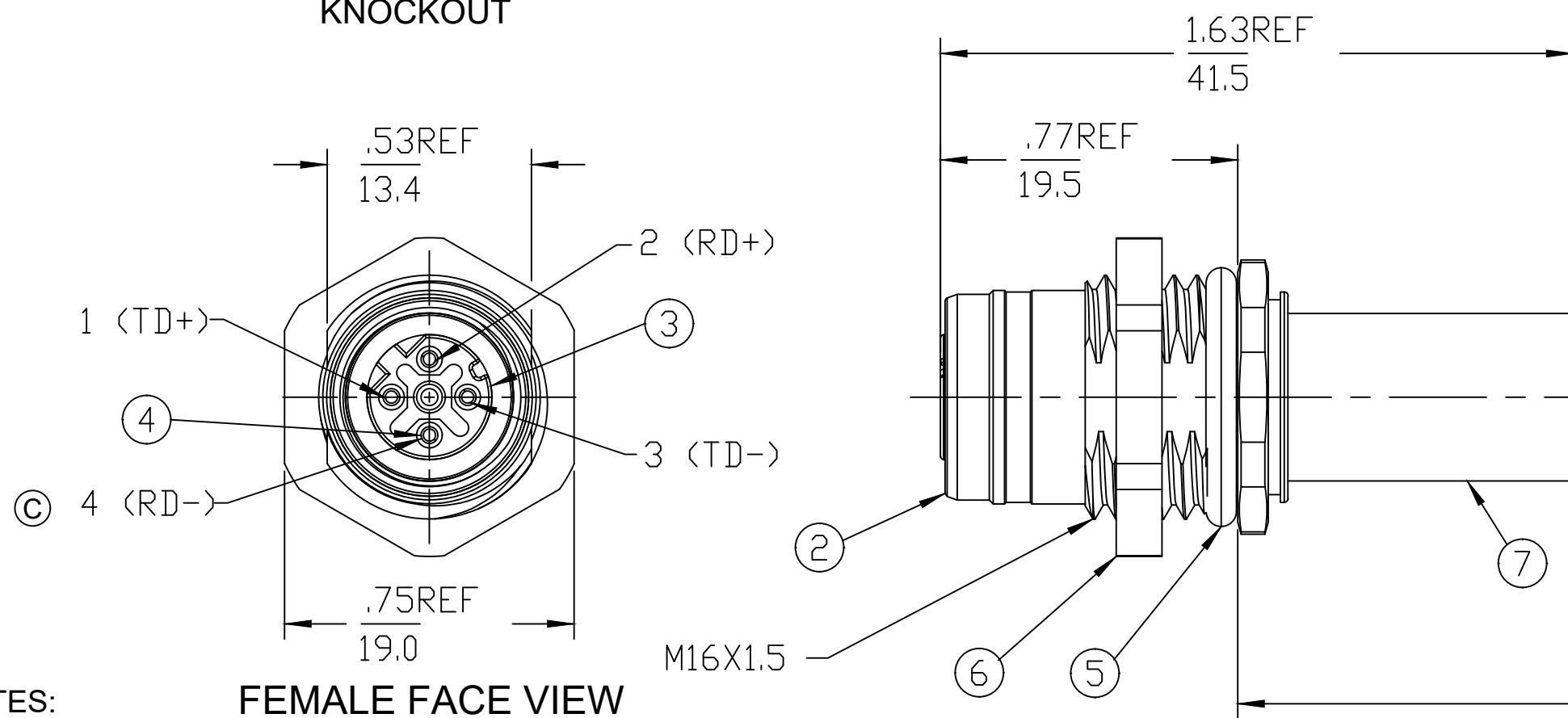
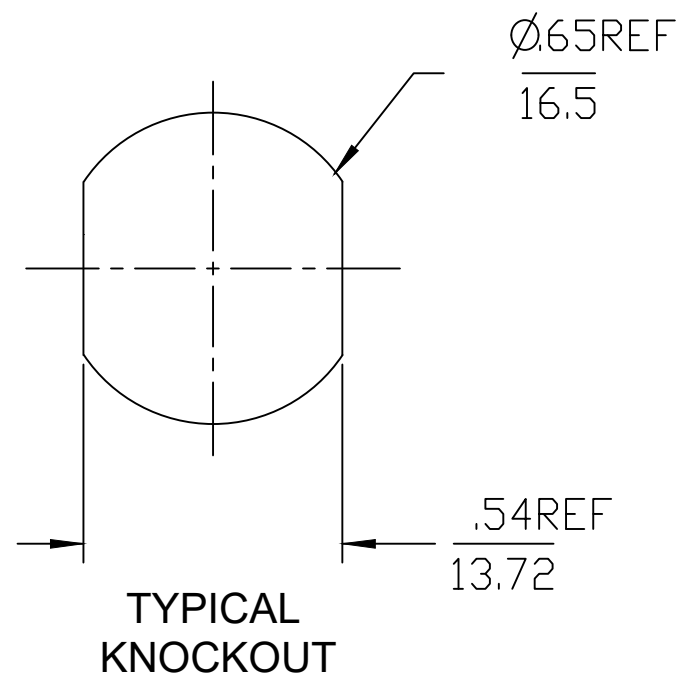


SAP P/N #	ENGINEERING P/N	FINISHED LENGTH
1300540032	ERWAAJ4004M020	76.56" + 3.50" -0 [2M +89.0 -0]



NOTES:

- 1) MATERIAL: SEE TABLE
- 2) FINISH:SEE TABLE
- 3) ELECTRICAL SPECIFICATIONS:  
VOTAGE: 125V  
CURRNT RATING: 1.5 AMPS
- 4) ENVIRONMENTAL:  
TEMPERATURE RANGE: -25°C TO 75°C  
IP67 WHEN FULLY MATED
- 5) ASSEMBLY IS RoHS COMPLIANT BY EXCEPTION

ITEM	DESCRIPTION	MATERIAL	FINISH
8	LABEL	VINYL	BLACK/YELLOW
7	SLEEVE	BRASS	NICKEL PLATED
6	PANEL NUT	CU ALLOY	NICKEL PLATED
5	O-RING	BUNA-N	BLACK
4	SOCKET CONTACT	CU ALLOY	GOLD PLATED
3	INSERT 4P	NYLON	BLACK
2	RECEPTACLE SHELL	BRASS	NICKEL PLATED
1	CABLE #24-4	ETHERNET CAT 5e(TPE)	TEAL

WIRING CONNECTION

- |   |              |
|---|--------------|
| 1 | WHITE/ORANGE |
| 2 | WHITE/GREEN  |
| 3 | ORANGE       |
| 4 | GREEN        |

ERWAAJ4004M010

LENGTH  
M005 = .5 METER  
M010 = 1 METER  
M100 = 10 METER

CABLE LENGTH TOLERANCES	
>.3M [1FT]:	+19mm-0 [+1.75in-0]
.3 - .9M [1 - 3FT]:	+44.5mm-0 [+1.75in-0]
.9 - 1.8M [3 - 6FT]:	+55.6mm-0 [+2.19in-0]
1.8 - 3.7M [6 - 12FT]:	+88.9mm-0 [+3.50in-0]
3.7 - 7.3M [12 - 24FT]:	+165.1mm-0 [+6.50in-0]
7.3-14.6M [24 - 48FT]:	+317.5mm-0 [+12.50in-0]
14.6 - 30.5M [48-100FT]:	+622.3mm-0 [+24.50in-0]
OVER 30M [100FT]	+2% OF FINISHED LENGTH

FUNCTIONAL SYMBOLS												THIS DRAWING CONTAINS INFORMATION THAT IS PROPRIETARY TO MOLEX ELECTRONIC TECHNOLOGIES, LLC AND SHOULD NOT BE USED WITHOUT WRITTEN PERMISSION											
DIMENSION UNITS				SCALE				CURRENT REV DESC: UPDATE PIN 4 TO RD-															
INCH/MM				NTS																			
GENERAL TOLERANCES (UNLESS SPECIFIED)												EC NO: 663650											
4 PLACES ±----												DRWN: CCHRSTKA 2021/05/11											
3 PLACES ±----												CHK'D: MZIELINSKI 2021/05/13											
2 PLACES ±----												APPR: BWOODMAN 2021/05/14											
1 PLACE ±----												INITIAL REVISION:											
0 PLACES ±----												DRWN: CCHRSTKA 2018/10/09											
ANGULAR TOL ± ---- °												APPR: BWOODMAN 2018/10/16											
DRAFT WHERE APPLICABLE MUST REMAIN WITHIN DIMENSIONS				THIRD ANGLE PROJECTION				DRAWING				SERIES											
								C-SIZE				130054											
DOCUMENT STATUS				P1				RELEASE DATE				2021/05/14 23:22:57											
DOCUMENT NUMBER				SD-130054-004				DOC TYPE				PSD											
CUSTOMER				GENERAL MARKET				DOC PART				001											
SHEET NUMBER				1 OF 1				REVISION				C											

## X-ON Electronics

Largest Supplier of Electrical and Electronic Components

*Click to view similar products for [Sensor Cables / Actuator Cables](#) category:*

*Click to view products by [Molex](#) manufacturer:*

Other Similar products are found below :

[60963](#) [60964](#) [M83513/19-F01CP](#) [703000D02F2002](#) [703001D02F0602](#) [703001D02F300](#) [704000D02F120](#) [773032K02F030](#) [802027107404-1](#)  
[802027213811-1](#) [804001A09M150](#) [805001A09M0502](#) [84914-0235](#) [84914-0237](#) [885030A09M020](#) [8R4J30E03C3003](#) [1200651332](#)  
[1200651713](#) [1200660844](#) [1200660845](#) [1200661173](#) [1200680071](#) [1200720053](#) [1200720081](#) [1200720099](#) [1200720217](#) [1200800231](#)  
[1200860125](#) [1200870123](#) [1200980102](#) [1200650267](#) [1200650298](#) [1200660183](#) [1200660782](#) [1200660849](#) [1200661295](#) [1200661297](#)  
[1200661342](#) [1200661343](#) [1200670080](#) [1200670220](#) [1200680331](#) [1200720252](#) [1200730184](#) [1200860344](#) [1200870359](#) [1200870643](#)  
[1200980008](#) [1200980031](#) [1210502211](#)