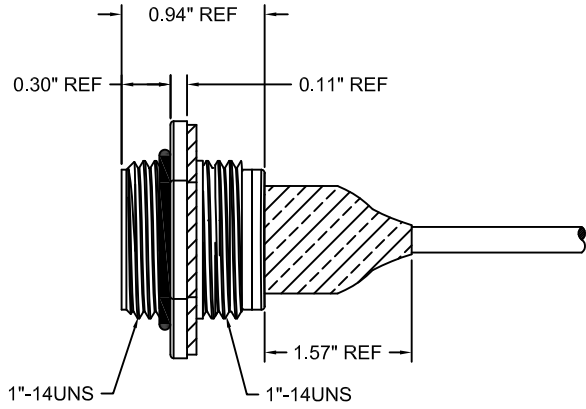
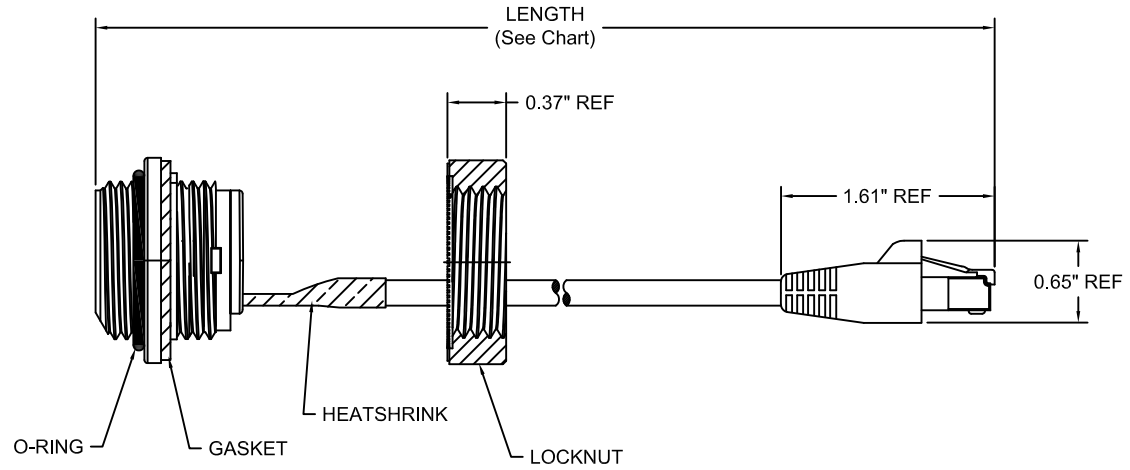
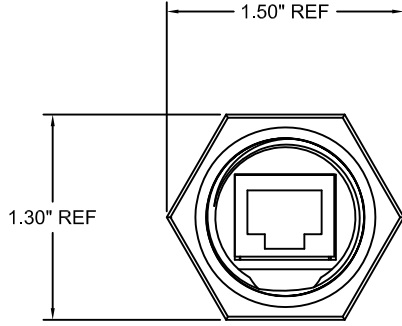


MATERIAL #	ENGINEERING #	LENGTH
1300550013	ENSP3F5C305	305mm (+19.1mm / -0)
1300558003	ENSP3F5C450	450mm (+44.5mm / -0)
1300558005	ENSP3F5C670	670mm (+44.5mm / -0)
1300555002	ENSP3F5M010	1.0M (+55.6mm / -0)

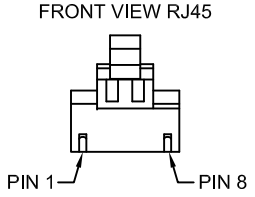
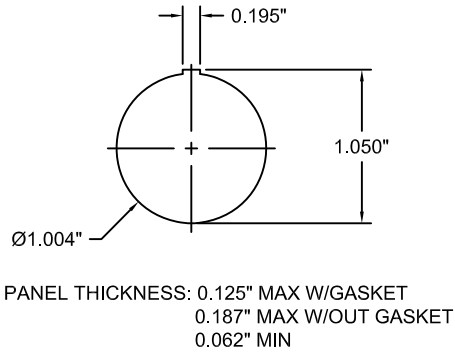


WIRING (568B)	
PIN #	COLOR
1	WHITE/ORANGE
2	ORANGE
3	WHITE/GREEN
4	BLUE
5	WHITE/BLUE
6	GREEN
7	WHITE/BROWN
8	BROWN
GND	DRAIN WIRE



SPECS:
HOUSING: ABS - BLACK
LOCKNUT: ABS - BLACK
GASKET: NITRILE - BLACK
O-RING: VITON - BROWN
RJ45 PLUG: POLYCARBONATE - CLEAR
RJ45 BOOT: POLYOLEFIN - BLACK
CABLE: 24AWG SOLID CONDUCTORS
4 TWISTED PAIRS
FOIL SHIELD W/ DRAIN WIRE
BLACK PUR JACKET
TIA/EIA RATING: CAT5E
ELECTRICAL: 125V DC, 1.5A
TEMPERATURE: -20°C to 80°C
PROTECTION: IP67

PANEL KNOCKOUT



REFERENCE
USE ONLY

DESCRIPTION REV	GENERAL TOLERANCES (UNLESS SPECIFIED)		DIMENSION STYLE	SCALE	DESIGN UNITS	 THIRD ANGLE PROJECTION	
		mm	INCH	DRAWN BY	DATE		TITLE
	4 PLACES			RB	09/16/2010		BRAD CONNECTIVITY
	3 PLACES			CHECKED BY	DATE		INDUSTRIAL ETHERNET RJ-LNxx
	2 PLACES			---	---	PANEL RECEPTACLE / MALE RJ45	
	1 PLACE			---	---	MOLEX INCORPORATED	
DRAFT WHERE APPLICABLE MUST REMAIN WITHIN DIMENSIONS		MATERIAL NO.		DOCUMENT	SHEET NO.		
		SEE CHART		ENSP3F5XXXX	1 OF 1		
SIZE C		THIS DRAWING CONTAINS INFORMATION THAT IS PROPRIETARY TO MOLEX INCORPORATED AND SHOULD NOT BE USED WITHOUT WRITTEN PERMISSION					

X-ON Electronics

Largest Supplier of Electrical and Electronic Components

Click to view similar products for [Ethernet Cables / Networking Cables](#) category:

Click to view products by [Molex](#) manufacturer:

Other Similar products are found below :

[73-6670-7](#) [73-6680-15](#) [73-7797-25](#) [MCJB2-10P6Q7-120](#) [84909-0204](#) [1200700174](#) [1200860368](#) [E16A06002M030](#) [E200102-009-S1](#)
[AX105346-EW](#) [MT14-187L](#) [17-103530](#) [ERWPAB3002M005](#) [190-038045-01](#) [NK5EPC18RDY](#) [NK5EPC18VLY](#) [NK5EPC18YLY](#)
[NK5EPC1GRY](#) [NK5EPC4Y](#) [NK5EPC6YLY](#) [NK5EPC8BLY](#) [NK5EPC9YLY](#) [1969343-6](#) [C501100010](#) [C501106002](#) [C501106007](#)
[C501106015](#) [C501106025](#) [C601102010](#) [C601104010](#) [C601106007](#) [C601106015](#) [2142758-2](#) [2168427-2](#) [CAT1106007](#) [21949-1](#) [2J1866A](#)
[RJF SFTP 5E 0500](#) [AX100351](#) [MN14CEC/ST](#) [C501100015](#) [C501106004](#) [C501106010](#) [C5F1108007](#) [C601104004](#) [C601106004](#)
[CA21106004](#) [CA21106010](#) [CA21106015](#) [CA21109007](#)