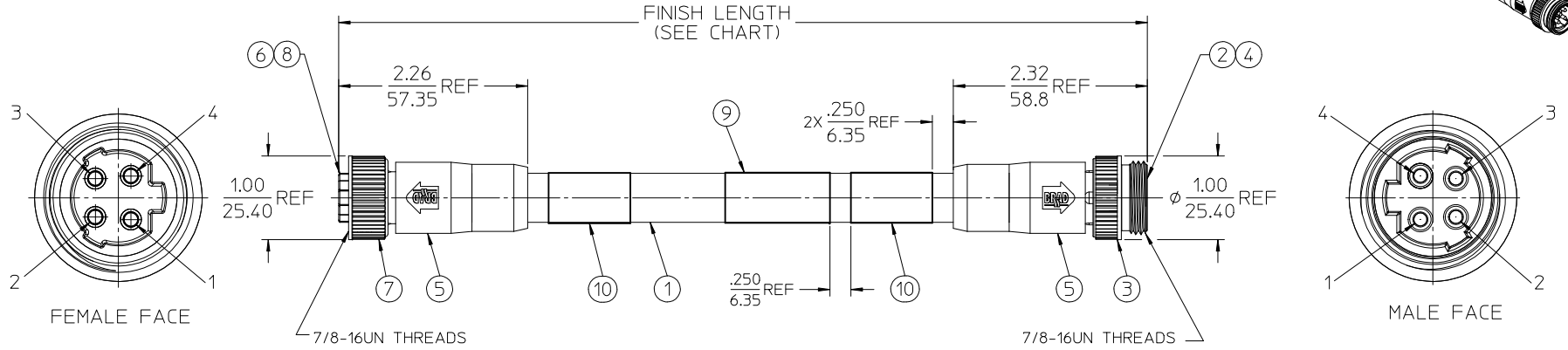
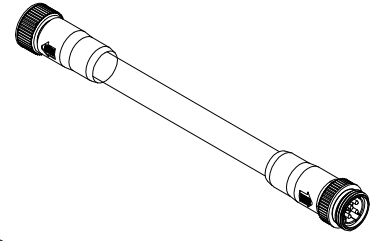


13	12	11	10	9	8	7	6	5	4	3	2	1
PART NUMBER	ENGINEERING NUMBER	FINISH LENGTH										
1300620221	114130A56M020	6.56' +3.50"-0 [2M +88.9 -0]										



NOTES:

- 1) MATERIAL: SEE TABLE
- 2) FINISHES: SEE TABLE
- 3) WRAP LABEL IS MARKED WITH P/N, DATE CODE VOLTAGE & AMPERAGE
- 4) MATES WITH: MINI CHANGE ALT-KEY, 4 POLE RECEPTACLE
- 5) ELECTRICAL DATA:  
 14AWG UL TYPE: TC-ER/ST00W STRANDED CABLE  
 POLES: 4  
 MAX VOLTAGE: 600V  
 MAX CURRENT: 15A  
 PROTECTION IP67  
 TEMPERATURE RANGE: -20°C TO 90°C
- 6) PACKAGING:  
 CABLE ASSEMBLIES ARE BAGGED SEPERATLY IN POLY BAGS WITH BAR CODE LABEL ATTACHED TO OUTSIDE OF BAG.
- 7) ASSEMBLY IS RoHS COMPLIANT
- 8) AGENCY CERTIFICATIONS:  
 UL 2237 LISTED, E258922

S1	BLACK	P1
1	WHITE	1
2	RED	2
3	GREEN/YELLOW OR GREEN	3
4		4

WIRING DIAGRAM

CUSTOMER PRODUCTION APPROVAL  
 APPROVED BY: \_\_\_\_\_  
 DATE: \_\_\_\_\_  
 MUST BE SIGNED AND RETURNED BEFORE PRODUCTION WILL BEGIN.

10	2	WARNING LABEL	MYLAR	N/A
9	1	LABEL	MYLAR	BLACK/YELLOW
8	1	FEMALE INSERT	PVC	BLACK
7	1	FEMALE COUPLING NUT	ZINC ALLOY	BLACK
6	4	SOCKET CONTACT	CU ALLOY	GOLD PLATE
5	2	OVERMOLD	PVC	BLACK
4	1	MALE INSERT	PVC	BLACK
3	1	MALE COUPLING NUT	ZINC ALLOY	BLACK
2	4	PIN CONTACT	CU ALLOY	GOLD PLATE
1	SEE TABLE	CABLE 14AWG-TC-ER/ST00W	PVC	BLACK
ITEM	QTY	DESCRIPTION	MATERIAL	FINISH

RELEASED	EC NO: MNA2011-0552	2012/01/16
DRW: BRUPERT	CHKD: JFMURPHY	APPR: JFMURPHY
REV	DESCRIPTION	DATE
A		2012/03/20

QUALITY SYMBOLS	GENERAL TOLERANCES (UNLESS SPECIFIED)
▽=0	
▽=0	
	DRAFT WHERE APPLICABLE MUST REMAIN WITHIN DIMENSIONS

DRAWN BY	DATE
BRUPERT	2011/07/11
CHECKED BY	DATE
JFMURPHY	2012/03/20
APPROVED BY	DATE
JFMURPHY	2012/03/20
MATERIAL NO.	SEE CHART
SIZE	C

SCALE	DESIGN UNITS	THIRD ANGLE PROJECTION
1.5:1	INCH	
TITLE		
MC 4P FEM/MALE STR/STR 4 POLE ALT KEY 14-4 TC ER BLACK JACKET		
MOLEX INCORPORATED		
DOCUMENT NO.	SHEET NO.	
SD-130062-009	1 OF 1	
THIS DRAWING CONTAINS INFORMATION THAT IS PROPRIETARY TO MOLEX INCORPORATED AND SHOULD NOT BE USED WITHOUT WRITTEN PERMISSION		

## X-ON Electronics

Largest Supplier of Electrical and Electronic Components

*Click to view similar products for [Sensor Cables / Actuator Cables](#) category:*

*Click to view products by [Molex](#) manufacturer:*

Other Similar products are found below :

[60963](#) [60964](#) [703000D02F2002](#) [703001D02F0602](#) [703001D02F300](#) [704000D02F120](#) [773032K02F030](#) [802027107404-1](#) [802027213811-1](#)  
[804001A09M150](#) [805001A09M0502](#) [84914-0235](#) [84914-0237](#) [885030A09M020](#) [8R4J30E03C3003](#) [1200651332](#) [1200651713](#) [1200660844](#)  
[1200660845](#) [1200661173](#) [1200680071](#) [1200720053](#) [1200720081](#) [1200720099](#) [1200720217](#) [1200800231](#) [1200860125](#) [1200870123](#)  
[1200980102](#) [1200650267](#) [1200650298](#) [1200660183](#) [1200660782](#) [1200660849](#) [1200661295](#) [1200661297](#) [1200661342](#) [1200661343](#)  
[1200670080](#) [1200670220](#) [1200680331](#) [1200720252](#) [1200730184](#) [1200860344](#) [1200870359](#) [1200870643](#) [1200980008](#) [1200980031](#)  
[1210502211](#) [1210400542](#)