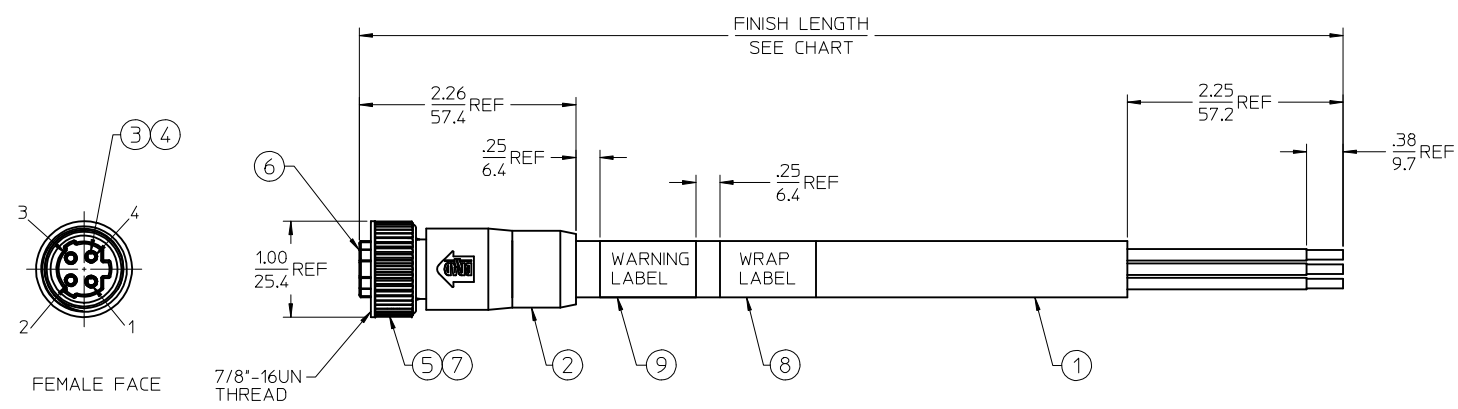
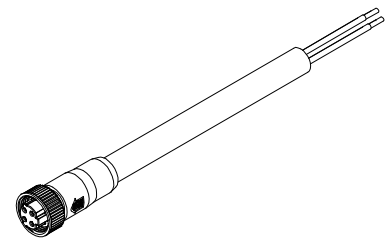


PART NUMBER	ENGINEERING NUMBER	FINISH LENGTH
1300620235	104100A81M020	6.56' +3.50"-0 [2M +88.9-0]
1300620236	104100A81M050	16.40' +6.50"-0 [5M +165.1-0]
1300620237	104100A81M100	32.81' +12.50"-0 [10M +317.5-0]
1300620251	104100A81M300	98.42' +24.50"-0 [30M +622-0]



NOTES:

- 1) MATERIAL: SEE TABLE
- 2) FINISHES: SEE TABLE
- 3) WRAP LABEL IS MARKED WITH P/N, DATE CODE VOLTAGE & AMPERAGE
- 4) MATES WITH: MINI CHANGE ALT-KEY, 4 POLE RECEPTACLE
- 5) ELECTRICAL DATA:  
 2.5mm<sup>2</sup>, CEI 20-22II, 450/750V  
 POLES: 4  
 MAX VOLTAGE: 600V  
 MAX CURRENT: 15A  
 PROTECTION IP67  
 TEMPERATURE RANGE: -5°C TO 70°C
- 6) PACKAGING:  
 CABLE ASSEMBLIES ARE BAGGED SEPERATLY IN POLY BAGS WITH BAR CODE LABEL ATTACHED TO OUTSIDE OF BAG.
- 7) ASSEMBLY IS RoHS COMPLIANT

CUSTOMER PRODUCTION APPROVAL  
 APPROVED BY: \_\_\_\_\_  
 DATE: \_\_\_\_\_  
 MUST BE SIGNED AND RETURNED BEFORE PRODUCTION WILL BEGIN.

S1

1	BROWN
2	BLACK
3	GREY
4	GREEN/YELLOW

WIRING DIAGRAM

ITEM	QTY	DESCRIPTION	MATERIAL	FINISH
9	1	WARNING LABEL	MYLAR	N/A
8	1	LABEL	MYLAR	BLACK/YELLOW
7	1	FRICITION RING	NYLON	NATURAL
6	1	FEMALE INSERT	PVC	BLACK
5	1	FEMALE COUPLING NUT	ZINC ALLOY	BLACK
4	4	SOCKET SLEEVE	STAINLESS STEEL	
3	4	SOCKET CONTACT	CU ALLOY	GOLD PLATE
2	1	OVERMOLD	PVC	BLACK
1	SEE TABLE	CABLE 2.5mm <sup>2</sup> , (14AWG) 4 COND.	PVC	GREY

ADD 30M LENGTH	EC NO: IPG2013-1201	2013/02/05
DRWN: BRUPERT	CHKD: JFMURPHY	2013/04/27
APPR: JFMURPHY	DESCRIPTION	
REV		

QUALITY SYMBOLS	GENERAL TOLERANCES (UNLESS SPECIFIED)
▽=0	mm INCH
▽=0	4 PLACES ± --- ± ---
	3 PLACES ± --- ± ---
	2 PLACES ± 0.05 ± ---
	1 PLACE ± 0.10 ± ---
	0 PLACE ± --- ± ---
	ANGULAR ± .5 °
	DRAFT WHERE APPLICABLE MUST REMAIN WITHIN DIMENSIONS

DIMENSION STYLE		SCALE	DESIGN UNITS	THIRD ANGLE PROJECTION
IN/MM		1:1	INCH	☉ □
DRAWN BY	DATE	TITLE		
BRUPERT	2013/02/05	MC 4P FEM/STR ALT KEY		
CHECKED BY	DATE	2.5MM <sup>2</sup> (14AWG)		
		GREY PVC CABLE		
APPROVED BY	DATE	molex		
JFMURPHY	2013/04/27	DOCUMENT NO. SD-130062-235		
MATERIAL NO.	SIZE	SHEET NO. 1 OF 1		
SEE CHART	C	THIS DRAWING CONTAINS INFORMATION THAT IS PROPRIETARY TO MOLEX INCORPORATED AND SHOULD NOT BE USED WITHOUT WRITTEN PERMISSION		

## X-ON Electronics

Largest Supplier of Electrical and Electronic Components

*Click to view similar products for [Sensor Cables / Actuator Cables](#) category:*

*Click to view products by [Molex](#) manufacturer:*

Other Similar products are found below :

[60963](#) [60964](#) [M83513/19-F01CP](#) [703000D02F2002](#) [703001D02F0602](#) [703001D02F300](#) [704000D02F120](#) [773032K02F030](#) [802027107404-1](#)  
[802027213811-1](#) [804001A09M150](#) [805001A09M0502](#) [84914-0235](#) [84914-0237](#) [885030A09M020](#) [8R4J30E03C3003](#) [1200651332](#)  
[1200651713](#) [1200660844](#) [1200660845](#) [1200661173](#) [1200680071](#) [1200720053](#) [1200720081](#) [1200720099](#) [1200720217](#) [1200800231](#)  
[1200860125](#) [1200870123](#) [1200980102](#) [1200650267](#) [1200650298](#) [1200660183](#) [1200660782](#) [1200660849](#) [1200661295](#) [1200661297](#)  
[1200661342](#) [1200661343](#) [1200670080](#) [1200670220](#) [1200680331](#) [1200720252](#) [1200730184](#) [1200860344](#) [1200870359](#) [1200870643](#)  
[1200980008](#) [1200980031](#) [1210502211](#)