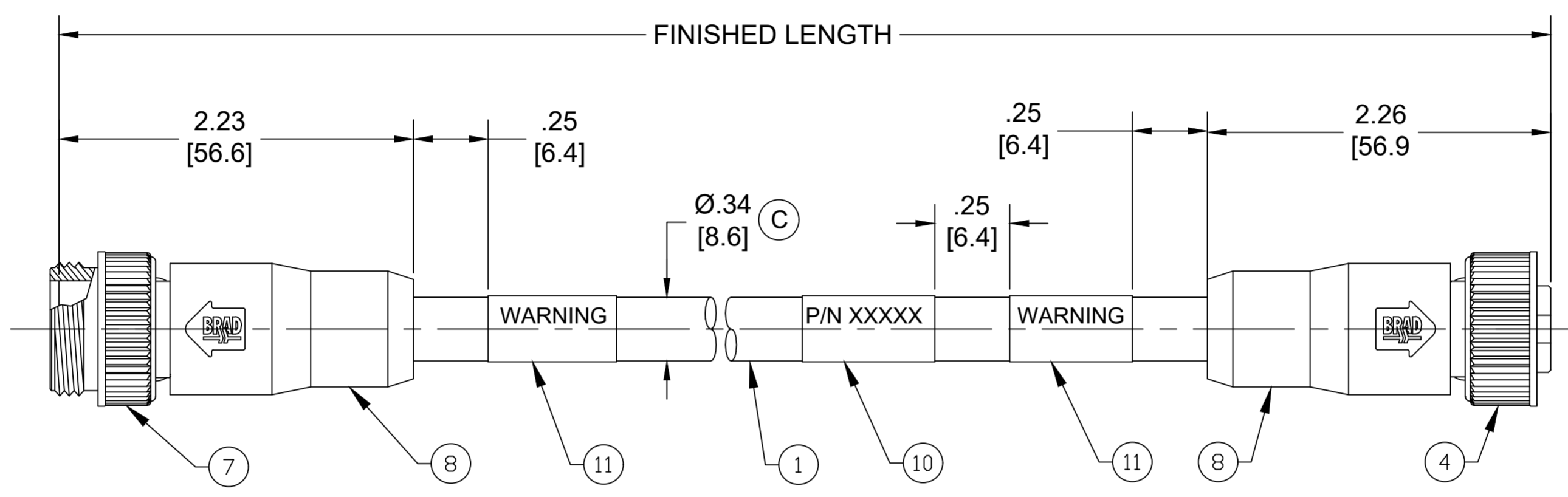
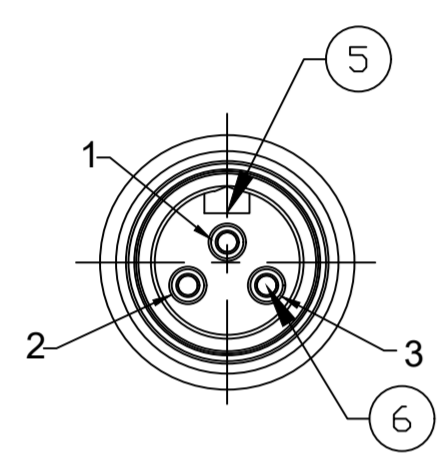


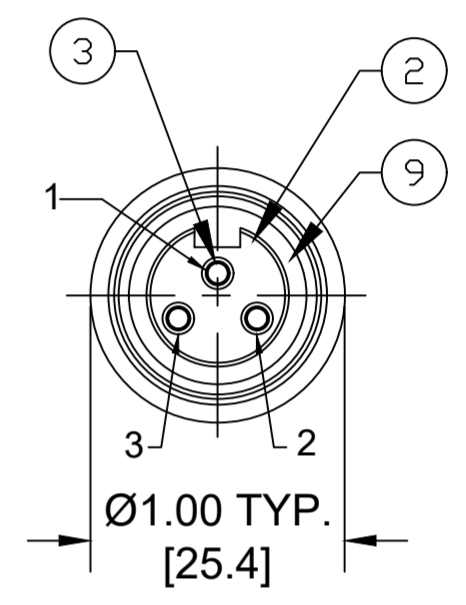
PART NO	ENGINEERING NO.	FINISHED LENGTH
1300621009	113030K20M020	2M [6 FT 7 IN]
1300621153	113030K20M900G	90M [295 FT 3 IN]
1300621122	113030K20T170E	170M [557 FT 9 IN]

CABLE LENGTH TOLERANCES	
<.3M [1FT]:	+19mm-0 [+.75in-0]
.3 - .9M [1 - 3FT]:	+44.5mm-0 [+1.75in-0]
.9 - 1.8M [3 - 6FT]:	+55.6mm-0 [+2.19in-0]
1.8 - 3.7M [6 - 12FT]:	+88.9mm-0 [+3.50in-0]
3.7 - 7.3M [12 - 24FT]:	+165.1mm-0 [+6.50in-0]
7.3-14.6M [24 - 48FT]:	+317.5mm-0 [+12.50in-0]
14.6 - 30.5M [48-100FT]:	+622.3mm-0 [+24.50in-0]
OVER 30M [100FT]	+2% OF FINISHED LENGTH

MALE - FACE VIEW



FEMALE - FACE VIEW



- NOTES:**
1. MATERIAL: AS NOTED
 2. FINISH: AS NOTED
 3. ELECTRICAL:
VOLTAGE: 500V PER IEC60664
600V PER UL2237
CURRENT: 15A
 4. TEMP RATING: -20° TO +90°C
 5. PROTECTION: IP67 (WHEN MATED)
 6. COUPLING THREAD: 7/8"-16UN
 7. UL LISTED FILE: E258922
 8. ALL DIMENSIONS ARE FOR REFERENCE UNLESS TOLERANCED OR NOTED OTHERWISE

PART NO. MATRIX
113030K20M020E

FINISHED LENGTH
M005= 0.5 METER
M010= 1 METER
M100= 10 METER
T100= 100 FEET
T150= 150 FEET

MOLD COLOR:
BLANK= GRAY (STD)
E= RED
G= BLACK

1	GRN/YEL	1
2	BLACK	2
3	WHITE	3

WIRING DIAGRAM

ITEM	COMPONENT	MATERIAL	FINISH
11	WARNING LABEL	VINYL	ORANGE/BLACK
10	WRAP LABEL	VINYL	BLACK/YELLOW
9	FRICTION RING	NYLON	NATURAL
8	OVERMOLD	TPE	SEE P/N MATRIX
7	MALE COUPLING NUT	ZINC ALLOY	BLACK E-COAT
6	CONTACT PIN	Cu ALLOY	GOLD PLATED
5	MALE INSERT	TPE	BLACK
4	FEMALE COUPLING NUT	ZINC ALLOY	BLACK E-COAT
3	CONTACT SOCKET	Cu ALLOY	GOLD PLATED
2	FEMALE INSERT	TPE	BLACK
1	CABLE 14AWG TC-ER	TPE JACKET	BLACK

FUNCTIONAL SYMBOLS $F_A=0$ $F_C=0$ $F_P=0$ DIVISIONAL SYMBOLS	THIS DRAWING CONTAINS INFORMATION THAT IS PROPRIETARY TO MOLEX ELECTRONIC TECHNOLOGIES, LLC AND SHOULD NOT BE USED WITHOUT WRITTEN PERMISSION DIMENSION UNITS: INCH/MM SCALE: NTS GENERAL TOLERANCES (UNLESS SPECIFIED): 4 PLACES ±--- ±--- 3 PLACES ±--- ±--- 2 PLACES ±--- ±--- 1 PLACE ±--- ±--- 0 PLACES ±--- ±--- ANGULAR TOL ± --- ° DRAFT WHERE APPLICABLE MUST REMAIN WITHIN DIMENSIONS	CURRENT REV DESC: ITEM 2, 5 & 8 WERE PVC. ADDED CABLE DIA. MODIFIED PART NUMBER CHART EC NO: 663067 DRWN: ABENJAMINLW 2020/10/28 CHK'D: RSTONE 2021/05/06 APPR: BWOODMAN 2021/05/13 INITIAL REVISION: DRWN: GGUSTAFS 2014/07/09 APPR: BWOODMAN 2014/09/04		
	MINI-CHANGE CORDSET, A-SIZE, 3 POLE, MALE-FEMALE, STRAIGHT, SINGLE KEY, #14 AWG		PRODUCT CUSTOMER DRAWING	
	DOCUMENT NUMBER: SD-130062-021	DOC TYPE/DOC PART: PSD 001	REVISION: C	
	MATERIAL NUMBER: SEE CHART	CUSTOMER: GENERAL MARKET	SHEET NUMBER: 1 OF 1	DRAWING: C-SIZE SERIES: 130062

X-ON Electronics

Largest Supplier of Electrical and Electronic Components

Click to view similar products for [Sensor Cables / Actuator Cables](#) category:

Click to view products by [Molex](#) manufacturer:

Other Similar products are found below :

[60963](#) [60964](#) [703000D02F2002](#) [703001D02F0602](#) [703001D02F300](#) [704000D02F120](#) [773032K02F030](#) [802027107404-1](#) [802027213811-1](#)
[804001A09M150](#) [805001A09M0502](#) [84914-0235](#) [84914-0237](#) [885030A09M020](#) [8R4J30E03C3003](#) [1200651332](#) [1200651713](#) [1200660844](#)
[1200660845](#) [1200661173](#) [1200680071](#) [1200720053](#) [1200720081](#) [1200720099](#) [1200720217](#) [1200800231](#) [1200860125](#) [1200870123](#)
[1200980102](#) [1200650267](#) [1200650298](#) [1200660183](#) [1200660782](#) [1200660849](#) [1200661295](#) [1200661297](#) [1200661342](#) [1200661343](#)
[1200670080](#) [1200670220](#) [1200680331](#) [1200720252](#) [1200730184](#) [1200860344](#) [1200870359](#) [1200870643](#) [1200980008](#) [1200980031](#)
[1210502211](#) [1210400542](#)