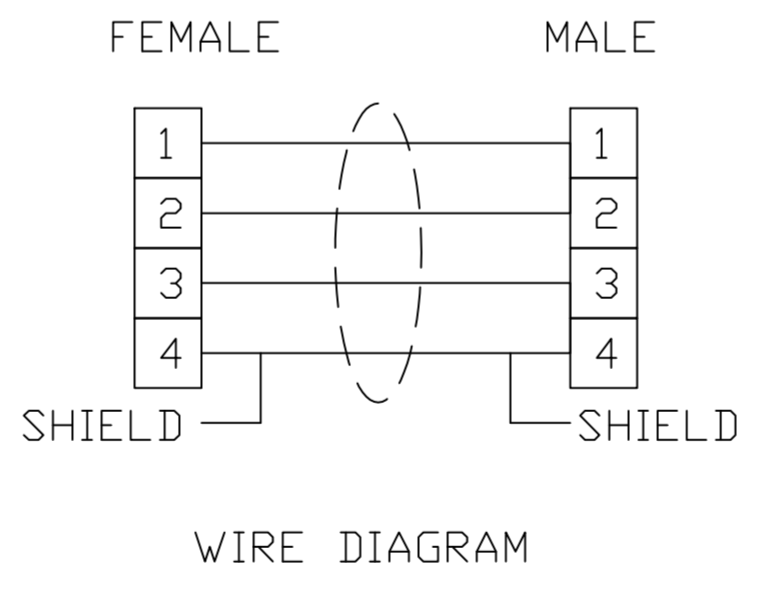
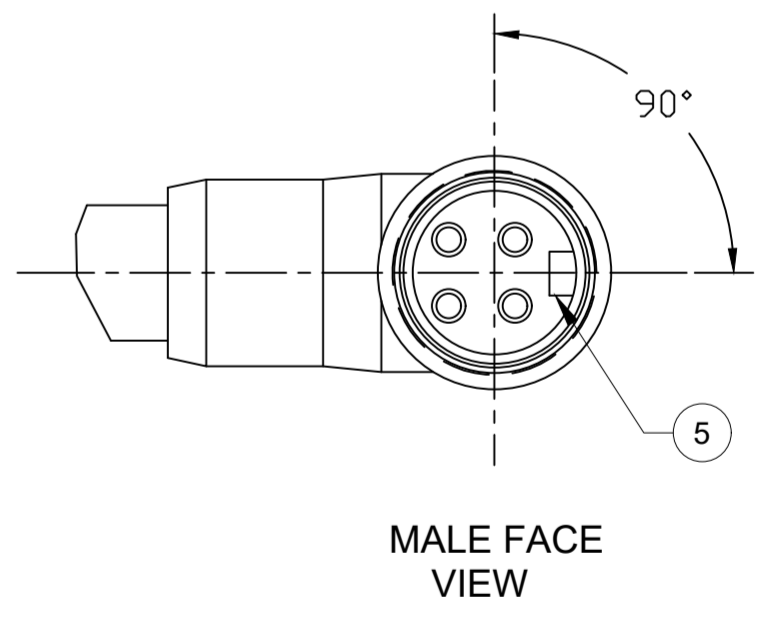
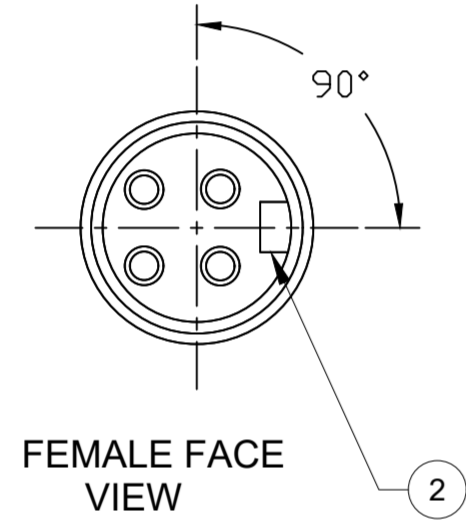
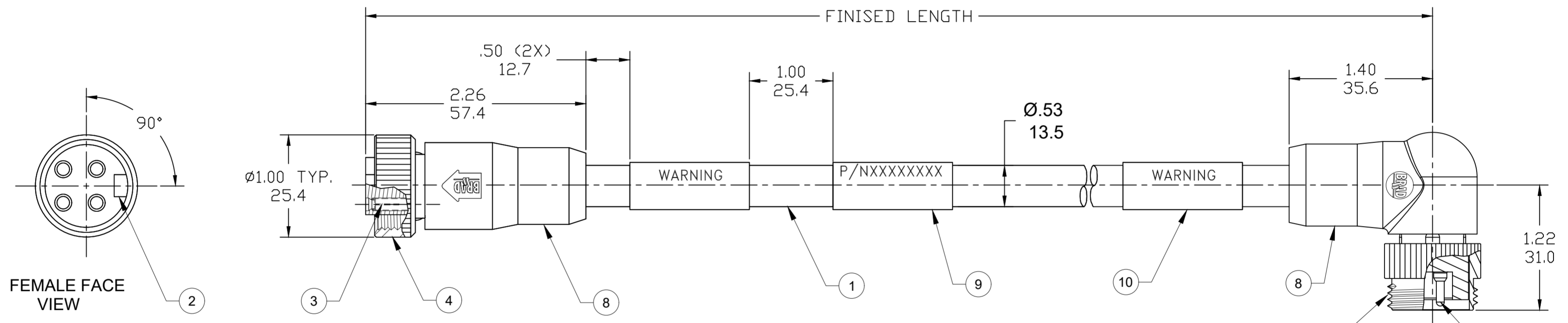


PART NO.	ENGINEERING NO.	FINISHED LENGTH
1300621276	114032K31M010	1M (3' 3")
1300621277	114032K31M020	2M (6' 7")
1300621283	114032K31M100	10M (32' 10")

CABLE LENGTH TOLERANCES
 <.3M [1FT]: +19mm-0 [+ .75in-0]
 .3 - .9M [1 - 3FT]: +44.5mm-0 [+1.75in-0]
 .9 - 1.8M [3 - 6FT]: +55.6mm-0 [+2.19in-0]
 1.8 - 3.7M [6 - 12FT]: +88.9mm-0 [+3.50in-0]
 3.7 - 7.3M [12 - 24FT]: +165.1mm-0 [+6.50in-0]
 7.3-14.6M [24 - 48FT]: +317.5mm-0 [+12.50in-0]
 14.6 - 30.5M [48-100FT]: +622.3mm-0 [+24.50in-0]
 OVER 30M [100FT] +2% OF FINISHED LENGTH

PART NUMBER LEGEND
 114032K31M010
 CABLE TYPE: 16/4 TC-ER TPE SHLD FLEX
 FINISHED LENGTH:
 M005= 0.5 METER
 M010= 1 METER
 M100= 10 METER



- NOTES:**
1. MATERIAL: AS NOTED
 2. FINISH: AS NOTED
 3. ELECTRICAL:
 VOLTAGE: 483 PER IEC 60664
 600 PER UL 2237
 CURRENT: 10A
 4. TEMP RATING: -25°TO +90°C
 5. PROTECTION: IP67 (WHEN MATED)
 6. COUPLING THREAD: 7/8-16 UN
 7. CABLE FLEX CYCLE RATING: 10 MILLION
 8. AGENCY APPROVAL: UL 2237 PENDING
 9. ALL DIMS ARE FOR REFERENCE UNLESS TOLERANCED OR NOTED OTHERWISE

ITEM	DESCRIPTION	MATERIAL	FINISH
10	WARNING LABEL	VINYL	BLACK/DRANGE
9	WRAP LABEL	VINYL	BLACK/YELLOW
8	OVERMOLD	TPE	GRAY
7	COUPLING, MALE	ZINC DIE CAST	BLACK
6	CONTACT PIN	COPPER ALLOY	GOLD PLATED
5	MALE INSERT (A-SIZE)	TPE	BLACK
4	COUPLING, FEMALE	ZINC DIE CAST	BLACK
3	CONTACT SOCKET	COPPER ALLOY	GOLD PLATED
2	FEMALE INSERT (A-SIZE)	TPE	BLACK
1	CABLE, 16AWG VFD (FLEX)	TPE JACKET	BLACK
ITEM	DESCRIPTION	MATERIAL	FINISH

THIS DRAWING CONTAINS INFORMATION THAT IS PROPRIETARY TO MOLEX ELECTRONIC TECHNOLOGIES, LLC AND SHOULD NOT BE USED WITHOUT WRITTEN PERMISSION

FUNCTIONAL SYMBOLS: FA=0, FE=0, FP=0

DIMENSION UNITS: INCH/MM, SCALE: NTS

GENERAL TOLERANCES (UNLESS SPECIFIED): 4 PLACES ±.004, 3 PLACES ±.005, 2 PLACES ±.006, 1 PLACE ±.008, 0 PLACES ±.010

ANGULAR TOL ±.004°

DRAFT WHERE APPLICABLE MUST REMAIN WITHIN DIMENSIONS

THIRD ANGLE PROJECTION

DRAWING: C-SIZE

SERIES: 130062

CURRENT REV DESC: UPDATE BORDER, CORRECT CABLE LENGTH TOLS.

EC NO: 667859
 DRWN: RSTONE 2021/06/22
 CHK'D: CCHRSTKA 2021/06/23
 APPR: BWOODMAN 2021/06/25

INITIAL REVISION:
 DRWN: RSTONE 2019/02/26
 APPR: BWOODMAN 2019/08/14

molex

BRAD POWER CABLE ASSY
 4P MALE/FEM 90/STR 16AWG BLACK TPE VFD

PRODUCT CUSTOMER DRAWING

DOCUMENT NUMBER: SD-130062-044
 DOC TYPE: PSD
 DOC PART: 001
 REVISION: A2

MATERIAL NUMBER: SEE P/N LEGEND
 CUSTOMER: GENERAL MARKET
 SHEET NUMBER: 1 OF 1

X-ON Electronics

Largest Supplier of Electrical and Electronic Components

Click to view similar products for [Sensor Cables / Actuator Cables](#) category:

Click to view products by [Molex](#) manufacturer:

Other Similar products are found below :

[60963](#) [60964](#) [703000D02F2002](#) [703001D02F0602](#) [703001D02F300](#) [704000D02F120](#) [773032K02F030](#) [802027107404-1](#) [802027213811-1](#)
[804001A09M150](#) [805001A09M0502](#) [84914-0235](#) [84914-0237](#) [885030A09M020](#) [8R4J30E03C3003](#) [1200651332](#) [1200651713](#) [1200660844](#)
[1200660845](#) [1200661173](#) [1200680071](#) [1200720053](#) [1200720081](#) [1200720099](#) [1200720217](#) [1200800231](#) [1200860125](#) [1200870123](#)
[1200980102](#) [1200650267](#) [1200650298](#) [1200660183](#) [1200660782](#) [1200660849](#) [1200661295](#) [1200661297](#) [1200661342](#) [1200661343](#)
[1200670080](#) [1200670220](#) [1200680331](#) [1200720252](#) [1200730184](#) [1200860344](#) [1200870359](#) [1200870643](#) [1200980008](#) [1200980031](#)
[1210502211](#) [1210400542](#)