

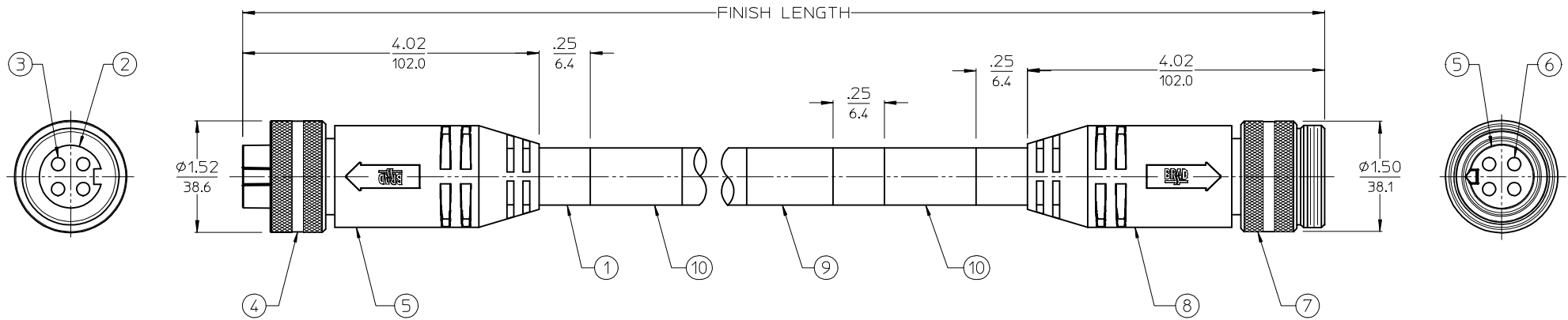
### PART NUMBER LEGEND

CC4030A70M010G

CABLE TYPE  
10/4 PVC GRAY ST00W

OVERMOLD COLOR:  
BLANK = GRAY  
G = BLACK

FINISHED LENGTH:  
M005= 0.5 METER  
M010= 1 METER  
M100= 10 METER

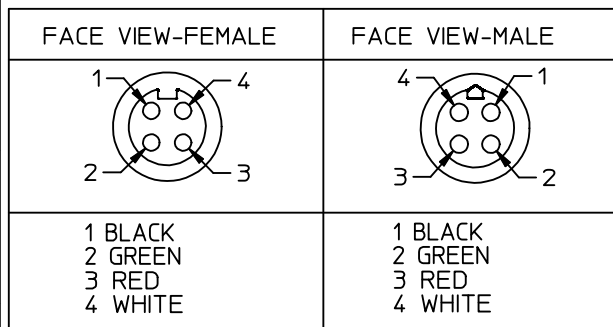


#### NOTES:

1. MATERIAL: SEE TABLE
2. FINISHES: SEE TABLE
3. ELECTRICAL SPECIFICATIONS  
VOLTAGE RATING: 600V  
CURRENT RATING: 25 AMPS
4. PROTECTION: IP67 (WHEN MATED)
5. TEMP RANGE: -20°C TO +105°C
6. COUPLING THREAD: 1 3/8-16
7. DIMS SHOWN ARE FOR REFERENCE ONLY UNLESS OTHERWISE NOTED

10	WARNING LABEL	VINYL	BLACK/ORANGE
9	PRODUCT LABEL	VINYL	BLACK/YELLOW
8	OVERMOLDS	PVC	SEE P/N LEGEND
7	MALE COUPLING	ALUMINUM	CLEAR ANNOXIDIZED
6	CONTACT PIN	Cu ALLOY	GOLD PLATED
5	MALE INSERT, 4P	PVC	BLACK
4	FEMALE COUPLING	ALUMINUM	CLEAR ANNOXIDIZED
3	CONTACT SOCKET	Cu ALLOY	GOLD PLATED
2	FEMALE INSERT, 4C	PVC	BLACK
1	CABLE, #10/4 ST00W, HI-FLEX	PVC JACKET	GRAY/BLACK STRIPE
ITEM	DESCRIPTION	MATERIAL	FINISH

RELEASED EC NO: JGZ2017-0648 DRAWN BY: DRWINRSTONE 2017/01/04 CHKD BY: M ZIELINSKI 2017/01/20 APPR: BWOODMAN 2017/01/18	QUALITY SYMBOLS ▽=0 ▽=0	GENERAL TOLERANCES (UNLESS SPECIFIED)	DIMENSION STYLE		SCALE	DESIGN UNITS	THIRD ANGLE PROJECTION
			IN/MM	1:1	INCH		
A	DESCRIPTION	DRAFT WHERE APPLICABLE MUST REMAIN WITHIN DIMENSIONS	DRAWN BY DATE		TITLE		
			RSTONE 2017/01/04	QUICK CHANGE ASSEMBLY MALE/FEMALE ST/ST 10 AWG, HI-FLEX			
A	REV	SIZE	CHECKED BY DATE		DOCUMENT NO.		
			M ZIELINSKI 2017/01/20	SD-130064-021			
APPROVED BY DATE			MATERIAL NO.		SHEET NO.		
BWOODMAN 2017/01/18			-		1 OF 1		
THIS DRAWING CONTAINS INFORMATION THAT IS PROPRIETARY TO MOLEX INCORPORATED AND SHOULD NOT BE USED WITHOUT WRITTEN PERMISSION							



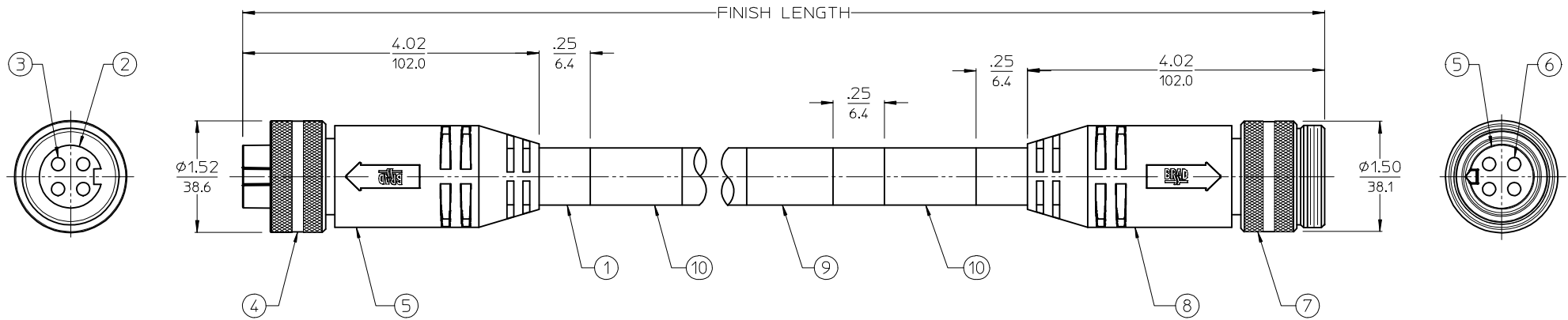
### PART NUMBER LEGEND

CC4030A70M010G

CABLE TYPE  
10/4 PVC GRAY ST00W

OVERMOLD COLOR:  
BLANK = GRAY  
G = BLACK

FINISHED LENGTH:  
M005= 0.5 METER  
M010= 1 METER  
M100= 10 METER



#### NOTES:

1. MATERIAL: SEE TABLE
2. FINISHES: SEE TABLE
3. ELECTRICAL SPECIFICATIONS  
VOLTAGE RATING: 600V  
CURRENT RATING: 25 AMPS
4. PROTECTION: IP67 (WHEN MATED)
5. TEMP RANGE: -20°C TO +105°C
6. COUPLING THREAD: 1 3/8-16
7. DIMS SHOWN ARE FOR REFERENCE ONLY UNLESS OTHERWISE NOTED

10	WARNING LABEL	VINYL	BLACK/ORANGE
9	PRODUCT LABEL	VINYL	BLACK/YELLOW
8	OVERMOLDS	PVC	SEE P/N LEGEND
7	MALE COUPLING	ALUMINUM	CLEAR ANNOXIDIZED
6	CONTACT PIN	Cu ALLOY	GOLD PLATED
5	MALE INSERT, 4P	PVC	BLACK
4	FEMALE COUPLING	ALUMINUM	CLEAR ANNOXIDIZED
3	CONTACT SOCKET	Cu ALLOY	GOLD PLATED
2	FEMALE INSERT, 4C	PVC	BLACK
1	CABLE, #10/4 ST00W, HI-FLEX	PVC JACKET	GRAY/BLACK STRIPE
ITEM	DESCRIPTION	MATERIAL	FINISH

RELEASED EC NO: JGZ2017-0648 DRAWN BY: DRWINRSTONE 2017/01/04 CHKD BY: M ZIELINSKI 2017/01/20 APPR: BWOODMAN 2017/01/18	QUALITY SYMBOLS ▽=0 ▽=0	GENERAL TOLERANCES (UNLESS SPECIFIED)	DIMENSION STYLE		SCALE	DESIGN UNITS	THIRD ANGLE PROJECTION
			IN/MM	1:1	INCH		
A	DESCRIPTION	DRAFT WHERE APPLICABLE MUST REMAIN WITHIN DIMENSIONS	4 PLACES ± --- ± ---	DRAWN BY: RSTONE	DATE: 2017/01/04	TITLE QUICK CHANGE ASSEMBLY MALE/FEMALE ST/ST 10 AWG, HI-FLEX	
			3 PLACES ± --- ± ---	CHECKED BY: M ZIELINSKI	DATE: 2017/01/20		
			2 PLACES ± --- ± ---	APPROVED BY: BWOODMAN	DATE: 2017/01/18	DOCUMENT NO. SD-130064-021	
			1 PLACE ± --- ± ---	MATERIAL NO.			
			0 PLACE ± --- ± ---	THIS DRAWING CONTAINS INFORMATION THAT IS PROPRIETARY TO MOLEX INCORPORATED AND SHOULD NOT BE USED WITHOUT WRITTEN PERMISSION			

## X-ON Electronics

Largest Supplier of Electrical and Electronic Components

*Click to view similar products for [Sensor Cables / Actuator Cables](#) category:*

*Click to view products by [Molex](#) manufacturer:*

Other Similar products are found below :

[60963](#) [60964](#) [M83513/19-F01CP](#) [703000D02F2002](#) [703001D02F0602](#) [703001D02F300](#) [704000D02F120](#) [773032K02F030](#) [802027107404-1](#)  
[802027213811-1](#) [804001A09M150](#) [805001A09M0502](#) [84914-0235](#) [84914-0237](#) [885030A09M020](#) [8R4J30E03C3003](#) [1200651332](#)  
[1200651713](#) [1200660844](#) [1200660845](#) [1200661173](#) [1200680071](#) [1200720053](#) [1200720081](#) [1200720099](#) [1200720217](#) [1200800231](#)  
[1200860125](#) [1200870123](#) [1200980102](#) [1200650267](#) [1200650298](#) [1200660183](#) [1200660782](#) [1200660849](#) [1200661295](#) [1200661297](#)  
[1200661342](#) [1200661343](#) [1200670080](#) [1200670220](#) [1200680331](#) [1200720252](#) [1200730184](#) [1200860344](#) [1200870359](#) [1200870643](#)  
[1200980008](#) [1200980031](#) [1210502211](#)