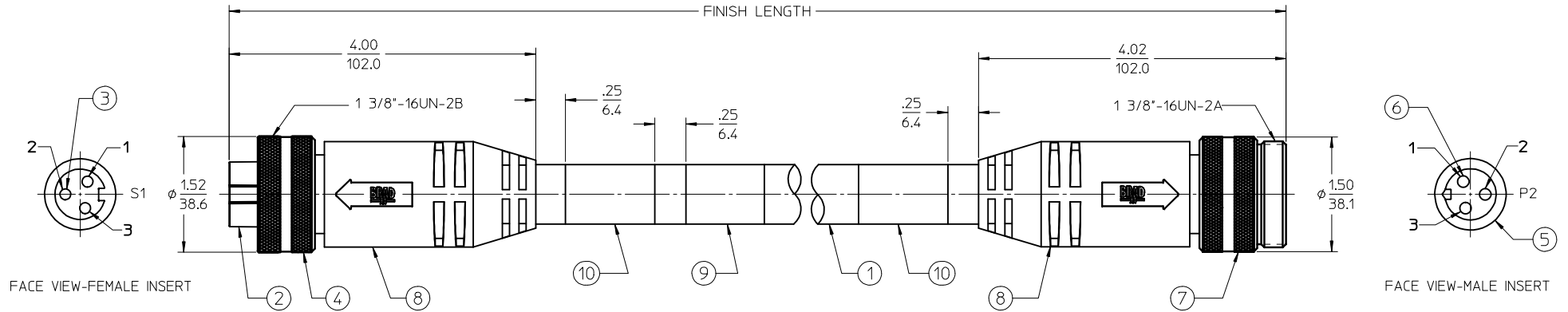


MATERIAL NO.	ENGINEERING NO.	LENGTH
1300640447	CC3030K19M010E	1M
1300640448	CC3030K19M030E	3M
1300640449	CC3030K19M040E	4M

(B1) CABLE LENGTH TOLERANCES
 >.3M [1FT]: +19mm-0 [+75in-0]
 .3 - .9M [1 - 3FT]: +44.5mm-0 [+1.75in-0]
 .9 - 1.8M [3 - 6FT]: +55.6mm-0 [+2.19in-0]
 1.8 - 3.7M [6 - 12FT]: +88.9mm-0 [+3.50in-0]
 3.7 - 7.3M [12 - 24FT]: +165.1mm-0 [+6.50in-0]
 7.3-14.6M [24 - 48FT]: +317.5mm-0 [+12.50in-0]
 14.6 - 30.5M [48-100FT]: +622.3mm-0 [+24.50in-0]
 OVER 30M [100FT] +2% OF FINISHED LENGTH



- (B1) NOTES:**
1. MATERIAL: AS NOTED
 2. FINISHES: AS NOTED
 3. ELECTRICAL SPECIFICATIONS
 VOLTAGE RATING: 630V PER IEC60664
 600V PER UL2237
 CURRENT RATING: 32 AMPS
 4. PROTECTION: IP67 (WHEN MATED)
 5. TEMP RANGE: -20°C TO +90°C
 6. AGENCY LISTING: E258922
 7. DIMS SHOWN ARE FOR REFERENCE UNLESS NOTED OTHERWISE

CC3030K19M010E

cable type
TPE Cable
10/3C AWG
BLACK

cable length
001 = .1 Meter
010 = 1 Meter
020 = 2 Meter



WIRING DIAGRAM

ITEM	DESCRIPTION	MATERIAL	FINISH
10	WARNING LABEL	VINYL	ORANGE/BLACK
9	WRAP LABEL	VINYL	BLACK/YELLOW
8	OVERMOLDS	PVC	RED
7	COUPLING, MALE THREAD	ALUMINUM	CLEAR ANODIZE
6	CONTACT PIN	Cu ALLOY	GOLD PLATED
5	INSERT, MALE	PVC	BLACK
4	COUPLING, FEMALE THREAD	ALUMINUM	CLEAR ANODIZE
3	CONTACT SOCKET	Cu ALLOY	GOLD PLATED
2	INSERT, FEMALE	PVC	BLACK
1	CABLE, 10/3 TC-ER	TPE JACKET	BLACK
ITEM	DESCRIPTION	MATERIAL	FINISH

UPDATE NOTES: ADD P/N & LENGTH TO TABLE EC NO: IPG2017-0977 DRWINSTONE 2017/04/14 CHKDM Z TEL INSK1 2017/04/28 APPR: BWOODMAN 2017/05/14	QUALITY SYMBOLS ▽=0 ▽=0	GENERAL TOLERANCES (UNLESS SPECIFIED) <table border="1"> <thead> <tr> <th></th> <th>mm</th> <th>INCH</th> </tr> </thead> <tbody> <tr> <td>4 PLACES</td> <td>± .---</td> <td>± .---</td> </tr> <tr> <td>3 PLACES</td> <td>± .---</td> <td>± .---</td> </tr> <tr> <td>2 PLACES</td> <td>± .---</td> <td>± .---</td> </tr> <tr> <td>1 PLACE</td> <td>± .---</td> <td>± .---</td> </tr> </tbody> </table>		mm	INCH	4 PLACES	± .---	± .---	3 PLACES	± .---	± .---	2 PLACES	± .---	± .---	1 PLACE	± .---	± .---	DIMENSION STYLE IN/MM DRAWN BY DATE B.RUPERT 01/12/10 CHECKED BY DATE TWOLDEGE 2014/08/29 APPROVED BY DATE BWOODMAN 2014/09/04 MATERIAL NO.	SCALE 1:2 DESIGN UNITS INCH THIRD ANGLE PROJECTION	TITLE QUICK CHANGE ASSEMBLY 3 POLE FEMALE/MALE ST/ST 10/3C AWG BLACK MOLEX INCORPORATED DOCUMENT NO. SD-130064-005 SHEET NO. 1 OF 1
		mm	INCH																	
	4 PLACES	± .---	± .---																	
	3 PLACES	± .---	± .---																	
2 PLACES	± .---	± .---																		
1 PLACE	± .---	± .---																		
DRAFT WHERE APPLICABLE MUST REMAIN WITHIN DIMENSIONS		SIZE C	THIS DRAWING CONTAINS INFORMATION THAT IS PROPRIETARY TO MOLEX INCORPORATED AND SHOULD NOT BE USED WITHOUT WRITTEN PERMISSION																	

X-ON Electronics

Largest Supplier of Electrical and Electronic Components

Click to view similar products for [Sensor Cables / Actuator Cables](#) category:

Click to view products by [Molex](#) manufacturer:

Other Similar products are found below :

[1300070444](#) [43-10984](#) [M83513/19-F01CP](#) [704000D02F120](#) [MDM15SH001K](#) [MDM25PH003BF222](#) [802027107404-1](#) [885030A09M010](#)
[885030A09M020](#) [1200650174](#) [1200651332](#) [1200651713](#) [1200660171](#) [1200660208](#) [1200660343](#) [1200660804](#) [1200660845](#) [1200660926](#)
[1200660977](#) [1200661173](#) [1200661354](#) [120066-1712](#) [1200720053](#) [1200720099](#) [1200720153](#) [1200720172](#) [1200720217](#) [1200720226](#)
[1200720251](#) [1200720285](#) [1200720296](#) [1200720404](#) [1200730148](#) [1200730378](#) [1200800231](#) [1200860112](#) [1200860121](#) [1200860125](#)
[1200860337](#) [1200860365](#) [1200860420](#) [1200870046](#) [1200870248](#) [1200980102](#) [1200660181](#) [1200660183](#) [1200660827](#) [1200660849](#)
[1200661170](#) [1200661295](#)