

| SAP P/N # | ENGINEERING P/N | FINISHED LENGTH |
|------------|-----------------|-----------------|
| 1300640468 | CC4032K24M100 | 10.0M (32.8') |
| 1300640469 | CC4032K24M150 | 15.0M (49.2') |
| 1300642052 | CC4032K24M030 | 3.0M (9.8') |

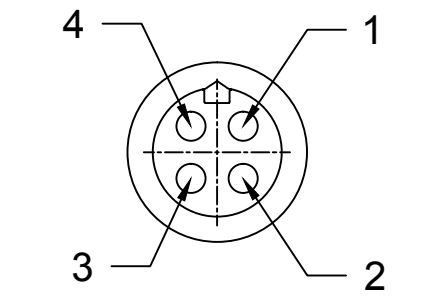
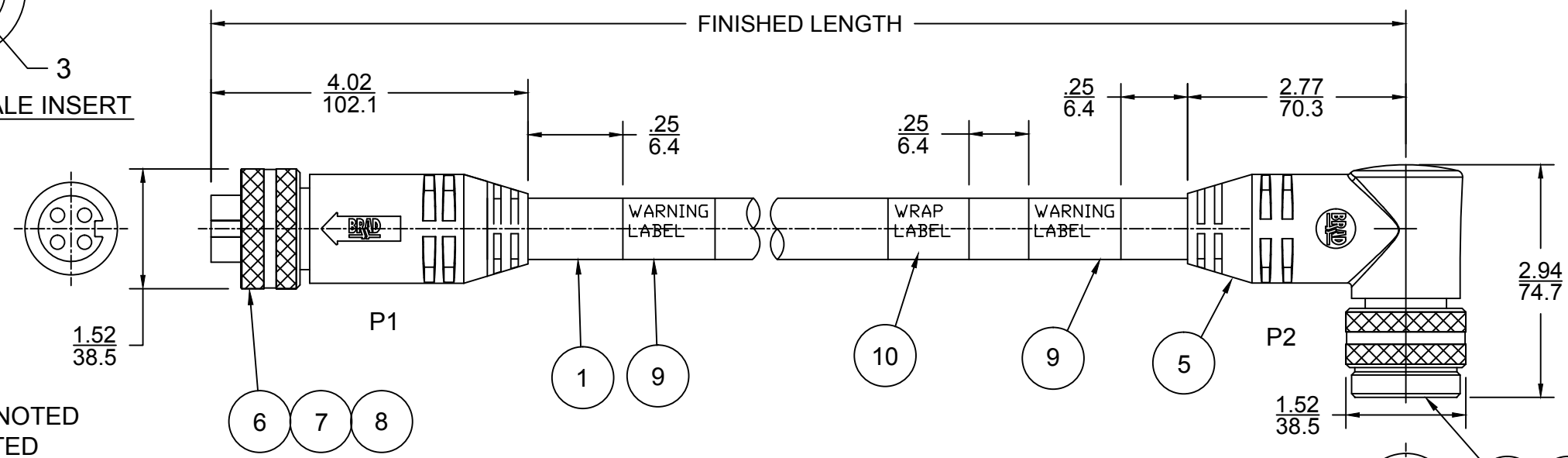
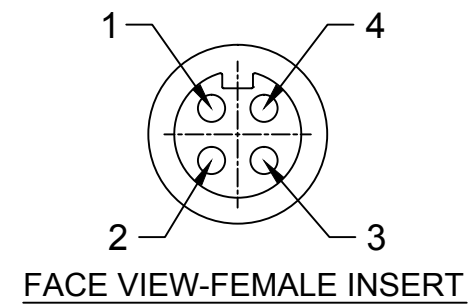
PART NUMBER MATRIX

CC4032K24M010

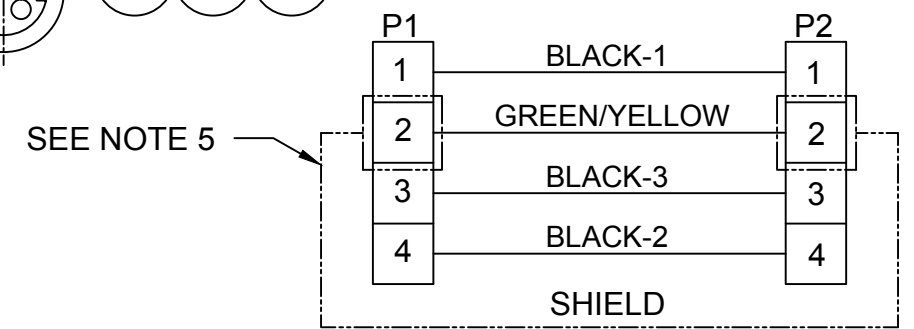
LENGTH
M005 = .5 METER
M010 = 1 METER
M100 = 10 METER

CABLE LENGTH TOLERANCES

>.3M [1FT]: +19mm-0 [+0.75in-0]
.3 - .9M [1 - 3FT]: +44.5mm-0 [+1.75in-0]
.9 - 1.8M [3 - 6FT]: +55.6mm-0 [+2.19in-0]
1.8 - 3.7M [6 - 12FT]: +88.9mm-0 [+3.50in-0]
3.7 - 7.3M [12 - 24FT]: +165.1mm-0 [+6.50in-0]
7.3-14.6M [24 - 48FT]: +317.5mm-0 [+12.50in-0]
14.6 - 30.5M [48-100FT]: +622.3mm-0 [+24.50in-0]
OVER 30M [100FT] +2% OF FINISHED LENGTH



- NOTES:**
- MATERIAL: AS NOTED
 - FINISH: AS NOTED
 - ELECTRICAL:
VOLTAGE: 500V PER IEC60664
600V PER UL2238
CURRENT: 32A
 - TEMP RATING: -25° TO +90°C
 - PROTECTION: IP67 (WHEN MATED)
 - COUPLING THREAD: 7/8-16UN
 - UL2237 STATUS: PENDING
 - ALL DIMS ARE FOR REFERENCE UNLESS NOTED OTHERWISE



| ITEM | QTY | DESCRIPTION | MATERIAL | FINISH |
|------|-----|--------------------------------|----------------|---------------------|
| 10 | 1 | WRAP LABEL | VINYL | YELLOW |
| 9 | 2 | WARNING LABEL | VINYL | BLACK/ORANGE/YELLOW |
| 8 | 1 | FEMALE COUPLING NUT | ALUMINUM ALLOY | CLEAR ANODIZED |
| 7 | 4 | SOCKET CONTACT | COPPER ALLOY | GOLD PLATED |
| 6 | 1 | 4P FEMALE INSERT | PVC | BLACK |
| 5 | A/R | OVERMOLD COMPOUND | PVC | GRAY |
| 4 | 1 | MALE COUPLING NUT | ALUMINUM ALLOY | CLEAR ANODIZED |
| 3 | 1 | 4P MALE INSERT | PVC | BLACK |
| 2 | 4 | 90D PIN CONTACT | COPPER ALLOY | GOLD PLATED |
| 1 | - | #10-4 AWG VFD FLEX-RATED CABLE | TPE JACKET | BLACK |

| | | | | | | | | | |
|---|--------------------------|-------------------------------|--|---------------|--------------------------|--------------------|---|----------------------|------------------------|
| CHANGE TO SD EC NO: IPG2018-0452 DRWN: MZIELINS 2018/04/04 CHKD: RSTONE 2018/04/05 APPR: BWOODMAN2016/01/07 | DESCRIPTION REV C1 | QUALITY SYMBOLS ▽=0 ∇=0 | GENERAL TOLERANCES (UNLESS SPECIFIED) | | DIMENSION STYLE IN/MM | | SCALE NTS | DESIGN UNITS INCH | THIRD ANGLE PROJECTION |
| | | | 4 PLACES ±--- ±--- | mm INCH | DRAWN BY MZIELINS | DATE 2015/12/09 | TITLE QC M/FE 90D/STR 4P #10-4 AWG VFD FLX-RATED TPE BLK CABLE | | |
| | | | 3 PLACES ±--- ±.005 | | CHECKED BY BARDEN | DATE 2015/01/06 | MOLEX INCORPORATED | | |
| | | | 2 PLACES ±0.13 ±.010 | | APPROVED BY BWOODMAN | DATE 2016/01/07 | DOCUMENT NO. SD-130064-023 | SHEET NO. 1 OF 1 | |
| | | | 1 PLACE ±0.25 ±.020 | ANGULAR ±---° | SEE CHART | | THIS DRAWING CONTAINS INFORMATION THAT IS PROPRIETARY TO MOLEX INCORPORATED AND SHOULD NOT BE USED WITHOUT WRITTEN PERMISSION | | |
| | | | DRAFT WHERE APPLICABLE MUST REMAIN WITHIN DIMENSIONS | | | | | | |

X-ON Electronics

Largest Supplier of Electrical and Electronic Components

Click to view similar products for [Sensor Cables / Actuator Cables](#) category:

Click to view products by [Molex](#) manufacturer:

Other Similar products are found below :

[60963](#) [60964](#) [M83513/19-F01CP](#) [703000D02F2002](#) [703001D02F0602](#) [703001D02F300](#) [704000D02F120](#) [773032K02F030](#) [802027107404-1](#)
[802027213811-1](#) [804001A09M150](#) [805001A09M0502](#) [84914-0235](#) [84914-0237](#) [885030A09M020](#) [8R4J30E03C3003](#) [1200651332](#)
[1200651713](#) [1200660844](#) [1200660845](#) [1200661173](#) [1200680071](#) [1200720053](#) [1200720081](#) [1200720099](#) [1200720217](#) [1200800231](#)
[1200860125](#) [1200870123](#) [1200980102](#) [1200650267](#) [1200650298](#) [1200660183](#) [1200660782](#) [1200660849](#) [1200661295](#) [1200661297](#)
[1200661342](#) [1200661343](#) [1200670080](#) [1200670220](#) [1200680331](#) [1200720252](#) [1200730184](#) [1200860344](#) [1200870359](#) [1200870643](#)
[1200980008](#) [1200980031](#) [1210502211](#)