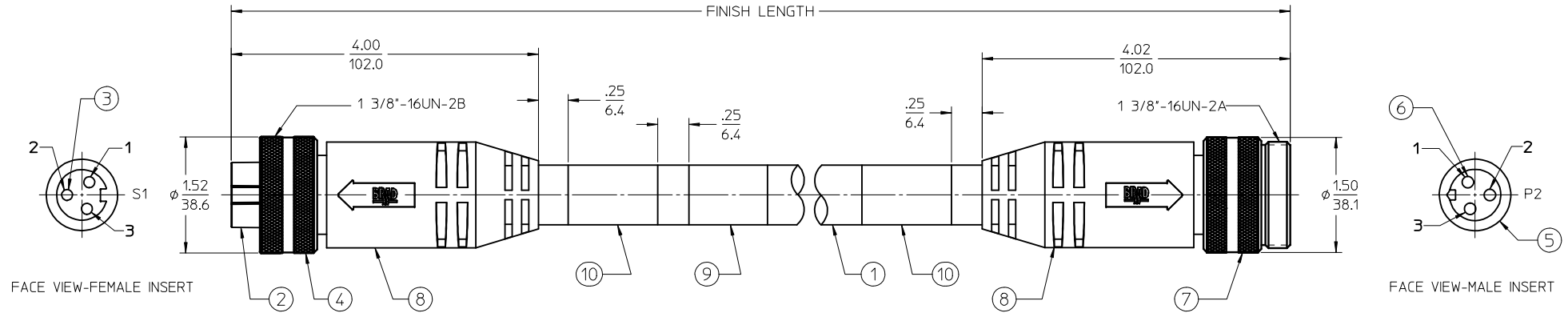


MATERIAL NO.	ENGINEERING NO.	LENGTH
1300640447	CC3030K19M010E	1M
1300640448	CC3030K19M030E	3M
1300640449	CC3030K19M040E	4M

**(B1) CABLE LENGTH TOLERANCES**  
 >.3M [1FT]: +19mm-0 [+75in-0]  
 .3 - .9M [1 - 3FT]: +44.5mm-0 [+1.75in-0]  
 .9 - 1.8M [3 - 6FT]: +55.6mm-0 [+2.19in-0]  
 1.8 - 3.7M [6 - 12FT]: +88.9mm-0 [+3.50in-0]  
 3.7 - 7.3M [12 - 24FT]: +165.1mm-0 [+6.50in-0]  
 7.3-14.6M [24 - 48FT]: +317.5mm-0 [+12.50in-0]  
 14.6 - 30.5M [48-100FT]: +622.3mm-0 [+24.50in-0]  
 OVER 30M [100FT] +2% OF FINISHED LENGTH



- (B1) NOTES:**
1. MATERIAL: AS NOTED
  2. FINISHES: AS NOTED
  3. ELECTRICAL SPECIFICATIONS  
 VOLTAGE RATING: 630V PER IEC60664  
 600V PER UL2237  
 CURRENT RATING: 32 AMPS
  4. PROTECTION: IP67 (WHEN MATED)
  5. TEMP RANGE: -20°C TO +90°C
  6. AGENCY LISTING: E258922
  7. DIMS SHOWN ARE FOR REFERENCE UNLESS NOTED OTHERWISE

CC3030K19M010E

cable type  
TPE Cable  
10/3C AWG  
BLACK

cable length  
001 = .1 Meter  
010 = 1 Meter  
020 = 2 Meter



WIRING DIAGRAM

10	WARNING LABEL	VINYL	ORANGE/BLACK
9	WRAP LABEL	VINYL	BLACK/YELLOW
8	OVERMOLDS	PVC	RED
7	COUPLING, MALE THREAD	ALUMINUM	CLEAR ANODIZE
6	CONTACT PIN	Cu ALLOY	GOLD PLATED
5	INSERT, MALE	PVC	BLACK
4	COUPLING, FEMALE THREAD	ALUMINUM	CLEAR ANODIZE
3	CONTACT SOCKET	Cu ALLOY	GOLD PLATED
2	INSERT, FEMALE	PVC	BLACK
1	CABLE, 10/3 TC-ER	TPE JACKET	BLACK
ITEM	DESCRIPTION	MATERIAL	FINISH

UPDATE NOTES: ADD P/N & LENGTH TO TABLE EC NO: IPG2017-0977 DRWRNSTONE 2017/04/14 CHKDM Z TEL INSK1 2017/04/28 APPR: BWOODMAN 2017/05/14	QUALITY SYMBOLS ▽=0 ▽=0	GENERAL TOLERANCES (UNLESS SPECIFIED) <table border="1"> <thead> <tr> <th></th> <th>mm</th> <th>INCH</th> </tr> </thead> <tbody> <tr> <td>4 PLACES</td> <td>± .---</td> <td>± .---</td> </tr> <tr> <td>3 PLACES</td> <td>± .---</td> <td>± .---</td> </tr> <tr> <td>2 PLACES</td> <td>± .---</td> <td>± .---</td> </tr> <tr> <td>1 PLACE</td> <td>± .---</td> <td>± .---</td> </tr> </tbody> </table> ANGULAR ± ---°		mm	INCH	4 PLACES	± .---	± .---	3 PLACES	± .---	± .---	2 PLACES	± .---	± .---	1 PLACE	± .---	± .---	DIMENSION STYLE IN/MM DRAWN BY DATE B.RUPERT 01/12/10 CHECKED BY DATE TWOLDEGE 2014/08/29 APPROVED BY DATE BWOODMAN 2014/09/04 MATERIAL NO.	SCALE 1:2 DESIGN UNITS INCH THIRD ANGLE PROJECTION	TITLE QUICK CHANGE ASSEMBLY 3 POLE FEMALE/MALE ST/ST 10/3C AWG BLACK MOLEX MOLEX INCORPORATED DOCUMENT NO. SD-130064-005 SHEET NO. 1 OF 1
		mm	INCH																	
4 PLACES	± .---	± .---																		
3 PLACES	± .---	± .---																		
2 PLACES	± .---	± .---																		
1 PLACE	± .---	± .---																		
DRAFT WHERE APPLICABLE MUST REMAIN WITHIN DIMENSIONS		THIS DRAWING CONTAINS INFORMATION THAT IS PROPRIETARY TO MOLEX INCORPORATED AND SHOULD NOT BE USED WITHOUT WRITTEN PERMISSION																		

## X-ON Electronics

Largest Supplier of Electrical and Electronic Components

*Click to view similar products for [Sensor Cables / Actuator Cables](#) category:*

*Click to view products by [Molex](#) manufacturer:*

Other Similar products are found below :

[60963](#) [60964](#) [703000D02F2002](#) [703001D02F0602](#) [703001D02F300](#) [704000D02F120](#) [773032K02F030](#) [802027107404-1](#) [802027213811-1](#)  
[804001A09M150](#) [805001A09M0502](#) [84914-0235](#) [84914-0237](#) [885030A09M020](#) [8R4J30E03C3003](#) [1200651332](#) [1200651713](#) [1200660844](#)  
[1200660845](#) [1200661173](#) [1200680071](#) [1200720053](#) [1200720081](#) [1200720099](#) [1200720217](#) [1200800231](#) [1200860125](#) [1200870123](#)  
[1200980102](#) [1200650267](#) [1200650298](#) [1200660183](#) [1200660782](#) [1200660849](#) [1200661295](#) [1200661297](#) [1200661342](#) [1200661343](#)  
[1200670080](#) [1200670220](#) [1200680331](#) [1200720252](#) [1200730184](#) [1200860344](#) [1200870359](#) [1200870643](#) [1200980008](#) [1200980031](#)  
[1210502211](#) [1210400542](#)