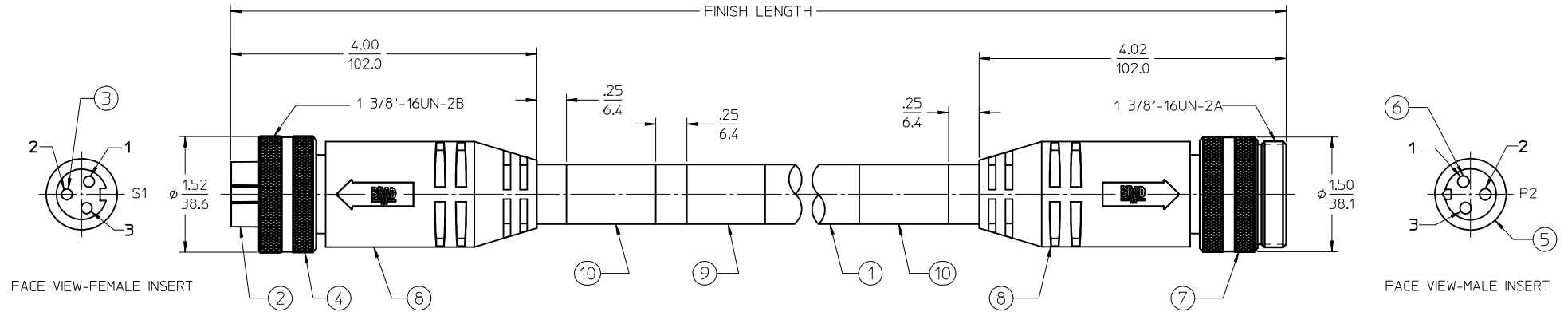


| MATERIAL NO. | ENGINEERING NO. | LENGTH |
|--------------|-----------------|--------|
| 1300640447 | CC3030K19M010E | 1M |
| 1300640448 | CC3030K19M030E | 3M |
| 1300640449 | CC3030K19M040E | 4M |

(B1) CABLE LENGTH TOLERANCES
 >.3M [1FT]: +19mm-0 [+75in-0]
 .3 - .9M [1 - 3FT]: +44.5mm-0 [+1.75in-0]
 .9 - 1.8M [3 - 6FT]: +55.6mm-0 [+2.19in-0]
 1.8 - 3.7M [6 - 12FT]: +88.9mm-0 [+3.50in-0]
 3.7 - 7.3M [12 - 24FT]: +165.1mm-0 [+6.50in-0]
 7.3-14.6M [24 - 48FT]: +317.5mm-0 [+12.50in-0]
 14.6 - 30.5M [48-100FT]: +622.3mm-0 [+24.50in-0]
 OVER 30M [100FT] +2% OF FINISHED LENGTH



- (B1) NOTES:**
1. MATERIAL: AS NOTED
 2. FINISHES: AS NOTED
 3. ELECTRICAL SPECIFICATIONS
 VOLTAGE RATING: 630V PER IEC60664
 600V PER UL2237
 CURRENT RATING: 32 AMPS
 4. PROTECTION: IP67 (WHEN MATED)
 5. TEMP RANGE: -20°C TO +90°C
 6. AGENCY LISTING: E258922
 7. DIMS SHOWN ARE FOR REFERENCE UNLESS NOTED OTHERWISE

CC3030K19M010E

cable type
TPE Cable
10/3C AWG
BLACK

cable length
001 = .1 Meter
010 = 1 Meter
020 = 2 Meter



WIRING DIAGRAM

| ITEM | DESCRIPTION | MATERIAL | FINISH |
|------|-------------------------|------------|---------------|
| 10 | WARNING LABEL | VINYL | ORANGE/BLACK |
| 9 | WRAP LABEL | VINYL | BLACK/YELLOW |
| 8 | OVERMOLDS | PVC | RED |
| 7 | COUPLING, MALE THREAD | ALUMINUM | CLEAR ANODIZE |
| 6 | CONTACT PIN | Cu ALLOY | GOLD PLATED |
| 5 | INSERT, MALE | PVC | BLACK |
| 4 | COUPLING, FEMALE THREAD | ALUMINUM | CLEAR ANODIZE |
| 3 | CONTACT SOCKET | Cu ALLOY | GOLD PLATED |
| 2 | INSERT, FEMALE | PVC | BLACK |
| 1 | CABLE, 10/3 TC-ER | TPE JACKET | BLACK |
| ITEM | DESCRIPTION | MATERIAL | FINISH |

| UPDATE NOTES: ADD P/N & LENGTH TO TABLE EC NO: IPG2017-0977 DRWINSTONE 2017/04/14 CHKDM Z TEL INSK1 2017/04/28 APPR: BWOODMAN 2017/05/24 | QUALITY SYMBOLS ▽=0 ▽=0 | GENERAL TOLERANCES (UNLESS SPECIFIED) <table border="1"> <thead> <tr> <th></th> <th>mm</th> <th>INCH</th> </tr> </thead> <tbody> <tr> <td>4 PLACES</td> <td>± .---</td> <td>± .---</td> </tr> <tr> <td>3 PLACES</td> <td>± .---</td> <td>± .---</td> </tr> <tr> <td>2 PLACES</td> <td>± .---</td> <td>± .---</td> </tr> <tr> <td>1 PLACE</td> <td>± .---</td> <td>± .---</td> </tr> </tbody> </table> | | mm | INCH | 4 PLACES | ± .--- | ± .--- | 3 PLACES | ± .--- | ± .--- | 2 PLACES | ± .--- | ± .--- | 1 PLACE | ± .--- | ± .--- | DIMENSION STYLE IN/MM | SCALE 1:2 | DESIGN UNITS INCH | THIRD ANGLE PROJECTION |
|--|-------------------------------|--|-------------------------|--------------------|---|---------------------|--------|--------|----------|--------|--------|----------|--------|--------|---------|--------|--------|--------------------------|--------------|----------------------|------------------------|
| | | mm | INCH | | | | | | | | | | | | | | | | | | |
| | 4 PLACES | ± .--- | ± .--- | | | | | | | | | | | | | | | | | | |
| | 3 PLACES | ± .--- | ± .--- | | | | | | | | | | | | | | | | | | |
| 2 PLACES | ± .--- | ± .--- | | | | | | | | | | | | | | | | | | | |
| 1 PLACE | ± .--- | ± .--- | | | | | | | | | | | | | | | | | | | |
| | | DRAFT WHERE APPLICABLE MUST REMAIN WITHIN DIMENSIONS | DRAWN BY B.RUPERT | DATE 01/12/10 | TITLE QUICK CHANGE ASSEMBLY 3 POLE FEMALE/MALE ST/ST 10/3C AWG BLACK | | | | | | | | | | | | | | | | |
| | | | CHECKED BY TWOLDEGE | DATE 2014/08/29 | MOLEX MOLEX INCORPORATED | | | | | | | | | | | | | | | | |
| | | | APPROVED BY BWOODMAN | DATE 2014/09/04 | DOCUMENT NO. SD-130064-005 | SHEET NO. 1 OF 1 | | | | | | | | | | | | | | | |

X-ON Electronics

Largest Supplier of Electrical and Electronic Components

Click to view similar products for [Sensor Cables / Actuator Cables](#) category:

Click to view products by [Molex](#) manufacturer:

Other Similar products are found below :

[60963](#) [60964](#) [703000D02F2002](#) [703001D02F0602](#) [703001D02F300](#) [704000D02F120](#) [773032K02F030](#) [802027107404-1](#) [802027213811-1](#)
[804001A09M150](#) [805001A09M0502](#) [84914-0235](#) [84914-0237](#) [885030A09M020](#) [8R4J30E03C3003](#) [1200651332](#) [1200651713](#) [1200660844](#)
[1200660845](#) [1200661173](#) [1200680071](#) [1200720053](#) [1200720081](#) [1200720099](#) [1200720217](#) [1200800231](#) [1200860125](#) [1200870123](#)
[1200980102](#) [1200650267](#) [1200650298](#) [1200660183](#) [1200660782](#) [1200660849](#) [1200661295](#) [1200661297](#) [1200661342](#) [1200661343](#)
[1200670080](#) [1200670220](#) [1200680331](#) [1200720252](#) [1200730184](#) [1200860344](#) [1200870359](#) [1200870643](#) [1200980008](#) [1200980031](#)
[1210502211](#) [1210400542](#)