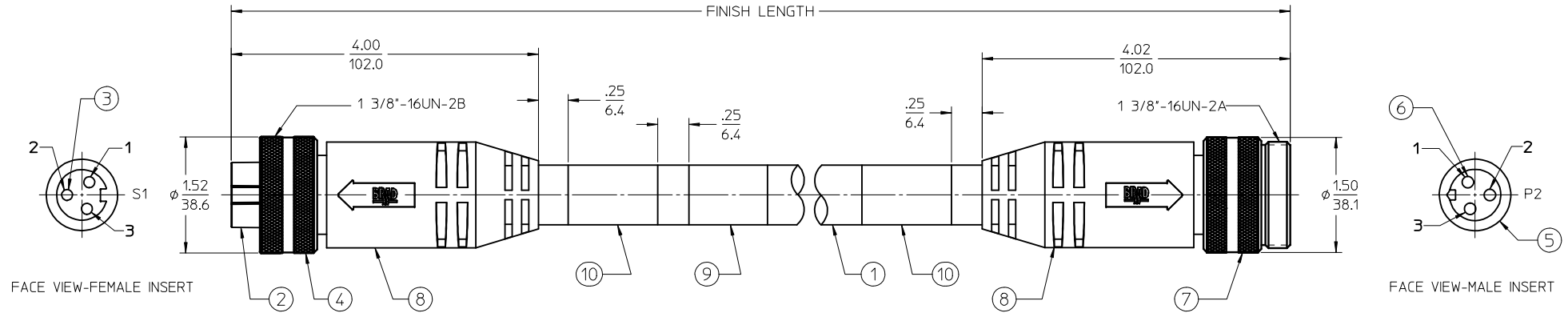


MATERIAL NO.	ENGINEERING NO.	LENGTH
1300640447	CC3030K19M010E	1M
1300640448	CC3030K19M030E	3M
1300640449	CC3030K19M040E	4M

(B1) CABLE LENGTH TOLERANCES
 >.3M [1FT]: +19mm-0 [+75in-0]
 .3 - .9M [1 - 3FT]: +44.5mm-0 [+1.75in-0]
 .9 - 1.8M [3 - 6FT]: +55.6mm-0 [+2.19in-0]
 1.8 - 3.7M [6 - 12FT]: +88.9mm-0 [+3.50in-0]
 3.7 - 7.3M [12 - 24FT]: +165.1mm-0 [+6.50in-0]
 7.3-14.6M [24 - 48FT]: +317.5mm-0 [+12.50in-0]
 14.6 - 30.5M [48-100FT]: +622.3mm-0 [+24.50in-0]
 OVER 30M [100FT] +2% OF FINISHED LENGTH



- (B1) NOTES:**
1. MATERIAL: AS NOTED
 2. FINISHES: AS NOTED
 3. ELECTRICAL SPECIFICATIONS
 VOLTAGE RATING: 630V PER IEC60664
 600V PER UL2237
 CURRENT RATING: 32 AMPS
 4. PROTECTION: IP67 (WHEN MATED)
 5. TEMP RANGE: -20°C TO +90°C
 6. AGENCY LISTING: E258922
 7. DIMS SHOWN ARE FOR REFERENCE UNLESS NOTED OTHERWISE

CC3030K19M010E

cable type
TPE Cable
10/3C AWG
BLACK

cable length
001 = .1 Meter
010 = 1 Meter
020 = 2 Meter



WIRING DIAGRAM

10	WARNING LABEL	VINYL	ORANGE/BLACK
9	WRAP LABEL	VINYL	BLACK/YELLOW
8	OVERMOLDS	PVC	RED
7	COUPLING, MALE THREAD	ALUMINUM	CLEAR ANODIZE
6	CONTACT PIN	Cu ALLOY	GOLD PLATED
5	INSERT, MALE	PVC	BLACK
4	COUPLING, FEMALE THREAD	ALUMINUM	CLEAR ANODIZE
3	CONTACT SOCKET	Cu ALLOY	GOLD PLATED
2	INSERT, FEMALE	PVC	BLACK
1	CABLE, 10/3 TC-ER	TPE JACKET	BLACK
ITEM	DESCRIPTION	MATERIAL	FINISH

UPDATE NOTES: ADD P/N & LENGTH TOLS TABLE EC NO: IPG2017-0977 DRWRNSTONE 2017/04/14 CHKDM Z TEL INSK1 2017/04/28 APPR: BWOODMAN 2017/05/14	QUALITY SYMBOLS ▽=0 ▽=0	GENERAL TOLERANCES (UNLESS SPECIFIED)		DIMENSION STYLE IN/MM		SCALE 1:2	DESIGN UNITS INCH	THIRD ANGLE PROJECTION	
		4 PLACES ± --- INCH 3 PLACES ± --- INCH 2 PLACES ± --- INCH 1 PLACE ± --- INCH	mm INCH	DRAWN BY B.RUPERT	DATE 01/12/10	TITLE QUICK CHANGE ASSEMBLY 3 POLE FEMALE/MALE ST/ST 10/3C AWG BLACK		MOLEX INCORPORATED	
DRAFT WHERE APPLICABLE MUST REMAIN WITHIN DIMENSIONS	APPROVED BY BWOODMAN	DATE 2014/08/29	DATE 2014/09/04	MATERIAL NO.		DOCUMENT NO. SD-130064-005		THIS DRAWING CONTAINS INFORMATION THAT IS PROPRIETARY TO MOLEX INCORPORATED AND SHOULD NOT BE USED WITHOUT WRITTEN PERMISSION	

X-ON Electronics

Largest Supplier of Electrical and Electronic Components

Click to view similar products for [Sensor Cables / Actuator Cables](#) category:

Click to view products by [Molex](#) manufacturer:

Other Similar products are found below :

[60963](#) [60964](#) [M83513/19-F01CP](#) [703000D02F2002](#) [703001D02F0602](#) [703001D02F300](#) [704000D02F120](#) [773032K02F030](#) [802027107404-1](#)
[802027213811-1](#) [804001A09M150](#) [805001A09M0502](#) [84914-0235](#) [84914-0237](#) [885030A09M020](#) [8R4J30E03C3003](#) [1200651332](#)
[1200651713](#) [1200660844](#) [1200660845](#) [1200661173](#) [1200680071](#) [1200720053](#) [1200720081](#) [1200720099](#) [1200720217](#) [1200800231](#)
[1200860125](#) [1200870123](#) [1200980102](#) [1200650267](#) [1200650298](#) [1200660183](#) [1200660782](#) [1200660849](#) [1200661295](#) [1200661297](#)
[1200661342](#) [1200661343](#) [1200670080](#) [1200670220](#) [1200680331](#) [1200720252](#) [1200730184](#) [1200860344](#) [1200870359](#) [1200870643](#)
[1200980008](#) [1200980031](#) [1210502211](#)