

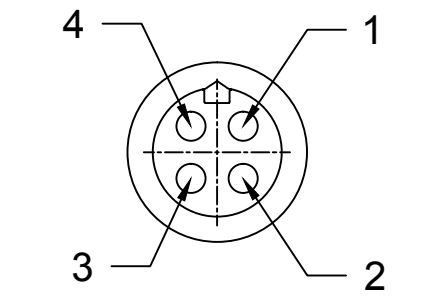
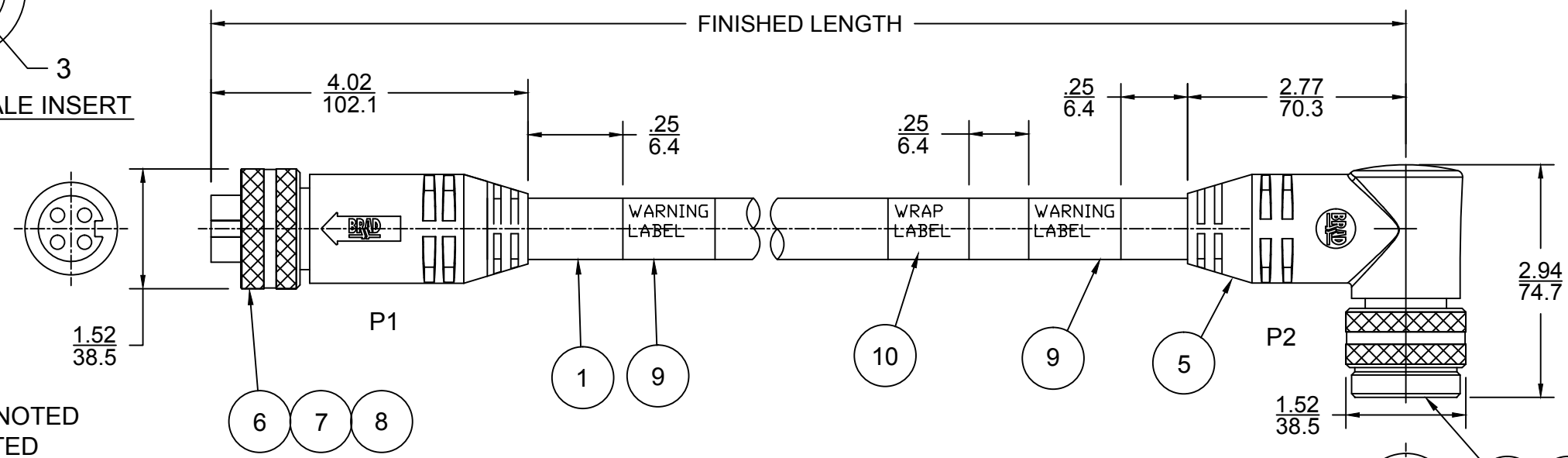
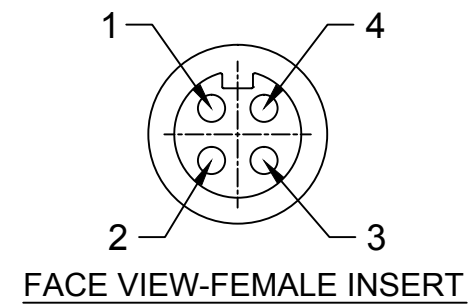
SAP P/N #	ENGINEERING P/N	FINISHED LENGTH
1300640468	CC4032K24M100	10.0M (32.8')
1300640469	CC4032K24M150	15.0M (49.2')
1300642052	CC4032K24M030	3.0M (9.8')

PART NUMBER MATRIX
CC4032K24M010

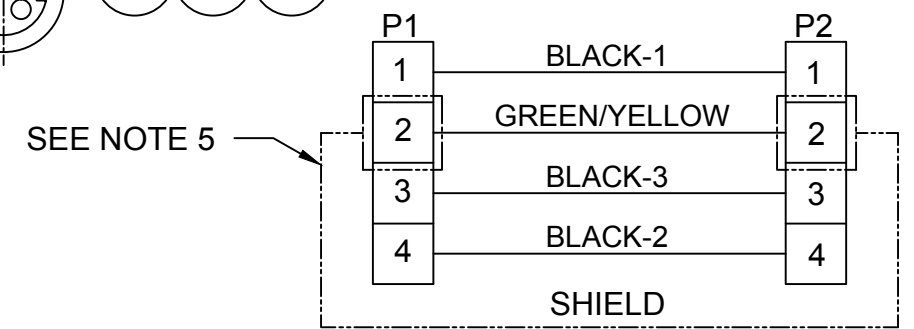
LENGTH
M005 = .5 METER
M010 = 1 METER
M100 = 10 METER

CABLE LENGTH TOLERANCES

>.3M [1FT]:	+19mm-0 [+0.75in-0]
.3 - .9M [1 - 3FT]:	+44.5mm-0 [+1.75in-0]
.9 - 1.8M [3 - 6FT]:	+55.6mm-0 [+2.19in-0]
1.8 - 3.7M [6 - 12FT]:	+88.9mm-0 [+3.50in-0]
3.7 - 7.3M [12 - 24FT]:	+165.1mm-0 [+6.50in-0]
7.3-14.6M [24 - 48FT]:	+317.5mm-0 [+12.50in-0]
14.6 - 30.5M [48-100FT]:	+622.3mm-0 [+24.50in-0]
OVER 30M [100FT]	+2% OF FINISHED LENGTH



- NOTES:**
1. MATERIAL: AS NOTED
 2. FINISH: AS NOTED
 3. ELECTRICAL:
VOLTAGE: 500V PER IEC60664
600V PER UL2238
CURRENT: 32A
 4. TEMP RATING: -25° TO +90°C
 5. PROTECTION: IP67 (WHEN MATED)
 6. COUPLING THREAD: 7/8-16UN
 7. UL2237 STATUS: PENDING
 7. ALL DIMS ARE FOR REFERENCE UNLESS NOTED OTHERWISE



ITEM	QTY	DESCRIPTION	MATERIAL	FINISH
10	1	WRAP LABEL	VINYL	YELLOW
9	2	WARNING LABEL	VINYL	BLACK/ORANGE/YELLOW
8	1	FEMALE COUPLING NUT	ALUMINUM ALLOY	CLEAR ANODIZED
7	4	SOCKET CONTACT	COPPER ALLOY	GOLD PLATED
6	1	4P FEMALE INSERT	PVC	BLACK
5	A/R	OVERMOLD COMPOUND	PVC	GRAY
4	1	MALE COUPLING NUT	ALUMINUM ALLOY	CLEAR ANODIZED
3	1	4P MALE INSERT	PVC	BLACK
2	4	90D PIN CONTACT	COPPER ALLOY	GOLD PLATED
1	-	#10-4 AWG VFD FLEX-RATED CABLE	TPE JACKET	BLACK

CHANGE TO SD EC NO: IPG2018-0452 DRWN: MZIELINS 2018/04/04 CHKD: RSTONE 2018/04/05 APPR: BWOODMAN2016/01/07	DESCRIPTION REV	QUALITY SYMBOLS ▽=0 ∇=0	GENERAL TOLERANCES (UNLESS SPECIFIED)		DIMENSION STYLE IN/MM		SCALE NTS	DESIGN UNITS INCH	THIRD ANGLE PROJECTION	
			4 PLACES ±--- ±---	mm INCH	DRAWN BY MZIELINS	DATE 2015/12/09	TITLE QC M/FE 90D/STR 4P #10-4 AWG VFD FLX-RATED TPE BLK CABLE			
			3 PLACES ±--- ±.005	2 PLACES ±0.13 ±.010	CHECKED BY BARDEN	DATE 2015/01/06				
			1 PLACE ±0.25 ±.020	ANGULAR ±---°	APPROVED BY BWOODMAN	DATE 2016/01/07	MATERIAL NO. SEE CHART	DOCUMENT NO. SD-130064-023	SHEET NO. 1 OF 1	
DRAFT WHERE APPLICABLE MUST REMAIN WITHIN DIMENSIONS			SIZE B		THIS DRAWING CONTAINS INFORMATION THAT IS PROPRIETARY TO MOLEX INCORPORATED AND SHOULD NOT BE USED WITHOUT WRITTEN PERMISSION					

X-ON Electronics

Largest Supplier of Electrical and Electronic Components

Click to view similar products for [Sensor Cables / Actuator Cables](#) category:

Click to view products by [Molex](#) manufacturer:

Other Similar products are found below :

[60963](#) [60964](#) [M83513/19-F01CP](#) [703000D02F2002](#) [703001D02F0602](#) [703001D02F300](#) [704000D02F120](#) [773032K02F030](#) [802027107404-1](#)
[802027213811-1](#) [804001A09M150](#) [805001A09M0502](#) [84914-0235](#) [84914-0237](#) [885030A09M020](#) [8R4J30E03C3003](#) [1200651332](#)
[1200651713](#) [1200660844](#) [1200660845](#) [1200661173](#) [1200680071](#) [1200720053](#) [1200720081](#) [1200720099](#) [1200720217](#) [1200800231](#)
[1200860125](#) [1200870123](#) [1200980102](#) [1200650267](#) [1200650298](#) [1200660183](#) [1200660782](#) [1200660849](#) [1200661295](#) [1200661297](#)
[1200661342](#) [1200661343](#) [1200670080](#) [1200670220](#) [1200680331](#) [1200720252](#) [1200730184](#) [1200860344](#) [1200870359](#) [1200870643](#)
[1200980008](#) [1200980031](#) [1210502211](#)