

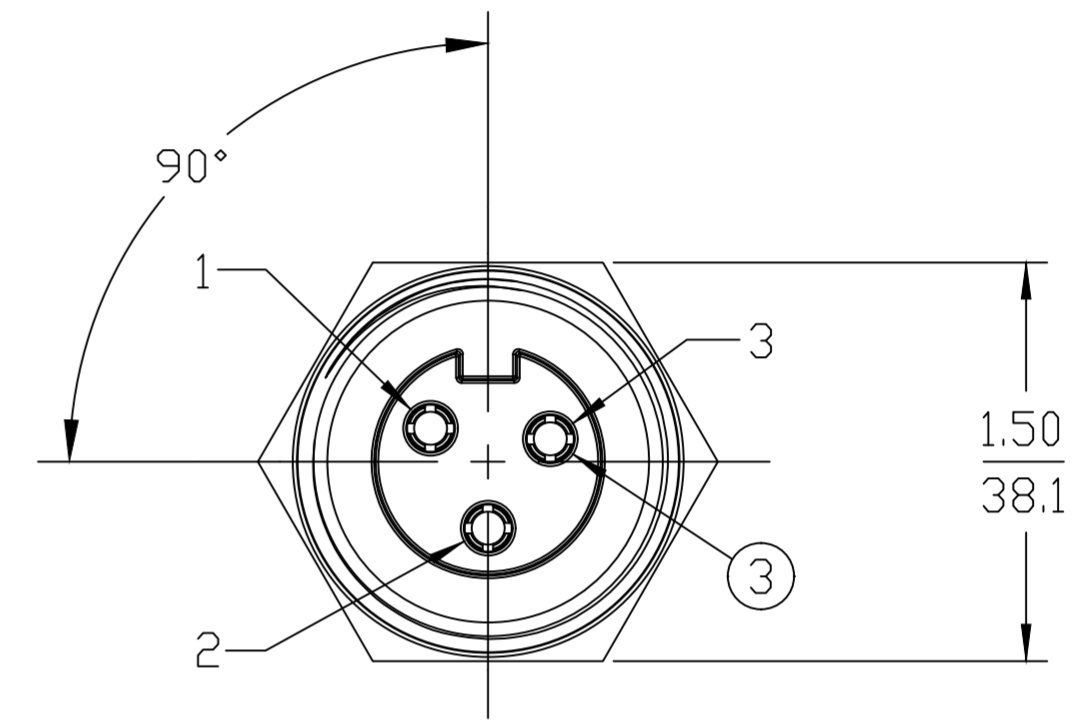
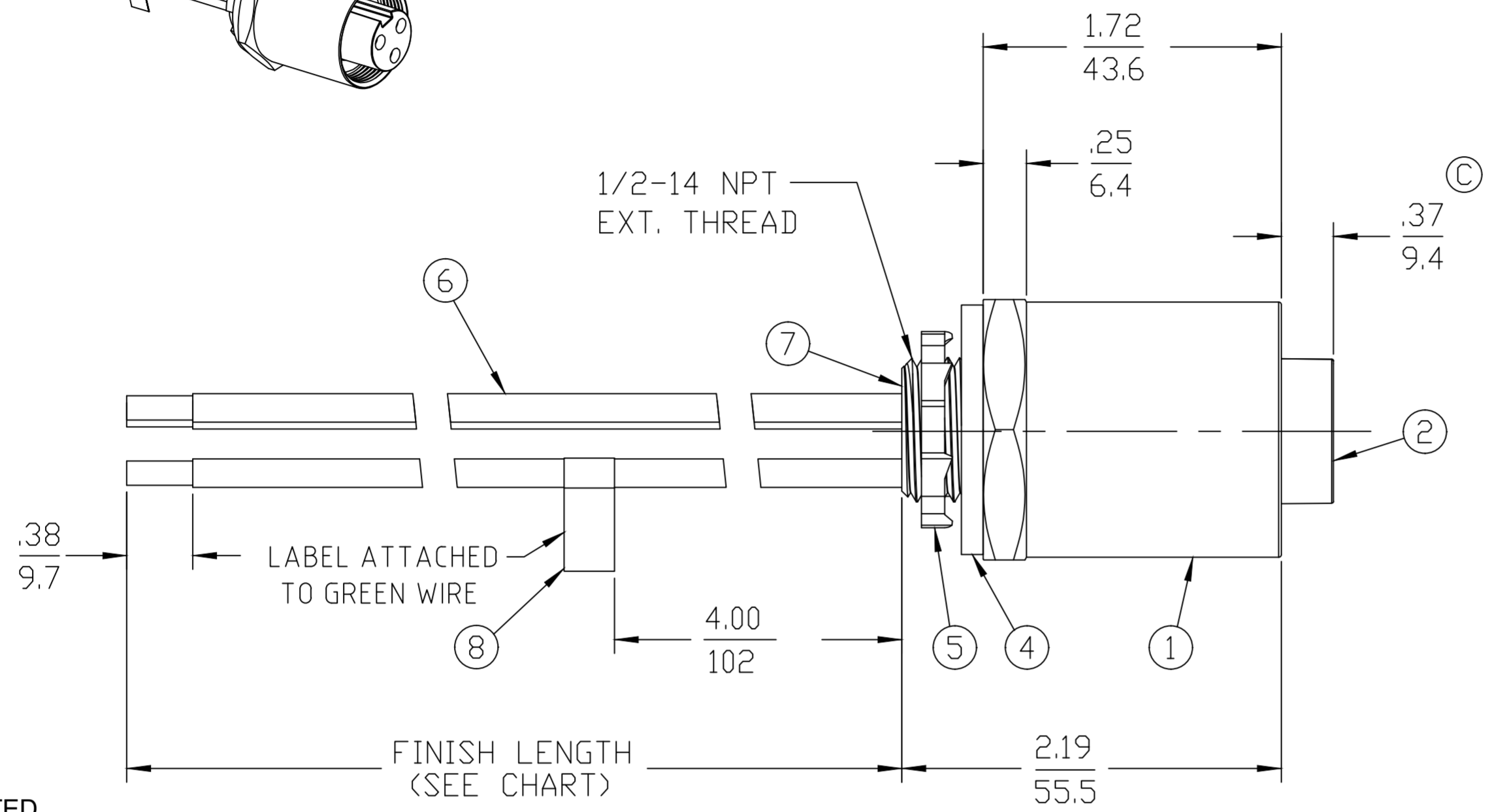
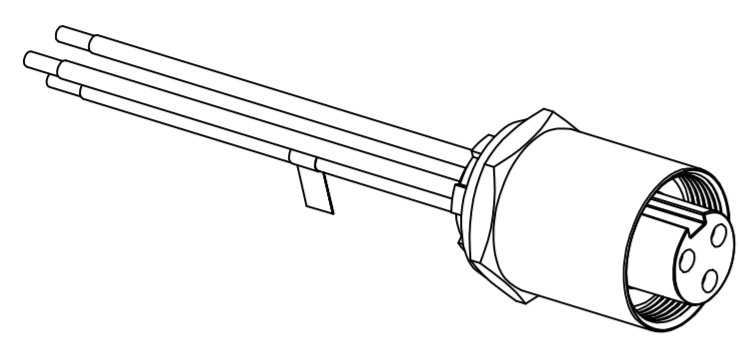
PART NUMBER	ENGINEERING NUMBER	FINISH LENGTH
1300660110	CR3000A30M005	1.64' [0.5M]
1300660111	CR3000A30M010	3.28' [1.0M]
1300660113	CR3000A30M020	6.56' [2.0M]

PART NUMBER LEGEND

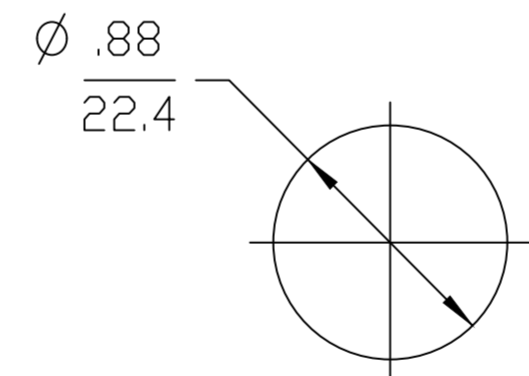
CR3000A30M005

LENGTH
M005 = 0.5 METER
M010 = 1 METER
M100 = 10 METER

CABLE LENGTH TOLERANCES	
>.3M [1FT]:	+19mm-0 [+ .75in-0]
.3 - .9M [1 - 3FT]:	+44.5mm-0 [+1.75in-0]
.9 - 1.8M [3 - 6FT]:	+55.6mm-0 [+2.19in-0]
1.8 - 3.7M [6 - 12FT]:	+88.9mm-0 [+3.50in-0]
3.7 - 7.3M [12 - 24FT]:	+165.1mm-0 [+6.50in-0]
7.3-14.6M [24 - 48FT]:	+317.5mm-0 [+12.50in-0]
14.6 - 30.5M [48-100FT]:	+622.3mm-0 [+24.50in-0]
OVER 30M [100FT]	+2% OF FINISHED LENGTH



- NOTES:**
- MATERIAL: AS NOTED
 - FINISH: AS NOTED
 - ELECTRICAL:
VOLTAGE: 3P: 630V PER IEC60664
600V PER UL2237
CURRENT: 32A
 - TEMP RATING: -20°TO +90°C
 - PROTECTION: IP67 (WHEN MATED)
 - COUPLING THREAD: 1 3/8-16UN
 - UL LISTED FILE: E258922
 - ALL DIMS ARE FOR REFERENCE UNLESS NOTED OR DIMENSIONED OTHERWISE



BLACK	1
GREEN/YELLOW	2
WHITE	3

WIRING DIAGRAM

ITEM	DESCRIPTION	MATERIAL	FINISH
8	FLAG LABEL	VINYL	YELLOW
7	POTTING	EPOXY	BLACK
6	#10-1 WIRE THHN	PVC JACKET	SEE WIRING DIAGRAM
5	LOCKNUT	STEEL	ZINC PLATED
4	GASKET	NEOPRENE	BLACK
3	SOCKET CONTACT	COPPER ALLOY	GOLD PLATED
2	FEMALE INSERT, 3 POLE	TPE (C)	BLACK
1	RECEPTACLE SHELL	ALUMINUM	CLEAR ANODIZED

REF. THIS DRAWING SUPERSEDES COCREATE REV. A

SYMBOLS A = 0 E = 0 F = 0 S = 0 V = 0 W = 0 X = 0 Y = 0 Z = 0	THIS DRAWING CONTAINS INFORMATION THAT IS PROPRIETARY TO MOLEX ELECTRONIC TECHNOLOGIES, LLC AND SHOULD NOT BE USED WITHOUT WRITTEN PERMISSION DIMENSION UNITS: INCH/MM SCALE: 1:1	CURRENT REV DESC: INSERT WAS PVC, CORRECTED .37 DIM, WAS .30, ADD GRN/YEL EC NO: 626034 DRWN: RSTONE 2019/10/18 CHK'D: MZIELINSKI 2020/01/10 APPR: BWOODMAN 2020/01/21			
	GENERAL TOLERANCES (UNLESS SPECIFIED) 4 PLACES ± .004 ± .004 3 PLACES ± .005 ± .005 2 PLACES ± .006 ± .006 1 PLACE ± .007 ± .007 0 PLACES ± .008 ± .008	INITIAL REVISION: DRWN: CLYORK 2010/01/18 APPR: DTITUS 2010/01/20	BRAD POWER RECEPTACLE ASSEMBLY FEMALE, 3 POLE, SINGLE KEY, 1/2 NPT, 10AWG		
DRAFT WHERE APPLICABLE MUST REMAIN WITHIN DIMENSIONS THIRD ANGLE PROJECTION	DRAWING: C-SIZE SERIES: 130066	PRODUCT CUSTOMER DRAWING DOCUMENT NUMBER: SD-130066-051 DOC TYPE: PSD DOC PART: 001 REVISION: C MATERIAL NUMBER: GENERAL MARKET CUSTOMER: SHEET NUMBER: 1 OF 1			

X-ON Electronics

Largest Supplier of Electrical and Electronic Components

Click to view similar products for [Specialised Cables](#) category:

Click to view products by [Molex](#) manufacturer:

Other Similar products are found below :

[603PT6](#) [603SS6L](#) [604PT6](#) [604SS6](#) [706000D02F200](#) [910640](#) [1200740077](#) [1200740114](#) [AC172](#) [ACL-SSI-4](#) [R88ACAKA0015SRE](#)
[R88ACAWL005SDE](#) [R88ACRGD0R3C](#) [1300150047](#) [1300660036](#) [1302262116](#) [1300150149](#) [1300220020](#) [1300220104](#) [1300220119](#)
[1301240492](#) [1301810221](#) [1365323-1](#) [176P12](#) [1971465-2](#) [20240400003](#) [20240400013](#) [2085828-1](#) [20886510030](#) [2-22733-8](#) [22733-8](#) [CB-](#)
[5PSBC-RS](#) [CB-704EC-RS](#) [CB-BATACC-RS](#) [CB-JST3PSW-RS](#) [CB-M12COM-R10](#) [25AC84](#) [25AK84X](#) [25AU25](#) [25FN82](#) [3011-03](#) [AC118](#)
[ACL-HHS-1M\(CAT5E\)](#) [SSL009PC2DC012N](#) [FC2A-KC6C](#) [2085828-2](#) [20886510150](#) [CCS-FCB-5](#) [CCSF CBF2](#) [R88A-CRWB020N](#)