

**PLEASE CHECK WWW.MOLEX.COM FOR LATEST PART INFORMATION**

**Part Number:** [1300660170](#)  
**Status:** **Active**  
**Overview:** BradPower Cordsets and Receptacles  
**Description:** BradPower D-Size (1 3/8"-M35) Brad Power Receptacle, 4 Poles, Male, 1/2" - 14 NPT, 10/1 AWG, 0.5m (19.7") Length

**Documents:**

[Drawing \(PDF\)](#) [RoHS Certificate of Compliance \(PDF\)](#)

**Agency Certification**

UL E258922

**General**

Product Family Industrial Receptacles  
 Series [130066](#)  
 IP Rating IP67  
 Overview [BradPower Cordsets and Receptacles](#)  
 Product Name BradPower D-Size  
 Type Single Ended (pigtail)  
 UPC 78678858949

**Physical**

Coupling Type External Thread  
 Gender Male  
 Keyway Single  
 Length 0.50m  
 Material - Component Clear Anodized Aluminum  
 Mounting Thread Size 1/2" - 14 NPT  
 Net Weight 255.000/g  
 Orientation Straight  
 Panel Mount Front  
 Poles 4  
 Temperature Range - Operating -20° to +90°C  
 Wire Size AWG 10  
 Wire/Cable Type UL 1015

**Electrical**

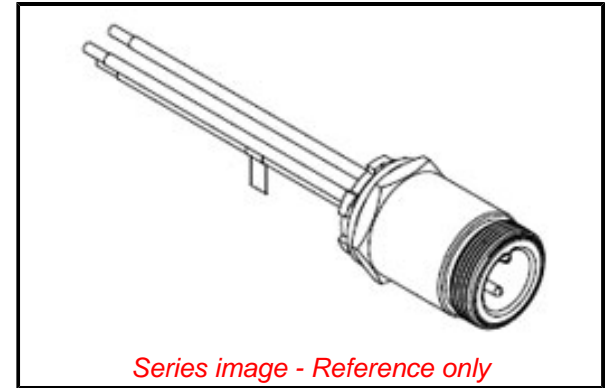
Current - Maximum per Contact 32.0A  
 Voltage - Maximum 600V

**Material Info**

Engineering Number CR4006A30M005

**Reference - Drawing Numbers**

Sales Drawing SD-130066-054-001



*Series image - Reference only*

**EU ELV**

**Not Relevant**

**EU RoHS**

**Compliant**

**REACH SVHC**

Not Reviewed

**Halogen-Free**

**Status**

**Not Reviewed**

For more information, please visit [Contact US](#)

China ROHS

ELV

RoHS Phthalates

**China RoHS**

Green Image

Not Relevant

Not Contained

**Search Parts in this Series**

[130066 Series](#)

**PLEASE CHECK WWW.MOLEX.COM FOR LATEST PART INFORMATION**

## X-ON Electronics

Largest Supplier of Electrical and Electronic Components

*Click to view similar products for [Standard Circular Connector](#) category:*

*Click to view products by [Molex](#) manufacturer:*

Other Similar products are found below :

[5M2530B10P](#) [600259N006](#) [600273N007](#) [6134-336-13149](#) [6134-337-11149](#) [6134-337-2390](#) [6134-341-17149](#) [6280-4SG-516](#) [6280-7SG-3DC](#)  
[6290](#) [6291A](#) [66200A-10](#) [680-SMG](#) [681-PMG](#) [CXS3102A14S2P](#) [CXS3102A181S](#) [7251-6SG-300](#) [7271-6SG-300](#) [7282-3PG-300-CH3](#) [75-](#)  
[474014-05S](#) [75-474618-01S](#) [75-474618-04P](#) [75-474618-04S](#) [799539-000](#) [MI8-SE](#) [805-005-07NF11-19PC](#) [805-005-07NF15-7PA](#) [8280-4PG-](#)  
[516](#) [8280-7PG-519](#) [8282-5PG-519](#) [836783-1](#) [MP-4102-25P-C](#) [862256-1](#) [864019-2](#) [866857-1](#) [867865-1](#) [PT01SP-14-18P](#) [PT08P-14-5S](#)  
[PTSF06SE-14-12S](#) [120-1833-000](#) [QCM019PC2DC012B](#) [1-2069279-1](#) [121583-0217](#) [121667-0020](#) [129591AU](#) [1000B BULK](#) [RD10A16-19-](#)  
[P6CS051/1](#) [RD10A20-31-P8CS051/1](#) [RD16A14-12-S6CS051/2](#) [1301240290](#) [1301240347](#)