

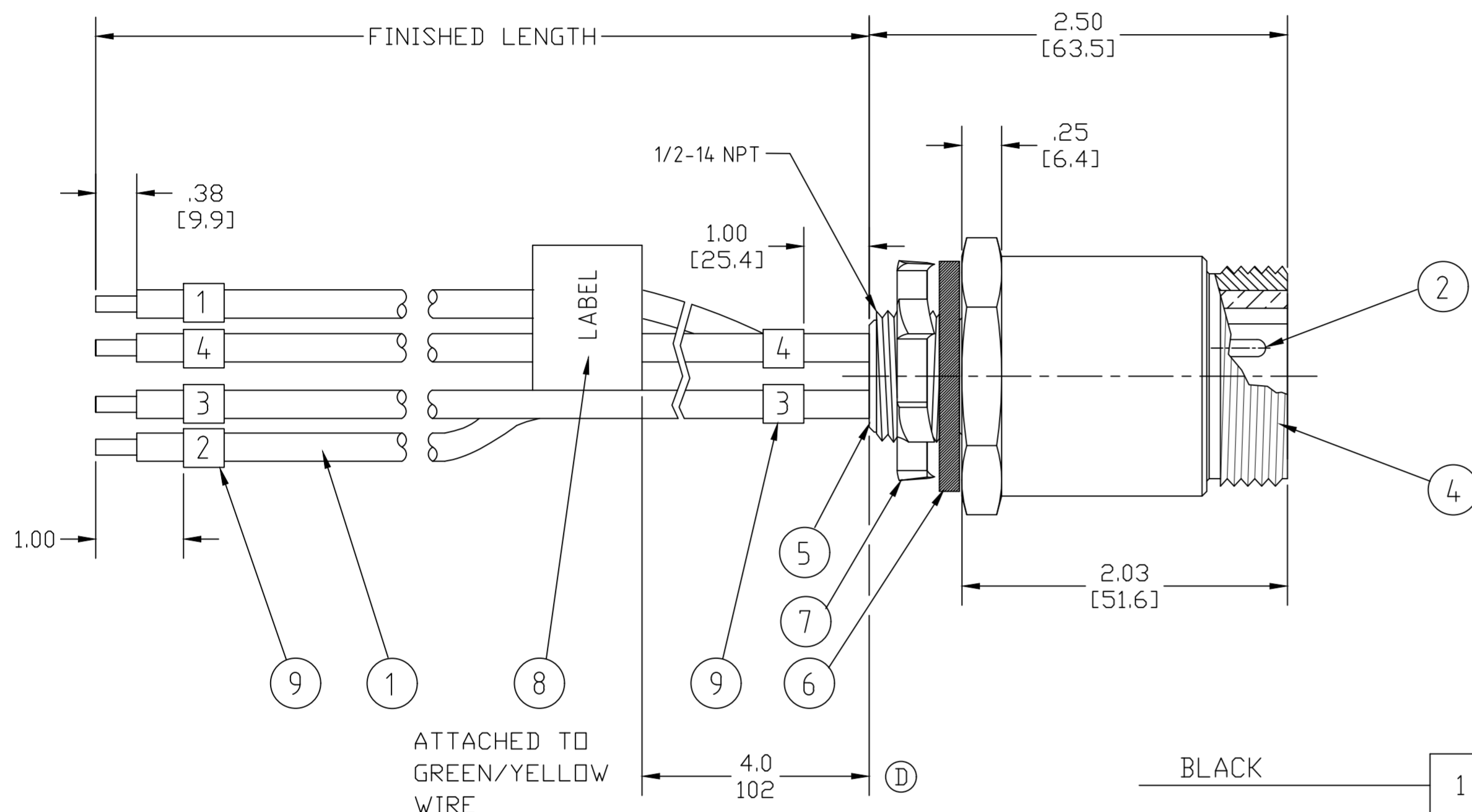
MATERIAL NUMBER	ENGINEERING NUMBER	FINISHED LENGTH
1300660232	CR4006A76M010	1M (3' 3")
1300660233	CR4006A76M020	2M (6' 7")
1300660234	CR4006A76M030	3m (9' 10")
1300660236	CR4006A76M005	0.5m (1' 8")

① PART NUMBER LEGEND
CR4006A76M010

LENGTH
M005 = 0.5 METER
M010 = 1 METER
M100 = 10 METER

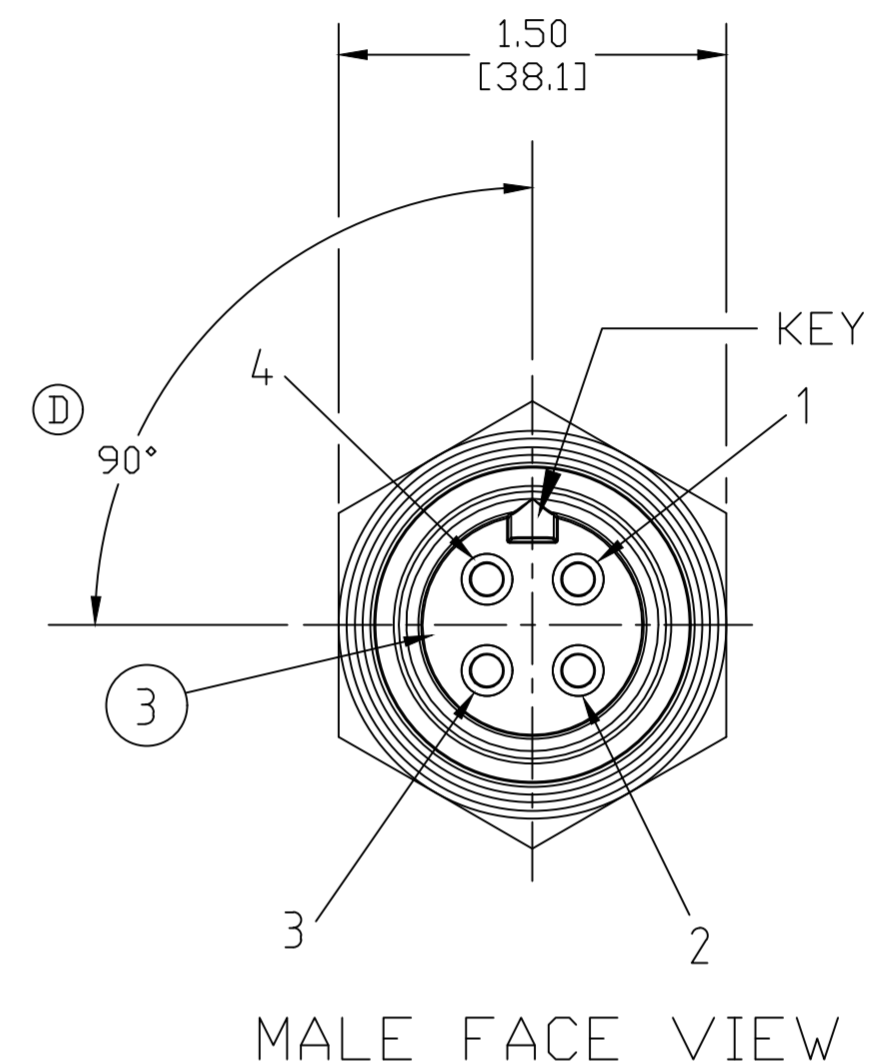
CABLE LENGTH TOLERANCES

<.3M [1FT]	+19mm-0 [+0.75in-0]
.3 - .9M [1 - 3FT]	+44.5mm-0 [+1.75in-0]
.9 - 1.8M [3 - 6FT]	+55.6mm-0 [+2.19in-0]
1.8 - 3.7M [6 - 12FT]	+88.9mm-0 [+3.50in-0]
3.7 - 7.3M [12 - 24FT]	+165.1mm-0 [+6.50in-0]
7.3-14.6M [24 - 48FT]	+317.5mm-0 [+12.50in-0]
14.6 - 30.5M [48-100FT]	+622.3mm-0 [+24.50in-0]
OVER 30M [100FT]	+2% OF FINISHED LENGTH



BLACK	1
GREEN-YELLOW	2
BLACK	3
BLACK	4

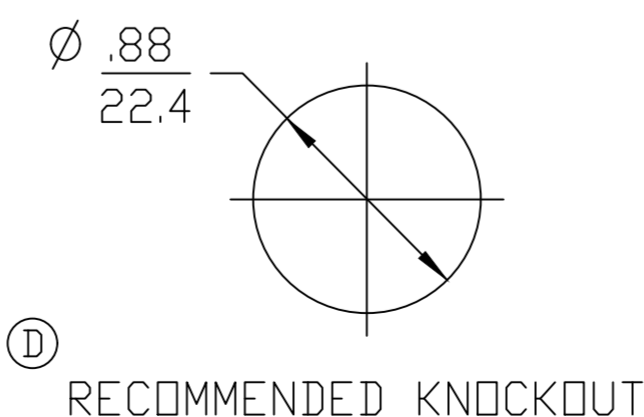
① WIRING DIAGRAM



NOTES:

1. MATERIAL: AS NOTED
2. FINISH: AS NOTED
3. ELECTRICAL:
VOLTAGE: 4P: 500V PER IEC60664
600V PER UL2237
CURRENT: 32A
4. TEMP RATING: -20°TO +90°C
5. PROTECTION: IP67 (WHEN MATED)
6. COUPLING THREAD: 1 3/8-16 UN
7. UL LISTED FILE: E258922
8. ALL DIMS ARE FOR REFERENCE UNLESS NOTED OR TOLERANCED OTHERWISE

9	WIRE IDENTIFIER LABEL	VINYL	BLACK ON WHITE
8	FLAG LABEL	VINYL	YELLOW
7	1/2-14 NPT LOCKNUT	STEEL	ZINC PLATE
6	GASKET	NEOPRENE	BLACK
5	POTTING	EPOXY	BLACK
4	RECEPTACLE SHELL	ALUMINUM	ANODIZED
3	MALE INSERT	TPE	BLACK
2	CONTACT PIN	COPPER ALLOY	GOLD PLATED
1	#10-1 WIRE UL1015	PVC JACKET	SEE FACE VIEW
ITEM	DESCRIPTION	MATERIAL	FINISH



FUNCTIONAL SYMBOLS				THIS DRAWING CONTAINS INFORMATION THAT IS PROPRIETARY TO MOLEX ELECTRONIC TECHNOLOGIES, LLC AND SHOULD NOT BE USED WITHOUT WRITTEN PERMISSION			
FA=0	FC=0	FP=0	DIVISIONAL SYMBOLS	DIMENSION UNITS	SCALE	CURRENT REV DESC: LABEL DIM WAS 7.00, ADD 90 DEG FOR KEY, WIRE DIAGRAM & KNOCKOUT HOLE, UPDATE BORDER ADD P/N LEGEND	
				INCH/MM	1:1		
				GENERAL TOLERANCES (UNLESS SPECIFIED)			
					mm	INCH	
				4 PLACES	±----	±----	EC NO: 646752
				3 PLACES	±----	±----	DRWN: RSTONE 2020/10/07
				2 PLACES	±----	±----	CHK'D: CCHRSTKA 2020/10/09
				1 PLACE	±----	±----	APPR: BWOODMAN 2020/10/12
				0 PLACES	±----	±----	INITIAL REVISION:
				ANGULAR TOL ±	----	°	DRWN: MODELL 2008/04/28
				DRAFT WHERE APPLICABLE MUST REMAIN WITHIN DIMENSIONS	THIRD ANGLE PROJECTION	DRAWING	SERIES
						C-SIZE	130066
						SEE P/N LEGEND	CUSTOMER
						GM	SHEET NUMBER
						1 OF 1	

molex

BRAD POWER RECEPTACLE
QC, MALE, 4 POLE, SINGLE KEY, 10AWG

PRODUCT CUSTOMER DRAWING

DOCUMENT NUMBER: SD-130066-006
DOC TYPE/DOC PART/REVISION: PSD 001 D

MATERIAL NUMBER: SEE P/N LEGEND
CUSTOMER: GM
SHEET NUMBER: 1 OF 1

X-ON Electronics

Largest Supplier of Electrical and Electronic Components

Click to view similar products for [Sensor Cables / Actuator Cables](#) category:

Click to view products by [Molex](#) manufacturer:

Other Similar products are found below :

[60963](#) [60964](#) [M83513/19-F01CP](#) [703000D02F2002](#) [703001D02F0602](#) [703001D02F300](#) [704000D02F120](#) [773032K02F030](#) [802027107404-1](#)
[802027213811-1](#) [804001A09M150](#) [805001A09M0502](#) [84914-0235](#) [84914-0237](#) [885030A09M020](#) [8R4J30E03C3003](#) [1200651332](#)
[1200651713](#) [1200660844](#) [1200660845](#) [1200661173](#) [1200680071](#) [1200720053](#) [1200720081](#) [1200720099](#) [1200720217](#) [1200800231](#)
[1200860125](#) [1200870123](#) [1200980102](#) [1200650267](#) [1200650298](#) [1200660183](#) [1200660782](#) [1200660849](#) [1200661295](#) [1200661297](#)
[1200661342](#) [1200661343](#) [1200670080](#) [1200670220](#) [1200680331](#) [1200720252](#) [1200730184](#) [1200860344](#) [1200870359](#) [1200870643](#)
[1200980008](#) [1200980031](#) [1210502211](#)