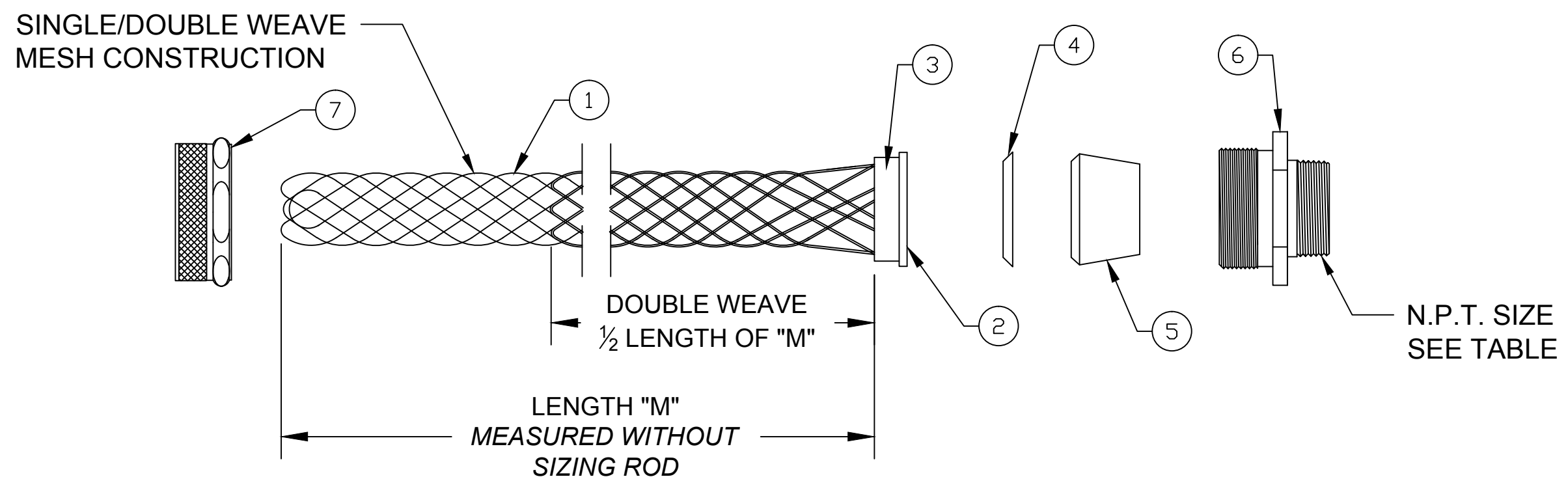
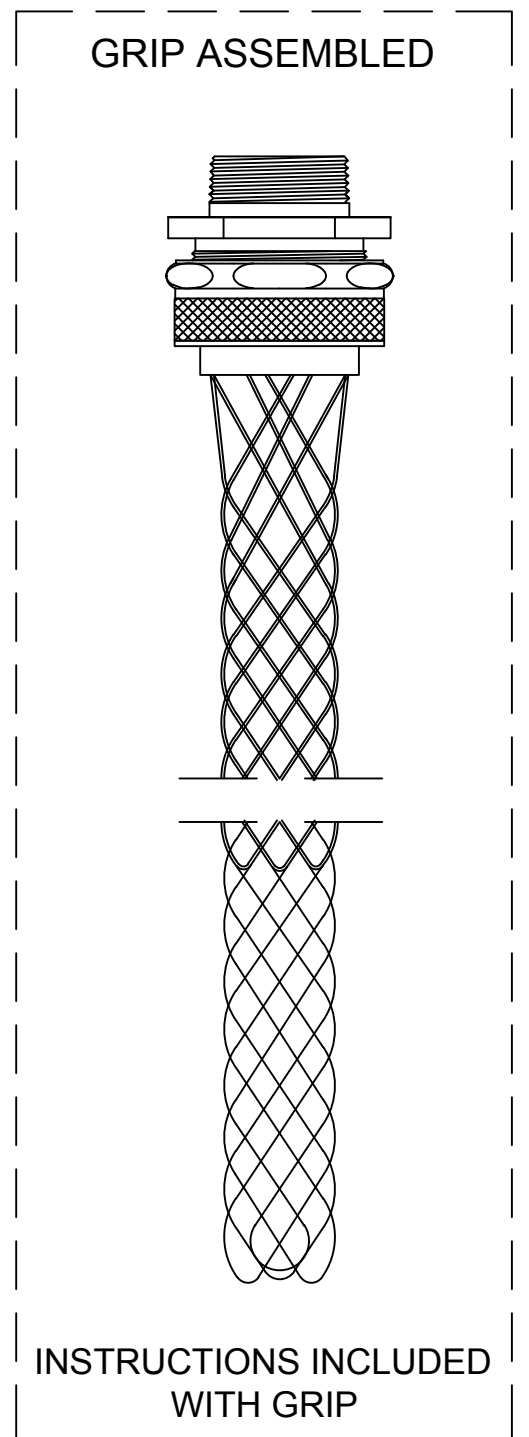


CATALOG NUMBER	MATERIAL NUMBER	CABLE RANGE	LENGTH "M"	N.P.T. FITTING SIZE	FORM SIZE	UL LISTED	CSA APPROVED	PRODUCT SELECTION NUMBER	
36490	1300970250	.187-.250 / 4.75-6.35	4.250±0.500 / 107.95±12.70	3/8	1	UL	CSA	PG304	
36430	1300970225	.250-.312 / 6.35-7.92	4.250±0.500 / 107.95±12.70					PG305	
36431	1300970226	.312-.375 / 7.92-9.53	4.250±0.500 / 107.95±12.70					PG306	
36432	1300970227	.375-.437 / 9.53-11.10	5.500±0.500 / 139.70±12.70					PG307	
36250	1300970160	.187-.250 / 4.75-6.35	4.250±0.500 / 107.95±12.70	1/2	2	UL	CSA	PG404	
36251	1300970161	.250-.375 / 6.35-9.53	4.250±0.500 / 107.95±12.70					PG406	
36254	1300970163	.375-.500 / 9.53-12.70	6.250±0.500 / 158.75±12.70					PG408	
36256	1300970165	.500-.625 / 12.70-15.88	6.500±0.500 / 165.10±12.70					PG410	
36245	1300970156	.625-.750 / 15.88-19.05	8.500±1.000 / 209.55±25.40	3	---	---	CSA	PG412	
36246	1300970157	.750-.875 / 19.05-22.23	9.250±1.000 / 234.95±25.40					PG414	
36247	-----	.187-.250 / 4.75-6.35	4.250±0.500 / 107.95±12.70	3/4	2	---	---	PG604	
36257	1300970166	.250-.375 / 6.35-9.53	4.250±0.500 / 107.95±12.70					PG606	
36259	1300970167	.375-.500 / 9.53-12.70	6.250±0.500 / 158.75±12.70		3	UL	---	CSA	PG608
36261	1300970168	.500-.625 / 12.70-15.88	6.250±0.500 / 158.75±12.70						PG610
36263	1300970170	.625-.750 / 15.88-19.05	8.500±1.000 / 209.55±25.40	4	---	---	CSA	PG612	
36248	1300970158	.750-.875 / 19.05-22.23	9.250±1.000 / 234.95±25.40					PG614	
36249	1300970159	.375-.500 / 9.53-12.70	5.750±0.500 / 146.05±12.70	1	4	UL	CSA	PG808	
36275	1300970179	.500-.625 / 12.70-15.88	6.500±0.500 / 165.10±12.70					PG810	
36265	1300970171	.625-.750 / 15.88-19.05	8.500±1.000 / 209.55±25.40					PG812	
36267	1300970172	.750-.875 / 19.05-22.23	9.250±1.000 / 234.95±25.40					PG814	
36269	1300970173	.875-1.000 / 22.23-25.40	8.125±1.000 / 206.38±25.40					PG816	
36270	1300970174	1.000-1.125 / 25.40-28.58	9.000±1.000 / 228.60±25.40					PG818	
36276	1300970180	1.125-1.250 / 28.58-31.75	10.000±1.000 / 254.00±25.40	5	---	---	CSA	PG820	



ITEM	DESCRIPTION	MATERIAL
1	WIRE MESH	STAINLESS STEEL
2	INNER RING	ALUMINUM
3	OUTER RING	ALUMINUM
4	FRICTION RING	ZINC PLATED STEEL
5	GROMMET	RUBBER
6	THREADED BODY	ALUMINUM
7	COMPRESSION NUT	ALUMINUM

RELEASE SALES DWG EC NO.: ICG2014-2037 DRWN: HRUIZ01 2014/10/20 CHKD: HKNEELAN 2014/10/20 APPR: JFMURPHY 2016/05/04	QUALITY SYMBOL	GENERAL TOLERANCES (UNLESS SPECIFIED)	DIMENSION STYLE INCH/MM	SCALE NTS	DESIGN UNITS INCH	THIRD ANGLE PROJECTION
	▽=0 ∇=0	4 PLACES ±--- ±---	mm INCH	HRUIZ01 2014/10/20	TITLE	STRAIN RELIEF DELUXE STRAIGHT MALE 3/8" TO 1" N.P.T.
		3 PLACES ±--- ±.005		CHECKED BY DATE		
		2 PLACES ±.13 ±.010	1 PLACE ±.25 ±.020	APPROVED BY DATE	JFMURPHY 2016/05/04	MOLEX INCORPORATED
		ANGULAR ±1/2°	DRAFT WHERE APPLICABLE MUST REMAIN WITHIN DIMENSIONS	MATERIAL NO. SEE TABEL	DOCUMENT NO. SD-130097-103	SHEET NO. 1 OF 1
			SIZE C	THIS DRAWING CONTAINS INFORMATION THAT IS PROPRIETARY TO MOLEX INCORPORATED AND SHOULD NOT BE USED WITHOUT WRITTEN PERMISSION		

X-ON Electronics

Largest Supplier of Electrical and Electronic Components

Click to view similar products for [Cable Glands, Strain Reliefs & Cord Grips](#) category:

Click to view products by [Molex](#) manufacturer:

Other Similar products are found below :

[1218](#) [1300980012](#) [1300980105](#) [DBZM-6828](#) [1498](#) [915](#) [300623](#) [5632NM](#) [1124](#) [1151](#) [561-MP6P4WH](#) [5534M](#) [9000005073](#) [52104486](#)
[5315817](#) [N16 025 0112 1](#) [N16 020 0112 1](#) [M6106](#) [7422](#) [NG-9516 Gasket](#) [N16 016 0112 1](#) [NG-9514 Gasket](#) [52006151](#) [2704](#) [BM4940L](#)
[BM4950L](#) [1.097.2012.50](#) [1.152.1300.01](#) [1.152.2000.50](#) [1.152.2100.01](#) [1.152.2500.50](#) [1.152.4000.50](#) [1.209.1218.70](#) [1.209.6400.71](#)
[1.609.1100.01](#) [1.609.2900.15](#) [1.609.3200.52](#) [1.609.3600.15](#) [1.609.5000.51](#) [1.676.2500.50](#) [52103150](#) [53112705](#) [53112715](#) [53112735](#)
[53119073](#) [54115405](#) [52004120](#) [52001894](#) [53018160](#) [APGPG36BA](#)