

MATERIAL NO.	OLD PART NO.	THREAD SIZE	CABLE DIA. RANGE	A	B	C	ITEM 1 COLOR	ITEM 2 MATERIAL	ITEM 2 COLOR	ITEM 3 MATERIAL	ITEM 4 MATERIAL	ITEM 4 COLOR
1300980235	5620	3/4" NPT	.187-.250 / 4.75-6.35	1.38 / 35.1	1 / 14-14	1.69 / 42.9	GRAY	NITRILE	ORANGE	HDPE	NYLON	GRAY
1300980236	5622		.250-.375 / 6.35-9.53						GRAY			
1300980225	5624		.375-.437 / 9.53-11.10						GREEN			
1300980096	5536		.437-.562 / 11.10-14.27						BLACK			
1300980103	5538		.500-.625 / 12.70-15.87						GRAY			
1300980112	5540		.562-.687 / 14.27-17.45						GREEN			
1300980118	5542		.625-.750 / 15.87-19.05						ORANGE			
1300980126	5544		.687-.812 / 17.44-20.62						YELLOW			

- NOTES:
1. MATERIAL: SEE TABLE
 2. FINISHES: SEE TABLE
 3. NEMA RATING: NEMA 3R
 4. RoHS COMPLIANT: YES

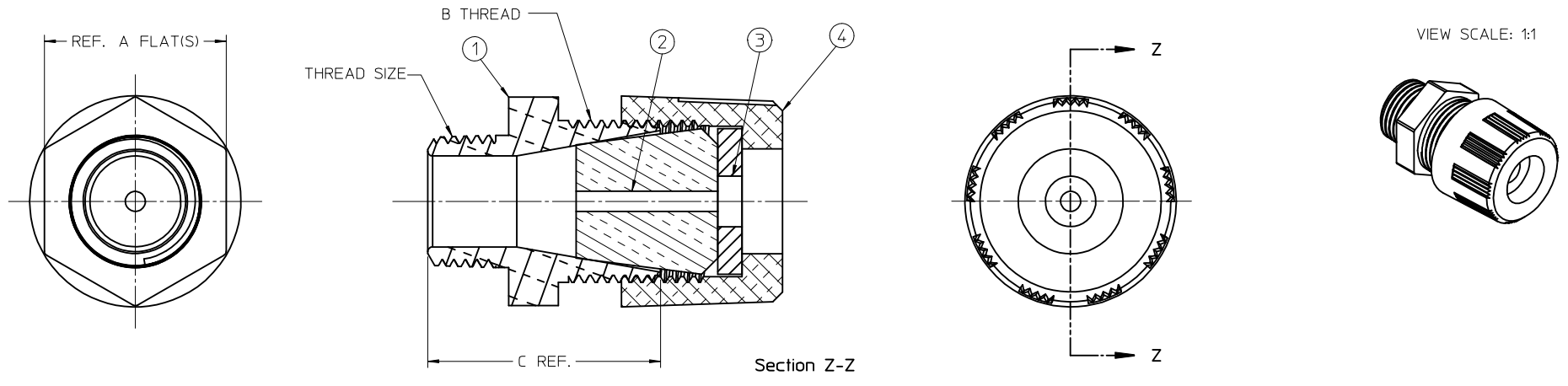
OLD DOCUMENT NO. SD-130098-003

SYMBOLS	THIS DRAWING CONTAINS INFORMATION THAT IS PROPRIETARY TO MOLEX ELECTRONIC TECHNOLOGIES, LLC AND SHOULD NOT BE USED WITHOUT WRITTEN PERMISSION												
	DIMENSION UNITS INCH/MM	SCALE NTS	CURRENT REV DESC: MIGRATION TO ECTR/NX										
0 PLACES ± 0.3 ± 1 PLACE ± 0.3 ± 2 PLACES ± ± 0.01 3 PLACES ± ± ± 4 PLACES ± ± ± ±	GENERAL TOLERANCES (UNLESS SPECIFIED) MM INCH ± ± ± ± 0.01 ± ± ± ± ±	EC NO: 630126 DRWN: PPURSUTANDEL 2019/12/03 CHK'D: ALEON01 2020/05/21 APPR: HKNEELAND 2020/05/22								MAX-LOC F3 3/4 (.187-.250)			
0 PLACES ± ± ANGULAR TOL ± 0.5 °	DRAFT WHERE APPLICABLE MUST REMAIN WITHIN DIMENSIONS	THIRD ANGLE PROJECTION	DRAWING	SERIES C-SIZE 130098	INITIAL REVISION: DRWN: R.STONE 2009/02/23 APPR: J. MURPHY 2009/03/03						DOCUMENT NUMBER 1300980235	DOC TYPE PSD	DOC PART 000
0 PLACES ± ± ANGULAR TOL ± 0.5 °	DRAFT WHERE APPLICABLE MUST REMAIN WITHIN DIMENSIONS	THIRD ANGLE PROJECTION	DRAWING	SERIES C-SIZE 130098	MATERIAL NUMBER SEE TABLE					CUSTOMER GENERAL MARKET	SHEET NUMBER 1 OF 1		

ITEM	DESCRIPTION	MATERIAL	FINISH	QTY.
1	STRAIGHT MALE BODY	NYLON	SEE TABLE	1
2	GROMMET	SEE TABLE	SEE TABLE	1
3	COMPRESSION RING	SEE TABLE	NATURAL (WHITE)	1
4	COMPRESSION NUT	SEE TABLE	SEE TABLE	1

DOCUMENT STATUS P1 RELEASE DATE 2020/05/22 15:08:54

13 12 11 10 9 8 7 6 5 4 3 2 1



MATERIAL NO.	OLD PART NO.	THREAD SIZE	CABLE DIA. RANGE	A	B	C	ITEM 1 COLOR	ITEM 2 MATERIAL	ITEM 2 COLOR	ITEM 3 MATERIAL	ITEM 4 MATERIAL	ITEM 4 COLOR
1300980024	5398	1/4" NPT	.075-.135 / 1.91-3.43	.69 / 17.5	1/2-18	.92 / 23.4	GRAY	NITRILE	BLACK	NYLON	NYLON	GRAY
1300980025	5400		.135-.200 / 3.43-5.08						GRAY			
1300980026	5402		.200-.265 / 5.08-6.73						GREEN			
1300980027	5500	3/8" NPT	.125-.187 / 3.18-4.75	1.00 / 25.4	7/8-14	1.25 / 31.8	GRAY	NITRILE	YELLOW	HDPE	NYLON	GRAY
1300980029	5502		.187-.250 / 4.75-6.35						ORANGE			
1300980031	5504		.250-.312 / 6.35-7.92						BLACK			
1300980032	5506		.312-.375 / 7.92-9.53						GRAY			
1300980034	5508		.375-.437 / 9.53-11.10						GREEN			
1300980036	5518	1/2" NPT	.062-.125 / 1.57-3.18	1.13 / 28.7	1"-14	1.44 / 36.6	GRAY	NITRILE	BLACK	HDPE	NYLON	GRAY
1300980041	5520		.125-.187 / 3.18-4.75						YELLOW			
1300980046	5522		.187-.250 / 4.75-6.35						ORANGE			
1300980052	5524		.250-.312 / 6.35-7.92						BLACK			
1300980061	5526		.312-.375 / 7.92-9.53						GRAY			
1300980069	5528		.375-.437 / 9.53-11.10						GREEN			
1300980076	5530		.437-.500 / 11.10-12.70						ORANGE			
1300980082	5532		.500-.562 / 12.70-14.27						BLACK			
1300980235	5620	3/4" NPT	.187-.250 / 4.75-6.35	1.38 / 35.1	1 1/4-14	1.69 / 42.9	GRAY	NITRILE	ORANGE	HDPE	NYLON	GRAY
1300980236	5622		.250-.375 / 6.35-9.53						GRAY			
1300980225	5624		.375-.437 / 9.53-11.10						GREEN			
1300980096	5536		.437-.562 / 11.10-14.27						BLACK			
1300980103	5538		.500-.625 / 12.70-15.87						GRAY			
1300980112	5540		.562-.687 / 14.27-17.45						GREEN			
1300980118	5542		.625-.750 / 15.87-19.05						ORANGE			

NOTES:
 1. MATERIAL: SEE TABLE
 2. FINISHES: SEE TABLE
 3. NEMA RATING: NEMA 3R
 4. RoHS COMPLIANT: YES

RELEASED EC NO: WNAZ005-0534 DRAWING DATE: 2009/03/11 DRAWN BY: J. MURPHY CHECKED BY: B. WOODMAN APPROVED BY: J. MURPHY DATE: 2009/03/03	QUALITY SYMBOLS	GENERAL TOLERANCES (UNLESS SPECIFIED)	DIMENSION STYLE	SCALE	DESIGN UNITS	THIRD ANGLE PROJECTION
	▽=0	mm INCH	IN/MM	2:1	INCH	
	▽=0.010	4 PLACES ± --- ± ---	DRAWN BY: R. STONE	DATE: 2009/02/23	TITLE: MAX-LOC STRAIN RELIEF CORD GRIP, STRAIGHT MALE NO O-RING	
	▽=0.03	3 PLACES ± --- ± ---	CHECKED BY: B. WOODMAN	DATE: 2009/02/27		
	1 PLACE ± 0.3 ± ---	ANGULAR ±1/2°	APPROVED BY: J. MURPHY	DATE: 2009/03/03		
		DRAFT WHERE APPLICABLE MUST REMAIN WITHIN DIMENSIONS	MATERIAL NO. SEE CHART	DOCUMENT NO. SD-130098-003	SHEET NO. 1 OF 1	
			THIS DRAWING CONTAINS INFORMATION THAT IS PROPRIETARY TO MOLEX INCORPORATED AND SHOULD NOT BE USED WITHOUT WRITTEN PERMISSION			

4	1	COMPRESSION NUT	SEE CHART	SEE CHART
3	1	COMPRESSION RING	SEE CHART	NATURAL (WHITE)
2	1	GROMMET	SEE CHART	SEE CHART
1	1	STRAIGHT MALE BODY	NYLON	SEE CHART
ITEM	QTY.	DESCRIPTION	MATERIAL	FINISH

J
I
H
G
F
E
D
C
B
A

J
I
H
G
F
E
D
C
B
A

X-ON Electronics

Largest Supplier of Electrical and Electronic Components

Click to view similar products for [Cable Glands, Strain Reliefs & Cord Grips](#) category:

Click to view products by [Molex](#) manufacturer:

Other Similar products are found below :

[1218](#) [1300980012](#) [1300980105](#) [DBZM-6828](#) [1498](#) [915](#) [300623](#) [5632NM](#) [1124](#) [1151](#) [561-MP6P4WH](#) [5534M](#) [9000005073](#) [52104486](#)
[5315817](#) [N16 025 0112 1](#) [N16 020 0112 1](#) [M6106](#) [7422](#) [NG-9516 Gasket](#) [N16 016 0112 1](#) [NG-9514 Gasket](#) [52006151](#) [2704](#) [1.097.2012.50](#)
[1.152.1300.01](#) [1.152.2000.50](#) [1.152.2100.01](#) [1.152.2500.50](#) [1.152.4000.50](#) [1.209.1218.70](#) [1.209.2100.15](#) [1.209.6400.71](#) [1.609.1100.01](#)
[1.609.2900.15](#) [1.609.3200.52](#) [1.609.3600.15](#) [1.609.5000.51](#) [1.609.6300.50](#) [1.676.2500.50](#) [53112705](#) [53112715](#) [53112735](#) [53119073](#)
[54115405](#) [52004120](#) [52001894](#) [53018160](#) [APGPG36BA](#) [1300990004](#)