

| MATERIAL NO. | OLD PART NO. | THREAD SIZE | CABLE DIA. RANGE        | A           | B         | C           | ITEM 1 COLOR | ITEM 2 MATERIAL | ITEM 2 COLOR | ITEM 3 MATERIAL | ITEM 4 MATERIAL | ITEM 4 COLOR |
|--------------|--------------|-------------|-------------------------|-------------|-----------|-------------|--------------|-----------------|--------------|-----------------|-----------------|--------------|
| 1300980235   | 5620         | 3/4" NPT    | .187-.250 / 4.75-6.35   | 1.38 / 35.1 | 1 / 14-14 | 1.69 / 42.9 | GRAY         | NITRILE         | ORANGE       | HDPE            | NYLON           | GRAY         |
| 1300980236   | 5622         |             | .250-.375 / 6.35-9.53   |             |           |             |              |                 | GRAY         |                 |                 |              |
| 1300980225   | 5624         |             | .375-.437 / 9.53-11.10  |             |           |             |              |                 | GREEN        |                 |                 |              |
| 1300980096   | 5536         |             | .437-.562 / 11.10-14.27 |             |           |             |              |                 | BLACK        |                 |                 |              |
| 1300980103   | 5538         |             | .500-.625 / 12.70-15.87 |             |           |             |              |                 | GRAY         |                 |                 |              |
| 1300980112   | 5540         |             | .562-.687 / 14.27-17.45 |             |           |             |              |                 | GREEN        |                 |                 |              |
| 1300980118   | 5542         |             | .625-.750 / 15.87-19.05 |             |           |             |              |                 | ORANGE       |                 |                 |              |
| 1300980126   | 5544         |             | .687-.812 / 17.44-20.62 |             |           |             |              |                 | YELLOW       |                 |                 |              |

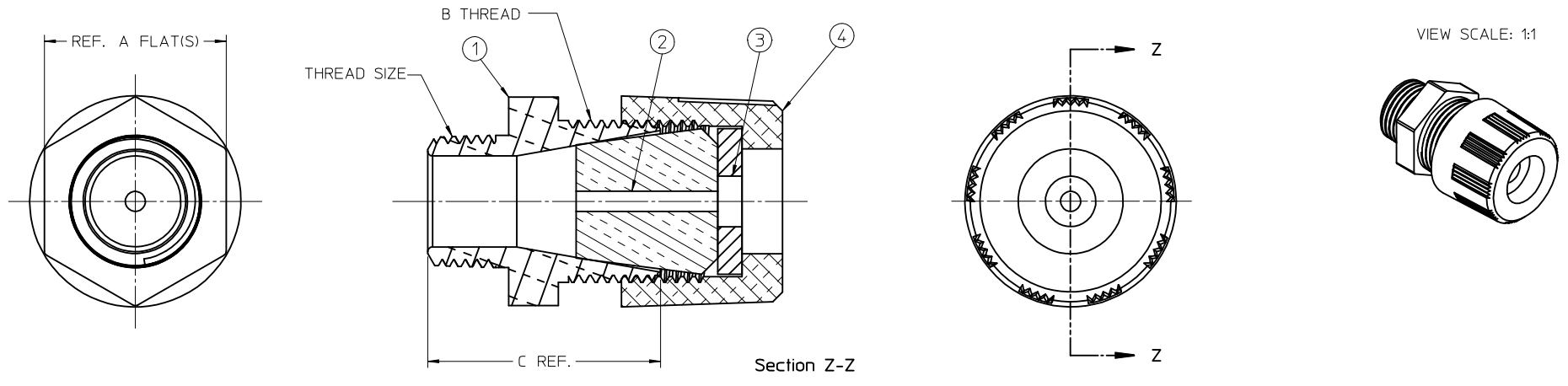
- NOTES:  
 1. MATERIAL: SEE TABLE  
 2. FINISHES: SEE TABLE  
 3. NEMA RATING: NEMA 3R  
 4. RoHS COMPLIANT: YES

OLD DOCUMENT NO. SD-130098-003

|         |   |       |                        |   |  |                      |  |  |  |  |  |
|---------|---|-------|------------------------|---|--|----------------------|--|--|--|--|--|
| SYMBOLS | THIS DRAWING CONTAINS INFORMATION THAT IS PROPRIETARY TO MOLEX ELECTRONIC TECHNOLOGIES, LLC AND SHOULD NOT BE USED WITHOUT WRITTEN PERMISSION |       |                        |   |  |                      |  |  |  |  |  |
|         | DIMENSION UNITS   |       | SCALE                  |   | CURRENT REV DESC: MIGRATION TO ECTR/NX |                      |  |  |  |  |  |
| ∇ = 0   | INCH/MM   | NTS   |                        | <b>molex</b><br>MAX-LOC F3 3/4 (.187-.250)<br>PRODUCT CUSTOMER DRAWING                                    |  |                      |  |  |  |  |  |
| ∇ = 0   | GENERAL TOLERANCES (UNLESS SPECIFIED)   |       |                        |   |  |                      |  |  |  |  |  |
| ∇ = 0   |   | MM    | INCH                   | EC NO: 630126<br>DRWN: PPURSUTANDEL 2019/12/03<br>CHK'D: ALEON01 2020/05/21<br>APPR: HKNEELAND 2020/05/22 |  |                      |  |  |  |  |  |
| S = 0   | 4 PLACES  | ±     | ±                      | INITIAL REVISION:<br>DRWN: R.STONE 2009/02/23<br>APPR: J. MURPHY 2009/03/03                               |  |                      |  |  |  |  |  |
| ∇ = 0   | 3 PLACES  | ±     | ±                      |   |  |                      |  |  |  |  |  |
| ∇ = 0   | 2 PLACES  | ±     | ± 0.01                 | DOCUMENT NUMBER: <b>1300980235</b><br>DOC TYPE: PSD<br>DOC PART: 000<br>REVISION: <b>A2</b>               |  |                      |  |  |  |  |  |
| ∇ = 0   | 1 PLACE   | ± 0.3 | ±                      |   |  |                      |  |  |  |  |  |
| ∇ = 0   | 0 PLACES  | ±     | ±                      | MATERIAL NUMBER: SEE TABLE<br>CUSTOMER: GENERAL MARKET<br>SHEET NUMBER: 1 OF 1                            |  |                      |  |  |  |  |  |
| ∇ = 0   | ANGULAR TOL ± 0.5°  |       |                        |   |  |                      |  |  |  |  |  |
| ∇ = 0   | DRAFT WHERE APPLICABLE MUST REMAIN WITHIN DIMENSIONS  |       | THIRD ANGLE PROJECTION | DRAWING   | SERIES                                 | C-SIZE <b>130098</b> |  |  |  |  |  |

| ITEM | DESCRIPTION        | MATERIAL  | FINISH          | QTY. |
|------|--------------------|-----------|-----------------|------|
| 1    | STRAIGHT MALE BODY | NYLON     | SEE TABLE       | 1    |
| 2    | GROMMET            | SEE TABLE | SEE TABLE       | 1    |
| 3    | COMPRESSION RING   | SEE TABLE | NATURAL (WHITE) | 1    |
| 4    | COMPRESSION NUT    | SEE TABLE | SEE TABLE       | 1    |

13 12 11 10 9 8 7 6 5 4 3 2 1



| MATERIAL NO. | OLD PART NO. | THREAD SIZE | CABLE DIA. RANGE        | A           | B        | C           | ITEM 1 COLOR | ITEM 2 MATERIAL | ITEM 2 COLOR | ITEM 3 MATERIAL | ITEM 4 MATERIAL | ITEM 4 COLOR |
|--------------|--------------|-------------|-------------------------|-------------|----------|-------------|--------------|-----------------|--------------|-----------------|-----------------|--------------|
| 1300980024   | 5398         | 1/4" NPT    | .075-.135 / 1.91-3.43   | .69 / 17.5  | 1/2-18   | .92 / 23.4  | GRAY         | NITRILE         | BLACK        | NYLON           | NYLON           | GRAY         |
| 1300980025   | 5400         |             | .135-.200 / 3.43-5.08   |             |          |             |              |                 | GRAY         |                 |                 |              |
| 1300980026   | 5402         |             | .200-.265 / 5.08-6.73   |             |          |             |              |                 | GREEN        |                 |                 |              |
| 1300980027   | 5500         | 3/8" NPT    | .125-.187 / 3.18-4.75   | 1.00 / 25.4 | 7/8-14   | 1.25 / 31.8 | GRAY         | NITRILE         | YELLOW       | HDPE            | NYLON           | GRAY         |
| 1300980029   | 5502         |             | .187-.250 / 4.75-6.35   |             |          |             |              |                 | ORANGE       |                 |                 |              |
| 1300980031   | 5504         |             | .250-.312 / 6.35-7.92   |             |          |             |              |                 | BLACK        |                 |                 |              |
| 1300980032   | 5506         |             | .312-.375 / 7.92-9.53   |             |          |             |              |                 | GRAY         |                 |                 |              |
| 1300980034   | 5508         |             | .375-.437 / 9.53-11.10  |             |          |             |              |                 | GREEN        |                 |                 |              |
| 1300980036   | 5518         | 1/2" NPT    | .062-.125 / 1.57-3.18   | 1.13 / 28.7 | 1"-14    | 1.44 / 36.6 | GRAY         | NITRILE         | BLACK        | HDPE            | NYLON           | GRAY         |
| 1300980041   | 5520         |             | .125-.187 / 3.18-4.75   |             |          |             |              |                 | YELLOW       |                 |                 |              |
| 1300980046   | 5522         |             | .187-.250 / 4.75-6.35   |             |          |             |              |                 | ORANGE       |                 |                 |              |
| 1300980052   | 5524         |             | .250-.312 / 6.35-7.92   |             |          |             |              |                 | BLACK        |                 |                 |              |
| 1300980061   | 5526         |             | .312-.375 / 7.92-9.53   |             |          |             |              |                 | GRAY         |                 |                 |              |
| 1300980069   | 5528         |             | .375-.437 / 9.53-11.10  |             |          |             |              |                 | GREEN        |                 |                 |              |
| 1300980076   | 5530         |             | .437-.500 / 11.10-12.70 |             |          |             |              |                 | ORANGE       |                 |                 |              |
| 1300980082   | 5532         |             | .500-.562 / 12.70-14.27 |             |          |             |              |                 | BLACK        |                 |                 |              |
| 1300980235   | 5620         | 3/4" NPT    | .187-.250 / 4.75-6.35   | 1.38 / 35.1 | 1 1/4-14 | 1.69 / 42.9 | GRAY         | NITRILE         | ORANGE       | HDPE            | NYLON           | GRAY         |
| 1300980236   | 5622         |             | .250-.375 / 6.35-9.53   |             |          |             |              |                 | GRAY         |                 |                 |              |
| 1300980225   | 5624         |             | .375-.437 / 9.53-11.10  |             |          |             |              |                 | GREEN        |                 |                 |              |
| 1300980096   | 5536         |             | .437-.562 / 11.10-14.27 |             |          |             |              |                 | BLACK        |                 |                 |              |
| 1300980103   | 5538         |             | .500-.625 / 12.70-15.87 |             |          |             |              |                 | GRAY         |                 |                 |              |
| 1300980112   | 5540         |             | .562-.687 / 14.27-17.45 |             |          |             |              |                 | GREEN        |                 |                 |              |
| 1300980118   | 5542         |             | .625-.750 / 15.87-19.05 |             |          |             |              |                 | ORANGE       |                 |                 |              |

NOTES:  
 1. MATERIAL: SEE TABLE  
 2. FINISHES: SEE TABLE  
 3. NEMA RATING: NEMA 3R  
 4. RoHS COMPLIANT: YES

|  |                      |                                       |  |                    |              |   |                            |
|--|----------------------|---------------------------------------|--|--------------------|--------------|---|----------------------------|
| RELEASED<br>EC NO: WNAZ005-0534<br>DRAWING DATE: 2009/03/11<br>DRAWN BY: J. MURPHY<br>CHECKED BY: B. WOODMAN<br>APPROVED BY: J. MURPHY<br>DATE: 2009/03/03 | QUALITY SYMBOLS      | GENERAL TOLERANCES (UNLESS SPECIFIED) | DIMENSION STYLE                                      | SCALE              | DESIGN UNITS | THIRD ANGLE PROJECTION  |                            |
|  |                      | mm INCH                               | IN/MM  | 2:1                | INCH         |   |                            |
|  | 4 PLACES ±.005 ±.005 | 3 PLACES ±.005 ±.005                  | 2 PLACES ±.010 ±.010                                 | 1 PLACE ±0.3 ±.010 |              |   |                            |
|  | ANGULAR ±1/2°        |                                       | DRAFT WHERE APPLICABLE MUST REMAIN WITHIN DIMENSIONS |                    | SEE CHART    |   | DOCUMENT NO. SD-130098-003 |
| ITEM QTY. DESCRIPTION  |                      | MATERIAL FINISH                       |  | SHEET NO. 1 OF 1   |              | THIS DRAWING CONTAINS INFORMATION THAT IS PROPRIETARY TO MOLEX INCORPORATED AND SHOULD NOT BE USED WITHOUT WRITTEN PERMISSION |                            |

|   |   |                    |           |                 |
|---|---|--------------------|-----------|-----------------|
| 4 | 1 | COMPRESSION NUT    | SEE CHART | SEE CHART       |
| 3 | 1 | COMPRESSION RING   | SEE CHART | NATURAL (WHITE) |
| 2 | 1 | GROMMET            | SEE CHART | SEE CHART       |
| 1 | 1 | STRAIGHT MALE BODY | NYLON     | SEE CHART       |

13 12 11 10 9 8 7 6 5 4 3 2 1

## X-ON Electronics

Largest Supplier of Electrical and Electronic Components

*Click to view similar products for [Cable Glands, Strain Reliefs & Cord Grips](#) category:*

*Click to view products by [Molex](#) manufacturer:*

Other Similar products are found below :

[1218](#) [1300980012](#) [1300980105](#) [DBZM-6828](#) [1498](#) [915](#) [300623](#) [5632NM](#) [1124](#) [1151](#) [561-MP6P4WH](#) [5534M](#) [9000005073](#) [52104486](#)  
[5315817](#) [N16 025 0112 1](#) [N16 020 0112 1](#) [M6106](#) [7422](#) [NG-9516 Gasket](#) [N16 016 0112 1](#) [NG-9514 Gasket](#) [52006151](#) [2704](#) [BM4940L](#)  
[BM4950L](#) [1.097.2012.50](#) [1.152.1300.01](#) [1.152.2000.50](#) [1.152.2100.01](#) [1.152.2500.50](#) [1.152.4000.50](#) [1.209.1218.70](#) [1.209.6400.71](#)  
[1.609.1100.01](#) [1.609.2900.15](#) [1.609.3200.52](#) [1.609.3600.15](#) [1.609.5000.51](#) [1.676.2500.50](#) [52103150](#) [53112705](#) [53112715](#) [53112735](#)  
[53119073](#) [54115405](#) [52004120](#) [52001894](#) [53018160](#) [APGPG36BA](#)