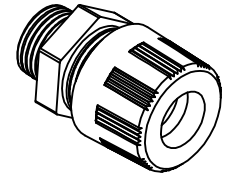
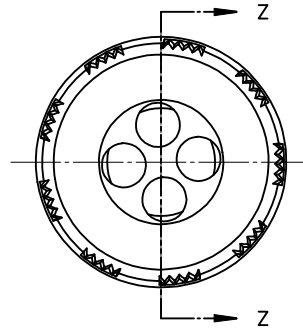
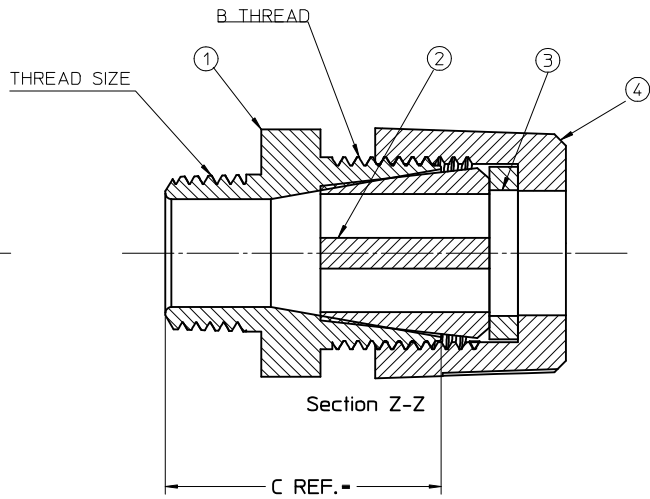
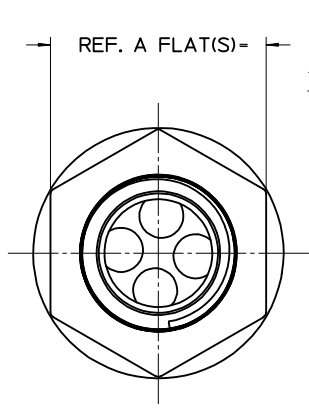


MATERIAL NO.	OLD PART NO.	THREAD SIZE	CABLE (HOLE) DIA.	NUMBER OF HOLES	A	B	C	ITEM 1 COLOR	ITEM 2 MATERIAL	ITEM 2 COLOR	ITEM 3 MATERIAL	ITEM 4 MATERIAL	ITEM 4 COLOR
1300980195	5594-004	1/2" NPT	.225/5.72	4	1.13/28.7	1"-14	1.44/36.6	Gray	Nitrile	Black	HDPE	Nylon	Gray
1300980197	5594-005	1/2" NPT	.250/6.35	3	1.13/28.7	1"-14	1.44/36.6	Gray	Nitrile	Gray	HDPE	Nylon	Gray
1300980199	5594-006	1/2" NPT	.290/7.37	2	1.13/28.7	1"-14	1.44/36.6	Gray	Nitrile	Black	HDPE	Nylon	Gray
1300980202	5594-007	1/2" NPT	.156/3.96	4	1.13/28.7	1"-14	1.44/36.6	Gray	Nitrile	Orange	HDPE	Nylon	Gray
1300980204	5594-008	1/2" NPT	.187/4.75	7	1.13/28.7	1"-14	1.44/36.6	Gray	Nitrile	Yellow	HDPE	Nylon	Gray

- NOTES:
 1. MATERIAL: SEE TABLE
 2. FINISHES: SEE TABLE
 3. NEMA RATING: NEMA 3R
 4. RoHS COMPLIANT: YES

ITEM	QTY.	DESCRIPTION	MATERIAL	FINISH
4	1	COMPRESSION NUT	SEE CHART	SEE CHART
3	1	COMPRESSION RING	SEE CHART	NATURAL (WHITE)
2	1	GROMMET	SEE CHART	SEE CHART
1	1	STRAIGHT MALE BODY	NYLON	SEE CHART

2009/06/10 ENTER DESCRIPTION EC NO: WNA2009-0746 DRW: NKUMAR01 2009/05/15 CHKD: APPR: JFMURPHY	QUALITY SYMBOLS $\nabla=0$ $\nabla=0$	GENERAL TOLERANCES (UNLESS SPECIFIED)	DIMENSION STYLE IN/MM	SCALE 2:1	DESIGN UNITS INCH	THIRD ANGLE PROJECTION															
		<table border="1"> <thead> <tr> <th></th> <th>mm</th> <th>INCH</th> </tr> </thead> <tbody> <tr> <td>4 PLACES</td> <td>\pm ---</td> <td>\pm ---</td> </tr> <tr> <td>3 PLACES</td> <td>\pm ---</td> <td>\pm ---</td> </tr> <tr> <td>2 PLACES</td> <td>\pm ---</td> <td>$\pm .010$</td> </tr> <tr> <td>1 PLACE</td> <td>± 0.3</td> <td>\pm ---</td> </tr> </tbody> </table>		mm	INCH	4 PLACES	\pm ---	\pm ---	3 PLACES	\pm ---	\pm ---	2 PLACES	\pm ---	$\pm .010$	1 PLACE	± 0.3	\pm ---	DRAWN BY: NKUMAR01 DATE: 2009/05/15 CHECKED BY: BWOODMAN DATE: 2009/05/18 APPROVED BY: JFMURPHY DATE: 2009/05/18	TITLE: MAX-LOC F2 1/2 (MULTI-HOLE) (4).225HOLES NO O-RING		
		mm	INCH																		
	4 PLACES	\pm ---	\pm ---																		
3 PLACES	\pm ---	\pm ---																			
2 PLACES	\pm ---	$\pm .010$																			
1 PLACE	± 0.3	\pm ---																			
	ANGULAR $\pm 1/2^\circ$	DRAFT WHERE APPLICABLE MUST REMAIN WITHIN DIMENSIONS	SEE CHART	MOLEX INCORPORATED DOCUMENT NO. SD-130098-195																	
			SIZE C	THIS DRAWING CONTAINS INFORMATION THAT IS PROPRIETARY TO MOLEX INCORPORATED AND SHOULD NOT BE USED WITHOUT WRITTEN PERMISSION																	



MATERIAL NO.	OLD PART NO.	THREAD SIZE	CABLE (HOLE) DIA.	NUMBER OF HOLES	A	B	C	ITEM 1 COLOR	ITEM 2 MATERIAL	ITEM 2 COLOR	ITEM 3 MATERIAL	ITEM 4 MATERIAL	ITEM 4 COLOR
1300980195	5594-004	1/2" NPT	.225/5.72	4	1.13/28.7	1"-14	1.44/36.6	Gray	Nitrile	Black	HDPE	Nylon	Gray
1300980197	5594-005	1/2" NPT	.250/6.35	3	1.13/28.7	1"-14	1.44/36.6	Gray	Nitrile	Gray	HDPE	Nylon	Gray
1300980199	5594-006	1/2" NPT	.290/7.37	2	1.13/28.7	1"-14	1.44/36.6	Gray	Nitrile	Black	HDPE	Nylon	Gray
1300980202	5594-007	1/2" NPT	.156/3.96	4	1.13/28.7	1"-14	1.44/36.6	Gray	Nitrile	Orange	HDPE	Nylon	Gray
1300980204	5594-008	1/2" NPT	.187/4.75	7	1.13/28.7	1"-14	1.44/36.6	Gray	Nitrile	Yellow	HDPE	Nylon	Gray

- NOTES:
 1. MATERIAL: SEE TABLE
 2. FINISHES: SEE TABLE
 3. NEMA RATING: NEMA 3R
 4. RoHS COMPLIANT: YES

ITEM	QTY.	DESCRIPTION	MATERIAL	FINISH
4	1	COMPRESSION NUT	SEE CHART	SEE CHART
3	1	COMPRESSION RING	SEE CHART	NATURAL (WHITE)
2	1	GROMMET	SEE CHART	SEE CHART
1	1	STRAIGHT MALE BODY	NYLON	SEE CHART

2009/06/10 ENTER DESCRIPTION EC NO: WNA2009-0746 DRW: NKUMAR01 2009/05/15 CHKD: APPR: JFMURPHY	QUALITY SYMBOLS $\nabla=0$ $\nabla=0$	GENERAL TOLERANCES (UNLESS SPECIFIED)	DIMENSION STYLE IN/MM	SCALE 2:1	DESIGN UNITS INCH	THIRD ANGLE PROJECTION															
		<table border="1"> <thead> <tr> <th></th> <th>mm</th> <th>INCH</th> </tr> </thead> <tbody> <tr> <td>4 PLACES</td> <td>\pm ---</td> <td>\pm ---</td> </tr> <tr> <td>3 PLACES</td> <td>\pm ---</td> <td>\pm ---</td> </tr> <tr> <td>2 PLACES</td> <td>\pm ---</td> <td>$\pm .010$</td> </tr> <tr> <td>1 PLACE</td> <td>± 0.3</td> <td>\pm ---</td> </tr> </tbody> </table>		mm	INCH	4 PLACES	\pm ---	\pm ---	3 PLACES	\pm ---	\pm ---	2 PLACES	\pm ---	$\pm .010$	1 PLACE	± 0.3	\pm ---	DRAWN BY: NKUMAR01 DATE: 2009/05/15 CHECKED BY: BWOODMAN DATE: 2009/05/18 APPROVED BY: JFMURPHY DATE: 2009/05/18	TITLE: MAX-LOC F2 1/2 (MULTI-HOLE) (4).225HOLES NO O-RING		
		mm	INCH																		
	4 PLACES	\pm ---	\pm ---																		
3 PLACES	\pm ---	\pm ---																			
2 PLACES	\pm ---	$\pm .010$																			
1 PLACE	± 0.3	\pm ---																			
	ANGULAR $\pm 1/2^\circ$	DRAFT WHERE APPLICABLE MUST REMAIN WITHIN DIMENSIONS	SEE CHART	MOLEX INCORPORATED DOCUMENT NO. SD-130098-195																	
			SIZE C	THIS DRAWING CONTAINS INFORMATION THAT IS PROPRIETARY TO MOLEX INCORPORATED AND SHOULD NOT BE USED WITHOUT WRITTEN PERMISSION																	

X-ON Electronics

Largest Supplier of Electrical and Electronic Components

Click to view similar products for [Cable Glands, Strain Reliefs & Cord Grips](#) category:

Click to view products by [Molex](#) manufacturer:

Other Similar products are found below :

[1218](#) [1300980012](#) [1300980105](#) [DBZM-6828](#) [1498](#) [915](#) [300623](#) [5632NM](#) [1124](#) [1151](#) [561-MP6P4WH](#) [5534M](#) [9000005073](#) [52104486](#)
[5315817](#) [N16 025 0112 1](#) [N16 020 0112 1](#) [M6106](#) [7422](#) [NG-9516 Gasket](#) [N16 016 0112 1](#) [NG-9514 Gasket](#) [52006151](#) [2704](#) [BM4940L](#)
[BM4950L](#) [1.097.2012.50](#) [1.152.1300.01](#) [1.152.2000.50](#) [1.152.2100.01](#) [1.152.2500.50](#) [1.152.4000.50](#) [1.209.1218.70](#) [1.209.6400.71](#)
[1.609.1100.01](#) [1.609.2900.15](#) [1.609.3200.52](#) [1.609.3600.15](#) [1.609.5000.51](#) [1.676.2500.50](#) [52103150](#) [53112705](#) [53112715](#) [53112735](#)
[53119073](#) [54115405](#) [52004120](#) [52001894](#) [53018160](#) [APGPG36BA](#)