

PLEASE CHECK WWW.MOLEX.COM FOR LATEST PART INFORMATION

Part Number: [1301170052](#)
Status: **Active**
Description: Standard Box Track System, Joint Bracket

Documents:
[RoHS Certificate of Compliance \(PDF\)](#)

General

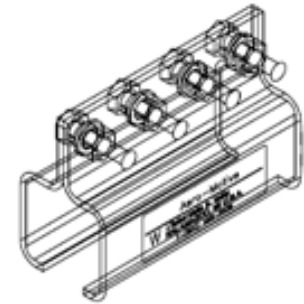
Product Family	Festoons
Series	130117
Component Type	Clamp - Standard Joint
Depth	N/A
Duty	Medium
Height	N/A
Length	N/A
Product Name	Aero-Motive
Type	Box Track - Standard
UPC	78678863155

Physical

Material - Metal	N/A
Material - Resin	Nylon
Net Weight	936.750/g
Packaging Type	Individual Carton
Saddle Radius	N/A
Thread Size	N/A
Wire/Cable Type	N/A

Material Info

Engineering Number	5200JB
--------------------	--------



Series image - Reference only

EU ELV

Not Reviewed

EU RoHS

Not Reviewed

REACH SVHC

Not Reviewed

Halogen-Free

Status

Not Reviewed

For more information, please visit [Contact US](#)

China ROHS

Not Reviewed

ELV

Not Reviewed

RoHS Phthalates

Not Reviewed

China RoHS

Search Parts in this Series

[130117 Series](#)

X-ON Electronics

Largest Supplier of Electrical and Electronic Components

Click to view similar products for [Wire Ducting & Raceways](#) category:

Click to view products by [Molex](#) manufacturer:

Other Similar products are found below :

[800A-LB](#) [801I-LSP](#) [802A-ECSP](#) [802I-ICSP](#) [923223-000](#) [PRAF6WH-X](#) [A0405538](#) [1301150342](#) [1301160034](#) [1301170070](#) [1301180011](#)
[1301230083](#) [1301230153](#) [1301240273](#) [1301250006](#) [1302261238](#) [1302261321](#) [1302262552](#) [1302263103](#) [1302263178](#) [1302263259](#)
[1302263816](#) [1302263860](#) [1302264375](#) [1302264390](#) [1301150343](#) [1301160030](#) [1301170050](#) [1301170051](#) [1301170061](#) [1301180013](#)
[1301230086](#) [1301230130](#) [1301240054](#) [1302260055](#) [1302260376](#) [1302261343](#) [1302261344](#) [1302262674](#) [1302263095](#) [1302263166](#)
[1302263209](#) [1302263513](#) [1302263851](#) [1302263870](#) [1302264137](#) [1302264218](#) [DD1/J](#) [AX101472](#) [AX102007](#)