

F

E

D

C

B

A

F

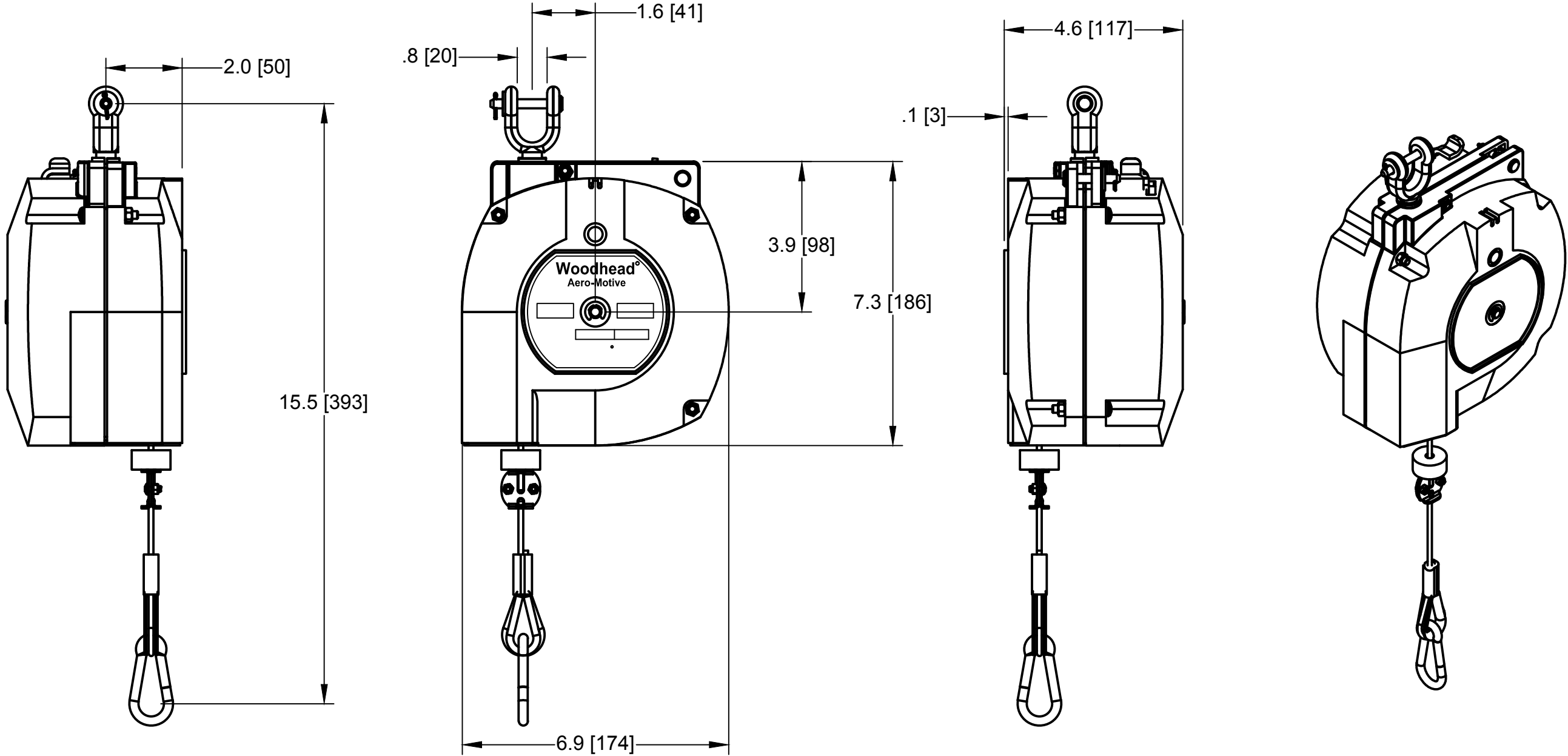
E

D

C

B

A



ALL DIMENSIONS ARE FOR REFERENCE ONLY.

- NOTES:
- BALANCERS ARE 100% INSPECTED & PRE-TENSIONED AT FACTORY.
 - HOUSINGS ARE MADE OF GENERAL PURPOSE ABS TO MEET HARSH INDUSTRIAL ENVIRONMENTS.
 - ALWAYS READ INSTRUCTIONS MANUAL BEFORE USING BALANCERS.
 - BALANCERS ARE NOT TO BE USED AS RETRACTORS THEIR MAIN PURPOSE BEING TO BALANCE A LOAD AND NOT TO RETRACT ONE.
 - IF A RATCHETING LOCK IS REQUIRED ADD AN "L" AFTER "BF" FAMILY OF BALANCERS. EXAMPLE BFL18 IS STANDARD BF18 BALANCER WITH A RATCHET LOCK FEATURE. FOR MORE INFO LOOK ON MAIN MATERIAL NUMBERS TABLE.
 - THESE BALANCERS DO NOT COME EQUIPPED WITH A SAFETY CHAIN.
 - TO OBTAIN BALANCER EQUIPPED WITH A SAFETY CHAIN ADD "SC" SUFFIX ON THE END OF ENGINEERING NUMBER. EXAMPLE "BF18SC".

CHNG COLOR AND ADD SHEET 3 EC NO: IPG2016-0105 DRWN: VOU 2016/02/22 CHKD: KJOZWIK 2016/02/22 APPR: JFMURPHY	DESCRIPTION REV B	QUALITY SYMBOLS ▼=0 ▽=0	GENERAL TOLERANCES (UNLESS SPECIFIED) 4 PLACES ±--- ±--- 3 PLACES ±--- ±.005 2 PLACES ±0.13 ±.010 1 PLACE ±0.25 ±.020 ANGULAR ±.5° DRAFT WHERE APPLICABLE MUST REMAIN WITHIN DIMENSIONS	DIMENSION STYLE IN/MM DRAWN BY: VOU DATE: 2016/02/22 CHECKED BY: DT DATE: 2009/09/30 APPROVED BY: DATE: --- MATERIAL NO.: SEE TABLE	SCALE: NTS DESIGN UNITS: INCH THIRD ANGLE PROJECTION	"BF" AND "BFLR" FAMILY OF BALANCERS ---- MOLEX INCORPORATED DOCUMENT NO.: SD-130170-001 SHEET NO.: 1 OF 3	
				SIZE: B THIS DRAWING CONTAINS INFORMATION THAT IS PROPRIETARY TO MOLEX INCORPORATED AND SHOULD NOT BE USED WITHOUT WRITTEN PERMISSION			
						MOLEX	
						MOLEX INCORPORATED	
						SD-130170-001	

MATERIAL NUMBER	ENG. NUMBER	DESCRIPTION	COLOR
1301700021	BF6	BF6 BALANCER [3-6LB/1.4-2.7KG],6.6FT	BLUE
1301700023	BF9	BF9 BALANCER [6-9LB/2.7-4.1KG],6.6FT	BLUE
1301700015	BF13	BF13 BALANCER [9-13LB/4.1-5.9KG],6.6FT	BLUE
1301700017	BF18	BF18 BALANCER [13-18LB/5.9-8.2KG],6.6FT	BLUE
1301700019	BF24	BF24 BALANCER [18-24LB/8.2-10.9KG],6.6FT	BLUE
1301700032	BFL6	BF6 BALANCER WITH RATCHET LOCK	BLUE
1301700033	BFL9	BF9 BALANCER WITH RATCHET LOCK	BLUE
1301700025	BFL13	BF13 BALANCER WITH RATCHET LOCK	BLUE
1301700027	BFL18	BF18 BALANCER WITH RATCHET LOCK	BLUE
1301700030	BFL24	BF24 BALANCER WITH RATCHET LOCK	BLUE

CHNG COLOR AND ADD SHEET 3 EC NO: IPG2016-0105 DRWN: VOU CHKD: KJOZWIK APPR: JFMURPHY	2016/02/22 2016/02/22	DESCRIPTION REV	QUALITY SYMBOLS	GENERAL TOLERANCES (UNLESS SPECIFIED)		DIMENSION STYLE		SCALE	DESIGN UNITS	THIRD ANGLE PROJECTION	
			▽=0 ∇=0	mm	INCH	IN/MM	NTS	INCH			
				4 PLACES ±---	±---	DRAWN BY	DATE	TITLE			
				3 PLACES ±---	±.005	VOU	2016/02/22	"BF" AND "BFLR" FAMILY OF BALANCERS			
	2 PLACES ±0.13	±.010	CHECKED BY	DATE	-----						
	1 PLACE ±0.25	±.020	DT	2009/09/30	MOLEX INCORPORATED						
	ANGULAR ±.5°		APPROVED BY	DATE	MATERIAL NO.		DOCUMENT NO.	SHEET NO.			
	DRAFT WHERE APPLICABLE MUST REMAIN WITHIN DIMENSIONS		---	---	SEE TABLE		SD-130170-001	2 OF 3			
			SIZE	THIS DRAWING CONTAINS INFORMATION THAT IS PROPRIETARY TO MOLEX INCORPORATED AND SHOULD NOT BE USED WITHOUT WRITTEN PERMISSION							
			B								

REPLACEMENT PART KITS

MATERIAL NUMBER	ENGINEERING NUMBER	DESCRIPTION
1301790423	H22510061	FRONT & REAR CASE ASSEMBLY
1301792025	H22510028	DRUM ASSEMBLY - BF6/BFL6
1301792026	H22510029	DRUM ASSEMBLY - BF9/BFL9
1301792027	H22510030	DRUM ASSEMBLY - BF13/BFL13
1301792028	H22510031	DRUM ASSEMBLY - BF18/BFL18
1301792029	H22510032	DRUM ASSEMBLY - BF24/BFL24
1302263054	H16510014	SWIVEL FORK KIT
1301791099	H13120012-RP	CABLE ASSEMBLY KIT
1302262589	H18110029	CLEVIS PIN KIT

NOTES:
- KITS NOT LISTED ABOVE ARE SPECIFIED ON INDIVIDUAL PRINT.

CHNG COLOR AND ADD SHEET 3 EC NO: IPG2016-0105 DRWN: VOU CHKD: KJOZWIK APPR: JFMURPHY	2016/02/22 2016/02/22	DESCRIPTION REV	QUALITY SYMBOLS	GENERAL TOLERANCES (UNLESS SPECIFIED)		DIMENSION STYLE		SCALE	DESIGN UNITS	THIRD ANGLE PROJECTION
			$\nabla=0$ $\sphericalangle=0$	mm	INCH	IN/MM		NTS	INCH	
				4 PLACES	±---	±---	DRAWN BY	DATE	TITLE "BF" AND "BFLR" FAMILY OF BALANCERS ----	
				3 PLACES	±---	±.005	VOU	2016/02/22		
	2 PLACES	±0.13	±.010	CHECKED BY	DATE	MOLEX INCORPORATED				
	1 PLACE	±0.25	±.020	DT	2009/09/30					
	ANGULAR ±.5°		DRAFT WHERE APPLICABLE MUST REMAIN WITHIN DIMENSIONS		APPROVED BY	DATE	MATERIAL NO.	DOCUMENT NO.	SHEET NO.	
					---	---	SEE TABLE	SD-130170-001	3 OF 3	
					SIZE	THIS DRAWING CONTAINS INFORMATION THAT IS PROPRIETARY TO MOLEX INCORPORATED AND SHOULD NOT BE USED WITHOUT WRITTEN PERMISSION				
					B					

X-ON Electronics

Largest Supplier of Electrical and Electronic Components

Click to view similar products for [Cable Mounting & Accessories](#) category:

Click to view products by [Molex](#) manufacturer:

Other Similar products are found below :

[582603-1](#) [009333-000](#) [727844N003](#) [747](#) [809090N001](#) [843188-000](#) [8666](#) [967279N002](#) [DB-11](#) [1300840039](#) [1300900096](#) [1301800416](#)
[1302264450](#) [1300830184](#) [1300830729](#) [1300900039](#) [1301580036](#) [1301850553](#) [1301860939](#) [1302000074](#) [1302261315](#) [1302264431](#)
[1337706-2](#) [APA18-AK](#) [1724](#) [1-787307-1](#) [185491N001](#) [1868](#) [HP-6N](#) [C-202-C](#) [202C221-13-0](#) [CA7308-000](#) [8S23-75FR-CS8184](#) [2684](#) [9648](#)
[3089](#) [988382-000](#) [A72821-000](#) [AA401](#) [173506-000](#) [1823](#) [202C292-13-0](#) [202C302-13-0](#) [2109](#) [300625](#) [3330](#) [3412](#) [M9142](#) [M9143](#) [529732-000](#)