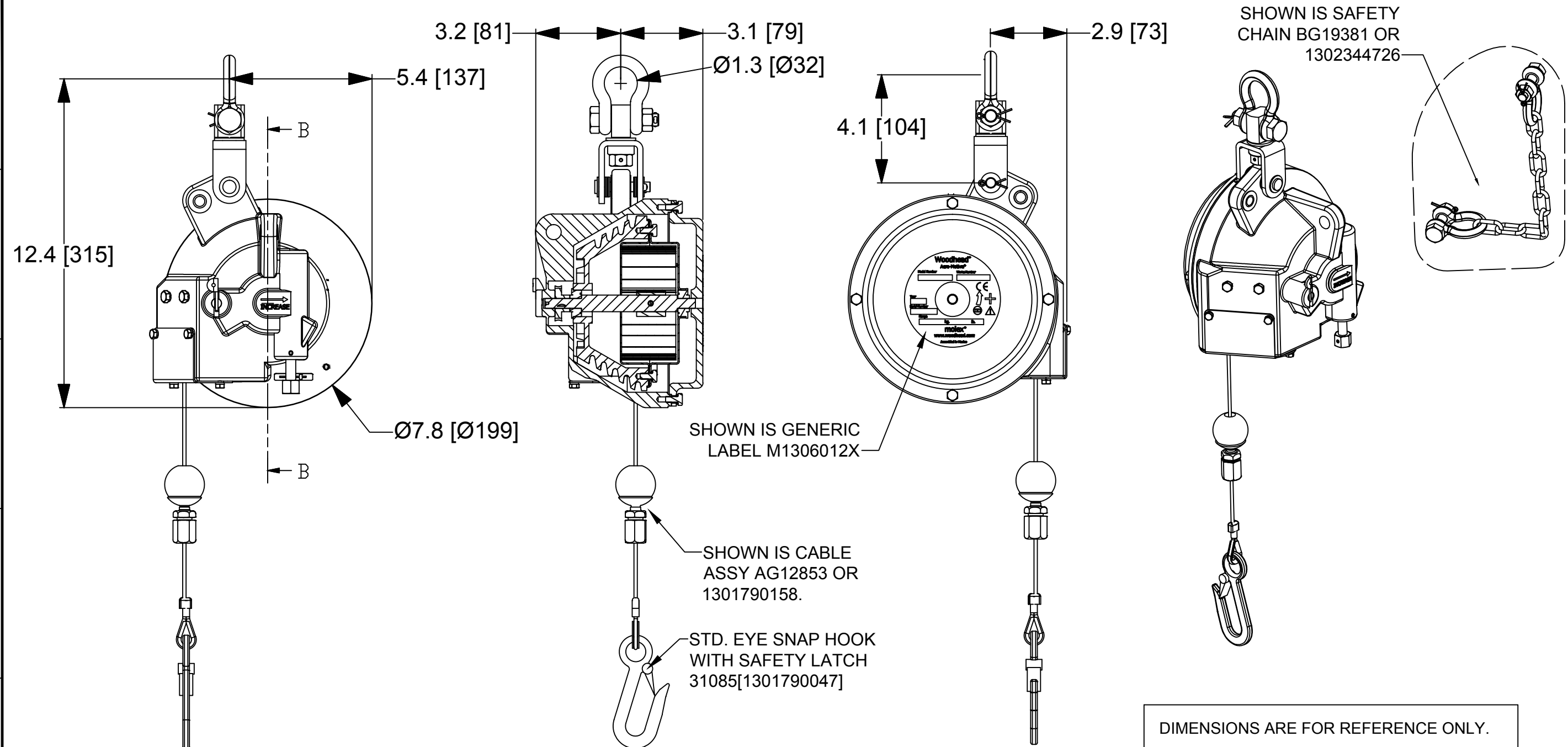
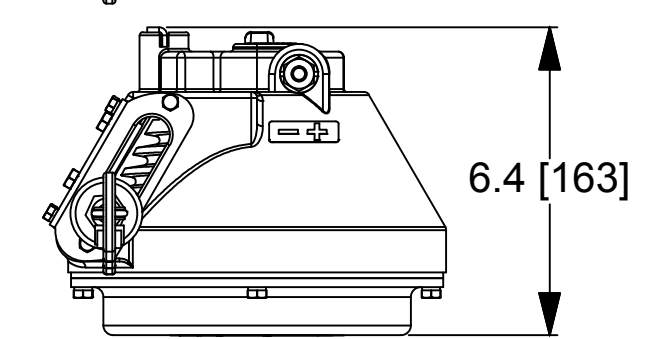


10 9 8 7 6 5 4 3 2 1

F
E
D
C
B
A



B
A

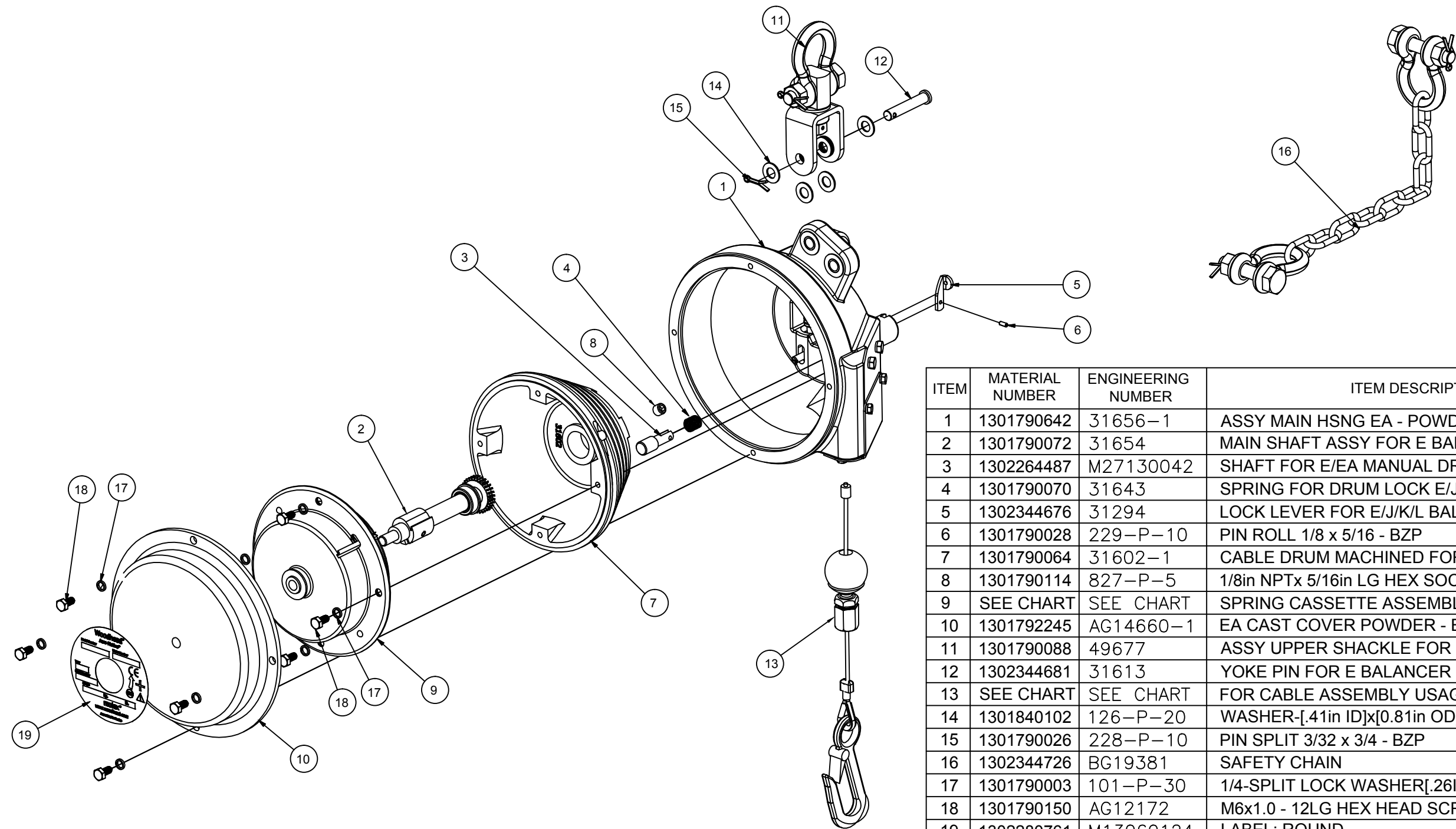


B-B

RELEASE EC NO: IPG2016-1217 DRWN: VOU 2016/04/13 CHKD: MZIELINS 2016/04/15 APPR: JFMURPHY 2016/05/03	DESCRIPTION REV A	QUALITY SYMBOLS ▽=0 ◻=0	GENERAL TOLERANCES (UNLESS SPECIFIED)		DIMENSION STYLE INCH/MM		SCALE NTS	DESIGN UNITS INCH	THIRD ANGLE PROJECTION		
			mm	INCH	DRAWN BY	DATE	TITLE				
		4 PLACES	±---	±---	VOU	2016/04/13	EA BALANCER SERIES SPECIFICATION				
		3 PLACES	±---	±.005	CHECKED BY	DATE					
2 PLACES	±0.13	±.010	DT	2010/05/10	MOLEX INCORPORATED						
1 PLACE	±0.25	±.020	APPROVED BY	DATE							
ANGULAR ±.5°			DRAFT WHERE APPLICABLE MUST REMAIN WITHIN DIMENSIONS		MATERIAL NO. SEE CHART		DOCUMENT NO. SD-130172-003		SHEET NO. 1 OF 3		
					SIZE B		THIS DRAWING CONTAINS INFORMATION THAT IS PROPRIETARY TO MOLEX INCORPORATED AND SHOULD NOT BE USED WITHOUT WRITTEN PERMISSION				

DIMENSIONS ARE FOR REFERENCE ONLY.

10 9 8 7 6 5 4 3 2 1



ITEM	MATERIAL NUMBER	ENGINEERING NUMBER	ITEM DESCRIPTION
1	1301790642	31656-1	ASSY MAIN HSNG EA - POWDER XXXX
2	1301790072	31654	MAIN SHAFT ASSY FOR E BALANCER
3	1302264487	M27130042	SHAFT FOR E/EA MANUAL DRUM LOCK
4	1301790070	31643	SPRING FOR DRUM LOCK E/J/K/L
5	1302344676	31294	LOCK LEVER FOR E/J/K/L BALANCERS
6	1301790028	229-P-10	PIN ROLL 1/8 x 5/16 - BZP
7	1301790064	31602-1	CABLE DRUM MACHINED FOR E BALANCER
8	1301790114	827-P-5	1/8in NPTx 5/16in LG HEX SOCKET PLUG BZP
9	SEE CHART	SEE CHART	SPRING CASSETTE ASSEMBLY
10	1301792245	AG14660-1	EA CAST COVER POWDER - BLUE
11	1301790088	49677	ASSY UPPER SHACKLE FOR E BALANCERS
12	1302344681	31613	YOKE PIN FOR E BALANCER
13	SEE CHART	SEE CHART	FOR CABLE ASSEMBLY USAGE SEE CHART
14	1301840102	126-P-20	WASHER-[.41in ID]x[0.81in OD]x[.06in TK]
15	1301790026	228-P-10	PIN SPLIT 3/32 x 3/4 - BZP
16	1302344726	BG19381	SAFETY CHAIN
17	1301790003	101-P-30	1/4-SPLIT LOCK WASHER[.26ID/.50D/.06W]
18	1301790150	AG12172	M6x1.0 - 12LG HEX HEAD SCREW
19	1302280761	M13060124	LABEL; ROUND

NOTES:

- BALANCERS ARE 100% INSPECTED & PRE-TENSIONED TO MAX. WEIGHT.
- HOUSINGS ARE MADE FROM ALUMINUM CASTING.THEY ARE POWDER COATED TO MEET HARSH INDUSTRIAL ENVIRONMENTS.
- ALWAYS READ INSTRUCTIONS MANUAL BEFORE USING BALANCERS.
- BALANCERS ARE NOT TO BE USED AS RETRACTORS THEIR MAIN PURPOSE BEING TO BALANCE A LOAD AND NOT TO RETRACT ONE.
- OVERALL DIMENSIONS ARE FOR REFERENCE ONLY.
- STANDARD CATALOG BALANCERS ARE EQUIPPED WITH SAFETY CHAIN BUT IF APPLICATION REQUIRES NO SAFETY CHAIN ADD "D" SUFFIX TO STANDARD BALANCER P/N. EXAMPLE 30EAD.
- WHEN MOUNTING BALANCER, ALWAYS MAKE SURE THAT SAFETY PIN WHICH COMES WITH SHACKLE IS INSTALLED & SECURED.

RELEASE EC NO: IPG2016-1217 DRWN: VOU 2016/04/13 CHKD: MZIELINS 2016/04/15 APPR: JFMURPHY 2016/05/03	DESCRIPTION REV	QUALITY SYMBOLS ▽=0 ▽C=0	GENERAL TOLERANCES (UNLESS SPECIFIED)		DIMENSION STYLE INCH/MM		SCALE NTS	DESIGN UNITS INCH	THIRD ANGLE PROJECTION		
			mm	INCH	DRAWN BY	DATE	EA BALANCER SERIES SPECIFICATION				
		4 PLACES	±---	±---	VOU	2016/04/13					
		3 PLACES	±---	±.005	CHECKED BY	DATE	MOLEX INCORPORATED				
2 PLACES	±0.13	±.010	DT	2010/05/10							
1 PLACE	±0.25	±.020	APPROVED BY	DATE	SEE CHART		DOCUMENT NO. SD-130172-003		SHEET NO. 2 OF 3		
ANGULAR ±.5°			JFMURPHY	2016/05/03							
DRAFT WHERE APPLICABLE MUST REMAIN WITHIN DIMENSIONS			MATERIAL NO.		THIS DRAWING CONTAINS INFORMATION THAT IS PROPRIETARY TO MOLEX INCORPORATED AND SHOULD NOT BE USED WITHOUT WRITTEN PERMISSION						
A			B								

BALANCER MODEL:		WEIGHT RANGE		CABLE TRAVEL		ITEM #9:		ITEM #13:	
MATERIAL NUMBER	ENGINEERING NUMBER	LBS.	KG.	FT	M	MATERIAL NUMBER	ENG. NUMBER	MATERIAL NUMBER	ENG. NUMBER
1301720020	10EA	5.0 - 11.0	2.3 - 5.0	6.0	1.8	1301790746	41912	1301790158	AG12853
1301720103	20EA	11.0 - 20.0	5.0 - 9.0	6.0	1.8	1301790739	31659-20	1301790158	AG12853
1301720152	30EA	20.0 - 31.0	9.0 - 14.0	6.0	1.8	1301790077	31659-30	1301790158	AG12853
1301720184	40EA	29.0 - 40.0	13.0 - 18.0	6.0	1.8	1301790740	31659-40	1301790158	AG12853
1301720195	50EA	40.0 - 51.0	18.0 - 23.0	6.0	1.8	1301790078	31659-50	1301790158	AG12853
1301720207	60EA	51.0 - 62.0	23.0 - 28.0	6.0	1.8	1301790741	31659-60	1301790158	AG12853



RELEASE EC NO: IPG2016-1217 DRWN: VOU 2016/04/13 CHKD: MZIELINS 2016/04/15 APPR: JFMURPHY 2016/05/03	DESCRIPTION REV	QUALITY SYMBOLS	GENERAL TOLERANCES (UNLESS SPECIFIED)		DIMENSION STYLE		SCALE	DESIGN UNITS	THIRD ANGLE PROJECTION		
		▽=0 ∇=0	mm	INCH	INCH/MM		NTS	INCH	EA BALANCER SERIES SPECIFICATION		
		4 PLACES	±---	±---	DRAWN BY	DATE	TITLE				
		3 PLACES	±---	±.005	VOU	2016/04/13	MOLEX INCORPORATED				
		2 PLACES	±0.13	±.010	CHECKED BY	DATE					
1 PLACE	±0.25	±.020	DT	2010/05/10							
ANGULAR ±.5°			APPROVED BY		DATE	DOCUMENT NO.		SHEET NO.			
DRAFT WHERE APPLICABLE MUST REMAIN WITHIN DIMENSIONS			JFMURPHY		2016/05/03	SD-130172-003		3 OF 3			
A			MATERIAL NO.		SEE CHART		THIS DRAWING CONTAINS INFORMATION THAT IS PROPRIETARY TO MOLEX INCORPORATED AND SHOULD NOT BE USED WITHOUT WRITTEN PERMISSION				
			SIZE		B						

X-ON Electronics

Largest Supplier of Electrical and Electronic Components

Click to view similar products for [Fiber Optic Connectors](#) category:

Click to view products by [Molex](#) manufacturer:

Other Similar products are found below :

[0004700001](#) [6100-R](#) [6313](#) [F709034706](#) [F709722200](#) [F709730000](#) [F718183204](#) [F727403500](#) [F727752800](#) [FCXO-12-3BY](#) [FO-SCREW\(M2X6\)](#) [9440F20-27S-190](#) [944-120-6001](#) [944-125-6003](#) [9441F10SL-3P](#) [953-101-5310-P](#) [954-101-57202B](#) [A0270169](#) [12-9122](#) [12-5702](#) [143025NC](#) [DSAKB](#) [AX101713](#) [AX102420](#) [AX103923](#) [AX104193](#) [AX104230](#) [AX104562](#) [AX104683](#) [AX105203-B25](#) [AX105205-S1](#) [EHSC2M](#) [17-300800](#) [180-044NF06-11-2S](#) [180-044NF06-17-8P](#) [180-044NF07-11-2S](#) [181-011-126](#) [181-011-S](#) [181-057-126](#) [BT34IW](#) [HRFCP-HSCJ-1\(61\)](#) [HRFC-R2\(40\)](#) [NKSOPBUY](#) [20500002116](#) [2064996-1](#) [20800001065](#) [2170](#) [9132](#) [2612](#) [2620](#)