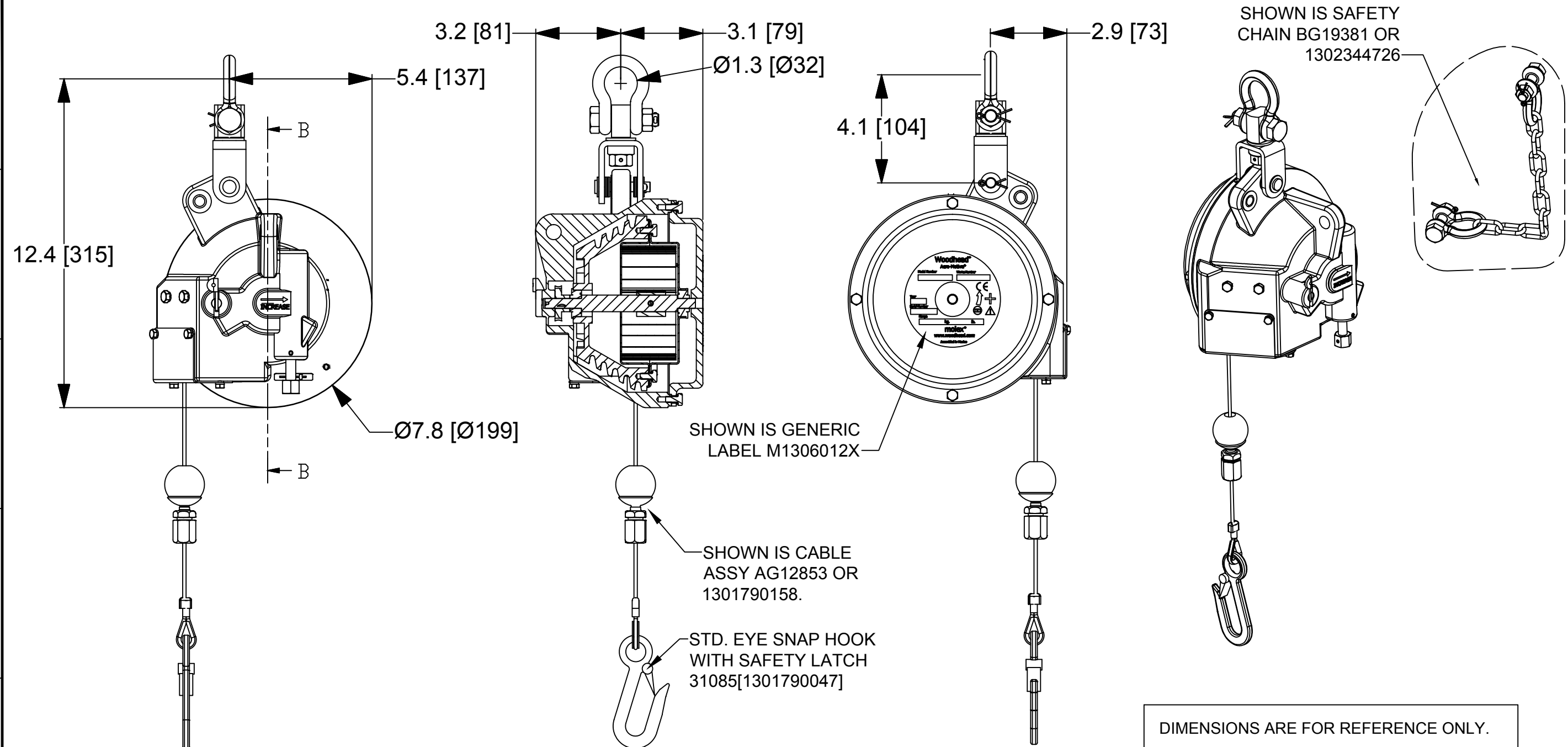
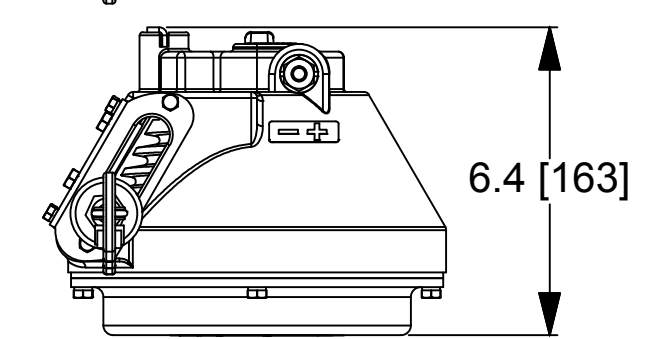


10 9 8 7 6 5 4 3 2 1

F
E
D
C
B
A



B
A

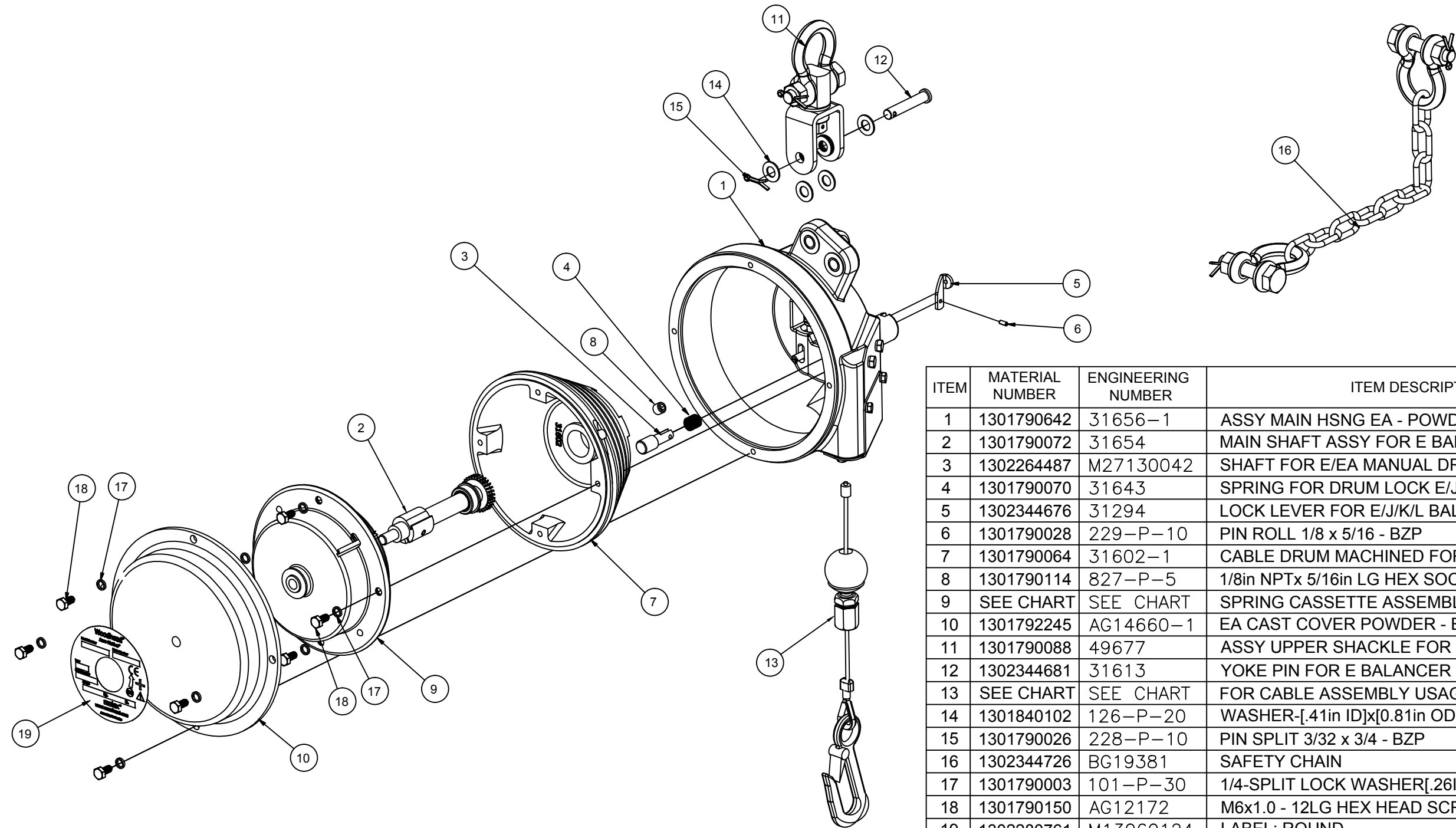


B-B

RELEASE EC NO: IPG2016-1217 DRWN: VOU 2016/04/13 CHKD: MZIELINS 2016/04/15 APPR: JFMURPHY 2016/05/03	QUALITY SYMBOLS ▽=0 ◻=0	GENERAL TOLERANCES (UNLESS SPECIFIED)		DIMENSION STYLE INCH/MM		SCALE NTS	DESIGN UNITS INCH	THIRD ANGLE PROJECTION		
		4 PLACES	±---	±---	DRAWN BY	DATE	EA BALANCER SERIES SPECIFICATION			
		3 PLACES	±---	±.005	VOU	2016/04/13				
		2 PLACES	±0.13	±.010	CHECKED BY	DATE	MOLEX INCORPORATED			
1 PLACE	±0.25	±.020	DT	2010/05/10						
		ANGULAR ±.5°		APPROVED BY	DATE	MOLEX DOCUMENT NO.		SHEET NO.		
		DRAFT WHERE APPLICABLE MUST REMAIN WITHIN DIMENSIONS		JFMURPHY	2016/05/03	SD-130172-003		1 OF 3		
A	REV			SEE CHART		THIS DRAWING CONTAINS INFORMATION THAT IS PROPRIETARY TO MOLEX INCORPORATED AND SHOULD NOT BE USED WITHOUT WRITTEN PERMISSION				

DIMENSIONS ARE FOR REFERENCE ONLY.

10 9 8 7 6 5 4 3 2 1



ITEM	MATERIAL NUMBER	ENGINEERING NUMBER	ITEM DESCRIPTION
1	1301790642	31656-1	ASSY MAIN HSNG EA - POWDER XXXX
2	1301790072	31654	MAIN SHAFT ASSY FOR E BALANCER
3	1302264487	M27130042	SHAFT FOR E/EA MANUAL DRUM LOCK
4	1301790070	31643	SPRING FOR DRUM LOCK E/J/K/L
5	1302344676	31294	LOCK LEVER FOR E/J/K/L BALANCERS
6	1301790028	229-P-10	PIN ROLL 1/8 x 5/16 - BZP
7	1301790064	31602-1	CABLE DRUM MACHINED FOR E BALANCER
8	1301790114	827-P-5	1/8in NPTx 5/16in LG HEX SOCKET PLUG BZP
9	SEE CHART	SEE CHART	SPRING CASSETTE ASSEMBLY
10	1301792245	AG14660-1	EA CAST COVER POWDER - BLUE
11	1301790088	49677	ASSY UPPER SHACKLE FOR E BALANCERS
12	1302344681	31613	YOKE PIN FOR E BALANCER
13	SEE CHART	SEE CHART	FOR CABLE ASSEMBLY USAGE SEE CHART
14	1301840102	126-P-20	WASHER-[.41in ID]x[0.81in OD]x[.06in TK]
15	1301790026	228-P-10	PIN SPLIT 3/32 x 3/4 - BZP
16	1302344726	BG19381	SAFETY CHAIN
17	1301790003	101-P-30	1/4-SPLIT LOCK WASHER[.26ID/.50D/.06W]
18	1301790150	AG12172	M6x1.0 - 12LG HEX HEAD SCREW
19	1302280761	M13060124	LABEL; ROUND

NOTES:

1. BALANCERS ARE 100% INSPECTED & PRE-TENSIONED TO MAX. WEIGHT.
2. HOUSINGS ARE MADE FROM ALUMINUM CASTING.THEY ARE POWDER COATED TO MEET HARSH INDUSTRIAL ENVIRONMENTS.
3. ALWAYS READ INSTRUCTIONS MANUAL BEFORE USING BALANCERS.
4. BALANCERS ARE NOT TO BE USED AS RETRACTORS THEIR MAIN PURPOSE BEING TO BALANCE A LOAD AND NOT TO RETRACT ONE.
5. OVERALL DIMENSIONS ARE FOR REFERENCE ONLY.
6. STANDARD CATALOG BALANCERS ARE EQUIPPED WITH SAFETY CHAIN BUT IF APPLICATION REQUIRES NO SAFETY CHAIN ADD "D" SUFFIX TO STANDARD BALANCER P/N. EXAMPLE 30EAD.
7. WHEN MOUNTING BALANCER, ALWAYS MAKE SURE THAT SAFETY PIN WHICH COMES WITH SHACKLE IS INSTALLED & SECURED.

RELEASE EC NO: IPG2016-1217 DRWN: VOU 2016/04/13 CHKD: MZIELINS 2016/04/15 APPR: JFMURPHY 2016/05/03	DESCRIPTION REV	QUALITY SYMBOLS ▽=0 ▽C=0	GENERAL TOLERANCES (UNLESS SPECIFIED)		DIMENSION STYLE INCH/MM		SCALE NTS	DESIGN UNITS INCH	THIRD ANGLE PROJECTION		
			mm	INCH	DRAWN BY	DATE	EA BALANCER SERIES SPECIFICATION				
		4 PLACES	±---	±---	VOU	2016/04/13					
		3 PLACES	±---	±.005	CHECKED BY	DATE	MOLEX INCORPORATED				
2 PLACES	±0.13	±.010	DT	2010/05/10							
1 PLACE	±0.25	±.020	APPROVED BY	DATE	SEE CHART		DOCUMENT NO. SD-130172-003		SHEET NO. 2 OF 3		
ANGULAR ±.5°			JFMURPHY	2016/05/03							
DRAFT WHERE APPLICABLE MUST REMAIN WITHIN DIMENSIONS			MATERIAL NO.		THIS DRAWING CONTAINS INFORMATION THAT IS PROPRIETARY TO MOLEX INCORPORATED AND SHOULD NOT BE USED WITHOUT WRITTEN PERMISSION						
A			B								

F

E

D

C

B

A

BALANCER MODEL:		WEIGHT RANGE		CABLE TRAVEL		ITEM #9:		ITEM #13:	
MATERIAL NUMBER	ENGINEERING NUMBER	LBS.	KG.	FT	M	MATERIAL NUMBER	ENG. NUMBER	MATERIAL NUMBER	ENG. NUMBER
1301720020	10EA	5.0 - 11.0	2.3 - 5.0	6.0	1.8	1301790746	41912	1301790158	AG12853
1301720103	20EA	11.0 - 20.0	5.0 - 9.0	6.0	1.8	1301790739	31659-20	1301790158	AG12853
1301720152	30EA	20.0 - 31.0	9.0 - 14.0	6.0	1.8	1301790077	31659-30	1301790158	AG12853
1301720184	40EA	29.0 - 40.0	13.0 - 18.0	6.0	1.8	1301790740	31659-40	1301790158	AG12853
1301720195	50EA	40.0 - 51.0	18.0 - 23.0	6.0	1.8	1301790078	31659-50	1301790158	AG12853
1301720207	60EA	51.0 - 62.0	23.0 - 28.0	6.0	1.8	1301790741	31659-60	1301790158	AG12853

RELEASE EC NO: IPG2016-1217 DRWN: VOU 2016/04/13 CHKD: MZIELINS 2016/04/15 APPR: JFMURPHY 2016/05/03	DESCRIPTION REV	QUALITY SYMBOLS	GENERAL TOLERANCES (UNLESS SPECIFIED)		DIMENSION STYLE		SCALE	DESIGN UNITS	THIRD ANGLE PROJECTION	
		▽=0 ▽C=0	mm INCH 4 PLACES ±--- ±--- 3 PLACES ±--- ±.005 2 PLACES ±0.13 ±.010 1 PLACE ±0.25 ±.020 ANGULAR ±.5°	INCH/MM DRAWN BY DATE VOU 2016/04/13 CHECKED BY DATE DT 2010/05/10 APPROVED BY DATE JFMURPHY 2016/05/03	NTS TITLE EA BALANCER SERIES SPECIFICATION ---- MOLEX INCORPORATED	DOCUMENT NO. SHEET NO. SD-130172-003 3 OF 3				
		DRAFT WHERE APPLICABLE MUST REMAIN WITHIN DIMENSIONS		SEE CHART		THIS DRAWING CONTAINS INFORMATION THAT IS PROPRIETARY TO MOLEX INCORPORATED AND SHOULD NOT BE USED WITHOUT WRITTEN PERMISSION				
		A		B						

X-ON Electronics

Largest Supplier of Electrical and Electronic Components

Click to view similar products for [Cable Mounting & Accessories](#) category:

Click to view products by [Molex](#) manufacturer:

Other Similar products are found below :

[HP-4N](#) [582603-1](#) [009333-000](#) [727844N003](#) [809090N001](#) [8109](#) [843188-000](#) [843459N001](#) [843460N003](#) [8666](#) [967279N002](#) [GPQC1/0](#) [DB-11](#) [1300830208](#) [1300840039](#) [1300900026](#) [1300990052](#) [1301740005](#) [1301800121](#) [1301800416](#) [1300830184](#) [1300990149](#) [1301580036](#) [1301720103](#) [1301720135](#) [1301720152](#) [1301720157](#) [1301740009](#) [1301770011](#) [1301850553](#) [1301860939](#) [1302000074](#) [1302264431](#) [1337706-2](#) [APA18-AK](#) [MTX6UTPSRC-C](#) [1-787307-1](#) [185491N001](#) [HP-6N](#) [C-202-C](#) [202C221-13-0](#) [OMTM-S10-C0](#) [205339-4](#) [CA7308-000](#) [8S23-75FR-CS8184](#) [2684](#) [9648](#) [3089](#) [988382-000](#) [A0270164](#)