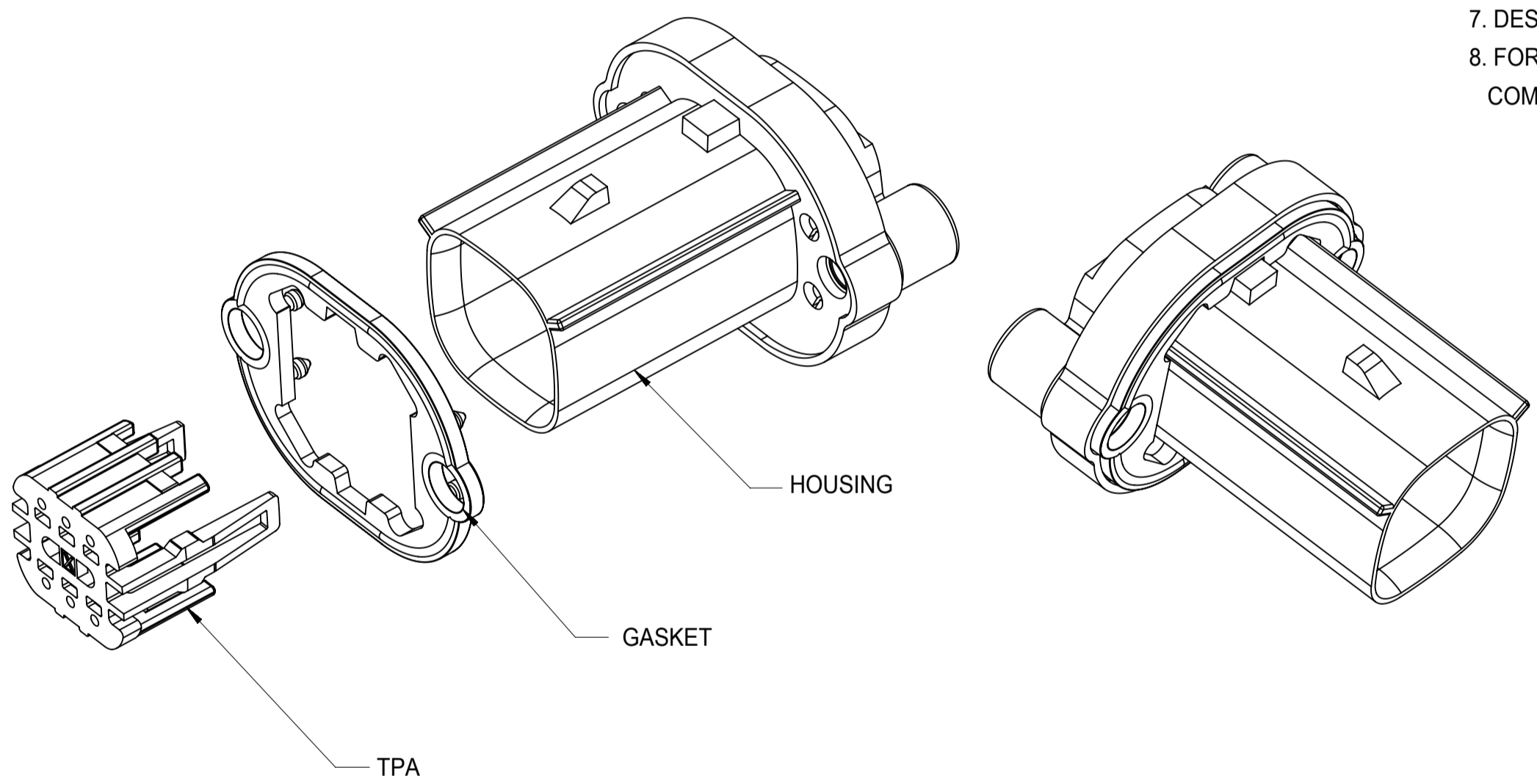


TABLE OF CONTENTS	
SHEET 1	NOTES, ISO VIEW
SHEET 2	BOM, POLARIZATION
SHEET 3	DETAIL VIEWS AND SECTIONS

NOTES: VALID UNLESS OTHERWISE SPECIFIED

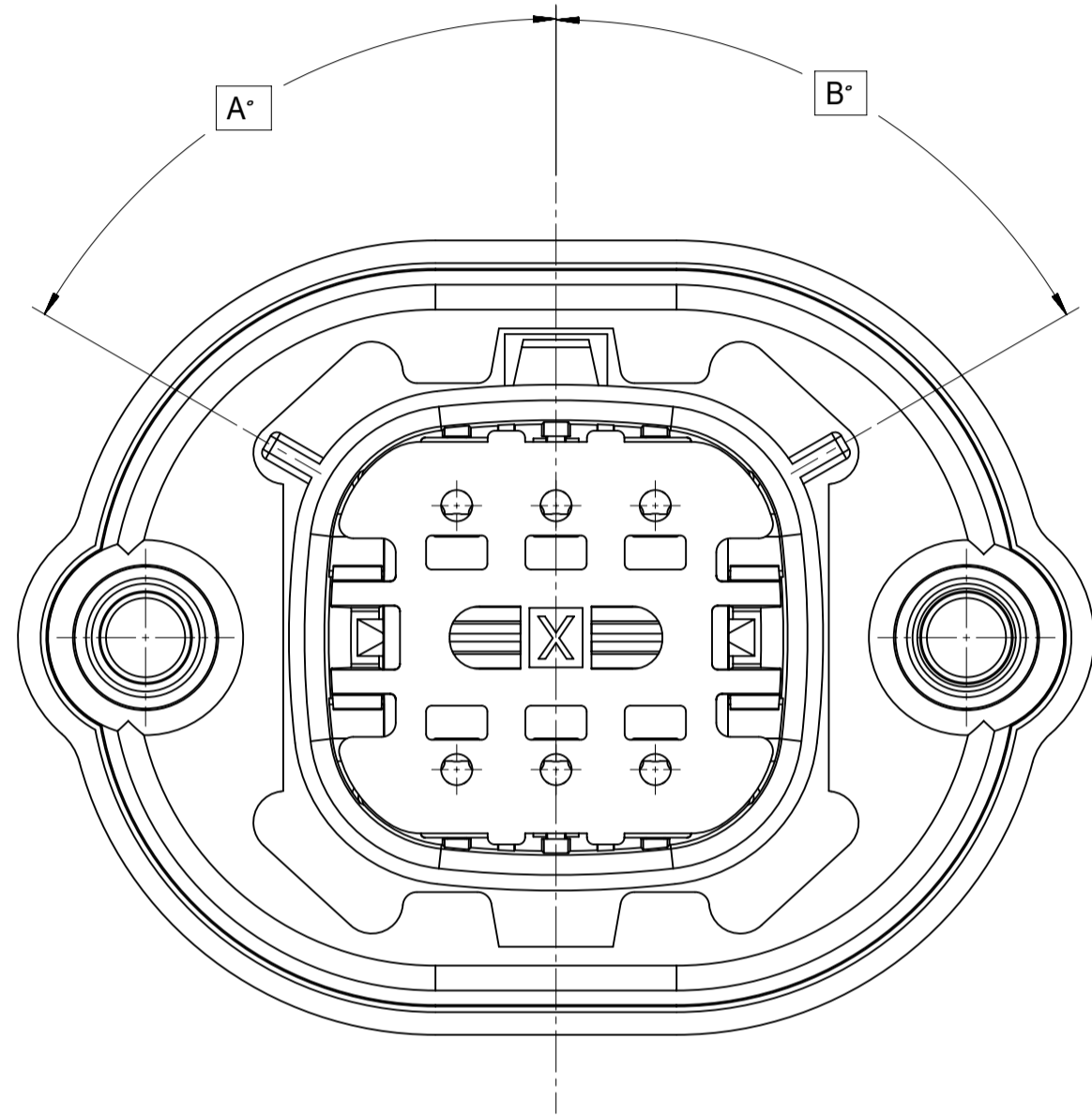
- APPLICATION SPECIFICATION SEE: 1480280001-AS
- PRODUCT SPECIFICATION SEE: 1480280001-PS
- PACKAGING SPECIFICATION PER MOLEX DRAWING: PK-148028-0001
- PARTS MUST BE IN COMPLIANCE TO MOLEX CHEMICAL SUBSTANCES FOR PRODUCTS AND PACKAGING SPECIFICATION: ES-40000-5016
- MATERIAL:
 - HOUSING: PA6, 40% GLASS FILLED
 - TPA: SPS/NYLON BLEND, 20% GLASS FILLED
 - GASKET: SILICONE
- SHIPPED PART WITH GASKET AND TPA IN PRE-LOCK POSITION
- DESIGNED TO MATE WITH MX150 RECEPTACLE CONNECTOR ASSEMBLY
- FOR ESSENTIAL PARTS (TERMINALS, WIRES ETC.) AND INSTALLATION TO COMPLETE ASSEMBLY SEE MOLEX PRODUCT SPECIFICATION PS-33472-000



D3	UPDATE AS DRAWING NUMBER FROM AS-148028-001 TO 1480280001-AS IN NOTES 1 UPDATE PS DRAWING NUMBER FROM PS-148028-001 TO 1480280001-PS IN NOTES 2
D2	UPDATE STATUS TO SALEABLE FOR BELOW P/N 1480286001 1480286002 1480286003 1480286004
D1	UPDATE STATUS TO OK TO TOOL FOR BELOW P/N 1480288001 1480288002 1480288003 1480288004
D	ADDED PART NUMBERS: 148028-6001 TO 148028-6004 148028-8001 TO 148028-8004
C	RESIN CHANGED TO PA6 GF40 FROM PBT GF15
B	UPDATE 2X3 POL A TO TOOLED UPDATE OTHER PARTS STATUS TO OK TO TOOL UPDATE POL D COLOR TO STONE GRAY
A	INITIAL RELEASE
REV	DESCRIPTION

INSPECTION BALLOON NUMBER LOG	
PER DRAWING REVISION:	D3
LAST BALLOON NUMBER USED:	5
ADDED BALLOON NUMBERS:	NONE
REMOVED BALLOON NUMBERS:	NONE

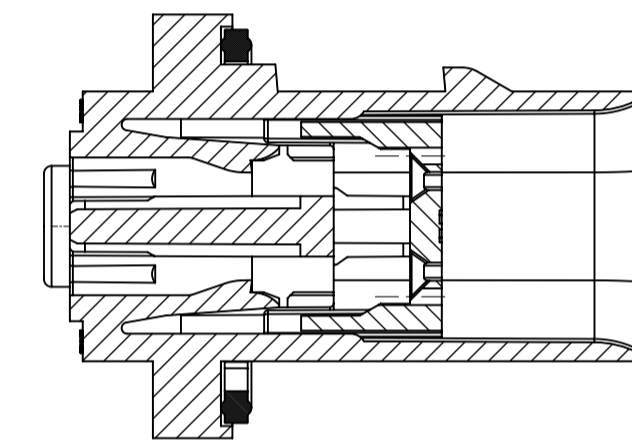
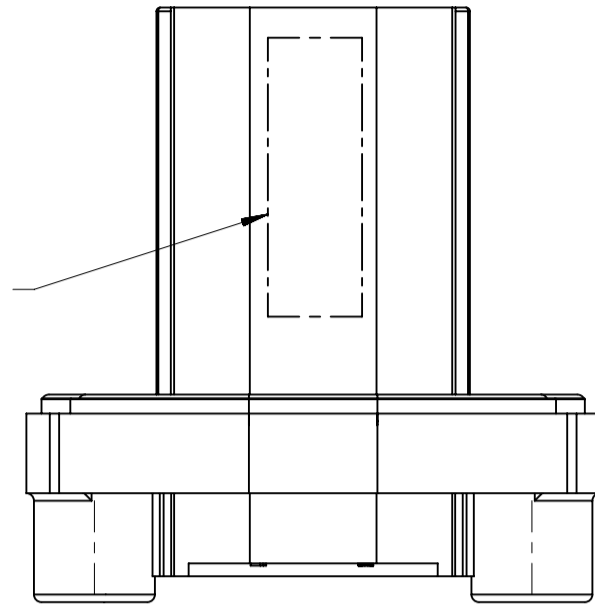
QUALITY SYMBOLS	THIS DRAWING CONTAINS INFORMATION THAT IS PROPRIETARY TO MOLEX ELECTRONIC TECHNOLOGIES, LLC AND SHOULD NOT BE USED WITHOUT WRITTEN PERMISSION																								
	EC NO: 601209 DRWN: WKHE CHK'D: JDENG02 REV / APPR: JDENG02	2018/07/10 2018/07/19 2018/07/19	GENERAL TOLERANCES (UNLESS SPECIFIED) ANGULAR TOL ±	DIMENSION UNITS: mm SCALE: 1:1 DRWN BY: CDZHANG DATE: 2014/06/23 CHK'D BY: JDENG02 DATE: 2014/12/19 APPR BY: CBQIU DATE: 2015/03/30																					
▽ = 0 ▽ = 0 ▽ = 0 ▼ = 0 ▽ = 0 ⊠ = 0 ■ = 0 ▽ = 0	4 PLACES ± 3 PLACES ± 2 PLACES ± 1 PLACE ± 0 PLACES ±	DRAFT WHERE APPLICABLE MUST REMAIN WITHIN DIMENSIONS	DRAWING SIZE: A2 THIRD ANGLE PROJECTION	<table border="1"> <tr> <td colspan="3"> molex[®] </td> </tr> <tr> <td colspan="3"> MX150 DUAL ROW PANEL MOUNT CONNECTOR </td> </tr> <tr> <td colspan="3"> PRODUCT CUSTOMER DRAWING </td> </tr> <tr> <td>SERIES</td> <td>MATERIAL NUMBER</td> <td>CUSTOMER</td> </tr> <tr> <td>148028</td> <td>ON SHEET 2</td> <td>GENERAL MARKET</td> </tr> <tr> <td>DOCUMENT NUMBER</td> <td>DOC TYPE</td> <td>DOC PART SHEET NUMBER</td> </tr> <tr> <td>SD-148028-001</td> <td>PSD</td> <td>001 1 OF 3</td> </tr> </table>	molex [®]			MX150 DUAL ROW PANEL MOUNT CONNECTOR			PRODUCT CUSTOMER DRAWING			SERIES	MATERIAL NUMBER	CUSTOMER	148028	ON SHEET 2	GENERAL MARKET	DOCUMENT NUMBER	DOC TYPE	DOC PART SHEET NUMBER	SD-148028-001	PSD	001 1 OF 3
molex [®]																									
MX150 DUAL ROW PANEL MOUNT CONNECTOR																									
PRODUCT CUSTOMER DRAWING																									
SERIES	MATERIAL NUMBER	CUSTOMER																							
148028	ON SHEET 2	GENERAL MARKET																							
DOCUMENT NUMBER	DOC TYPE	DOC PART SHEET NUMBER																							
SD-148028-001	PSD	001 1 OF 3																							



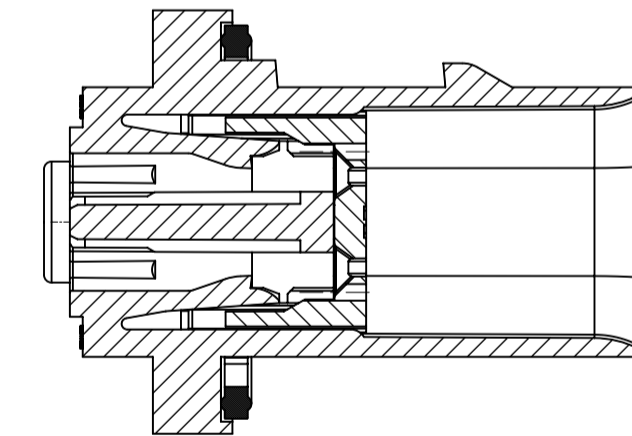
CIRCUIT SIZE	PART NUMBER	KEYING OPTION	COLOR	DIMENSIONS		STATUS
				A	B	
2X3	1480280601	A	BLACK	60	60	PLANNED OBSOLESCENCE
	1480280602	B	LIGHT GRAY	25	60	PLANNED OBSOLESCENCE
	1480280603	C	DARK GRAY	60	25	PLANNED OBSOLESCENCE
	1480280604	D	STONE GRAY	25	25	PLANNED OBSOLESCENCE
	1480286001	A	BLACK	60	60	SALEABLE
	1480286002	B	LIGHT GRAY	25	60	SALEABLE
	1480286003	C	DARK GRAY	60	25	SALEABLE
	1480286004	D	STONE GRAY	25	25	SALEABLE
2X4	1480280801	A	BLACK	60	60	PLANNED OBSOLESCENCE
	1480280802	B	LIGHT GRAY	25	60	PLANNED OBSOLESCENCE
	1480280803	C	DARK GRAY	60	25	PLANNED OBSOLESCENCE
	1480280804	D	STONE GRAY	25	25	PLANNED OBSOLESCENCE
	1480288001	A	BLACK	60	60	OK TO TOOL
	1480288002	B	LIGHT GRAY	25	60	OK TO TOOL
	1480288003	C	DARK GRAY	60	25	OK TO TOOL
	1480288004	D	STONE GRAY	25	25	OK TO TOOL

QUALITY SYMBOLS ▽ = 0 ▽ = 0 ▽ = 0 ▼ = 0 ▽ = 0 ⊠ = 0 ■ = 0 ▽ = 0	THIS DRAWING CONTAINS INFORMATION THAT IS PROPRIETARY TO MOLEX ELECTRONIC TECHNOLOGIES, LLC AND SHOULD NOT BE USED WITHOUT WRITTEN PERMISSION				GENERAL TOLERANCES (UNLESS SPECIFIED) ANGULAR TOL ± 4 PLACES ± 3 PLACES ± 2 PLACES ± 1 PLACE ± 0 PLACES ± DRAFT WHERE APPLICABLE MUST REMAIN WITHIN DIMENSIONS	DIMENSION UNITS: mm SCALE: 1:1 DRWN BY: CDZHANG DATE: 2014/06/23 CHK'D BY: JDENG02 DATE: 2014/12/19 APPR BY: CBQIU DATE: 2015/03/30 DRAWING SIZE: A2 THIRD ANGLE PROJECTION			
	MX150 DUAL ROW PANEL MOUNT CONNECTOR								
	PRODUCT CUSTOMER DRAWING								
	EC NO: 601209 DRWN: WKHE CHK'D: JDENG02 REV / APPR: JDENG02	2018/07/10 2018/07/19	2018/07/19 2018/07/19	SERIES: 148028 MATERIAL NUMBER: ON SHEET 2 CUSTOMER: GENERAL MARKET			DOCUMENT NUMBER: SD-148028-001 DOC TYPE: PSD DOC PART: 001 SHEET NUMBER: 2 OF 3		

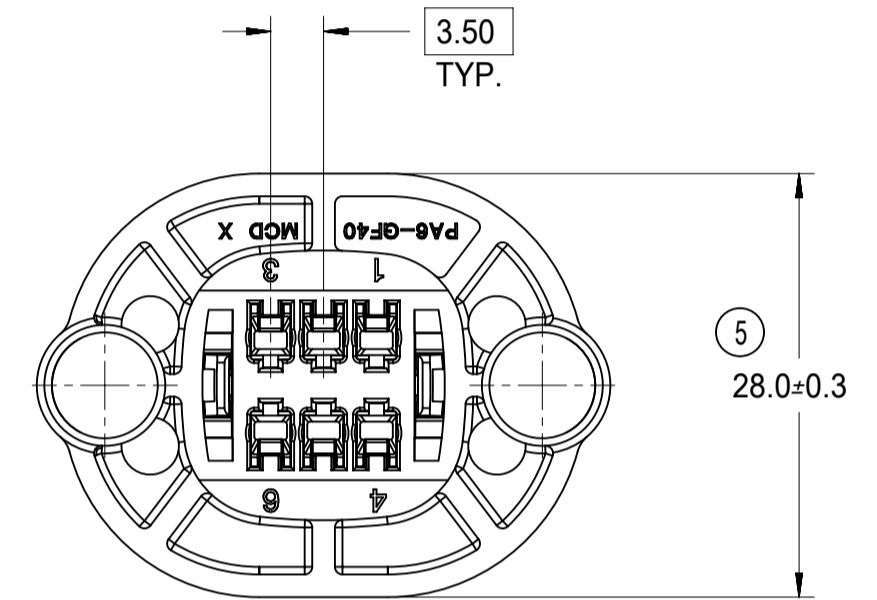
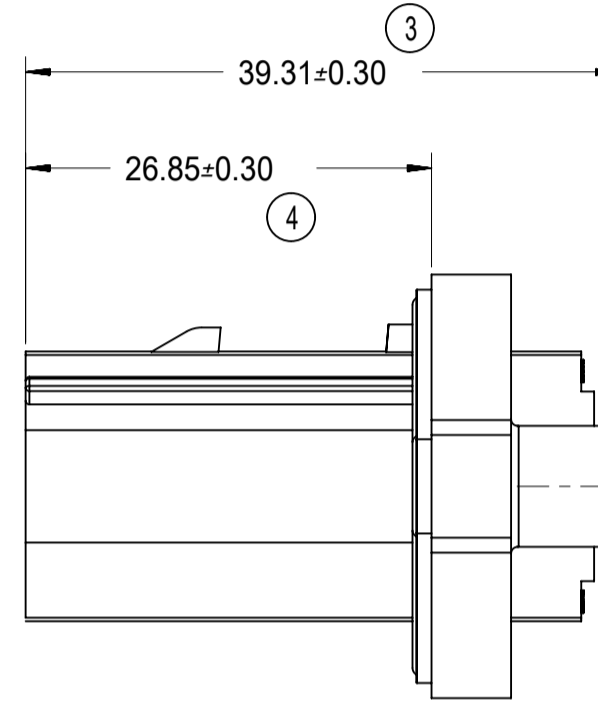
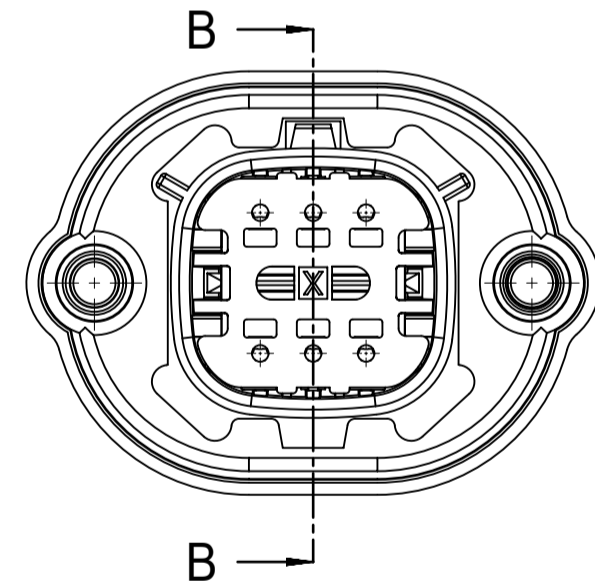
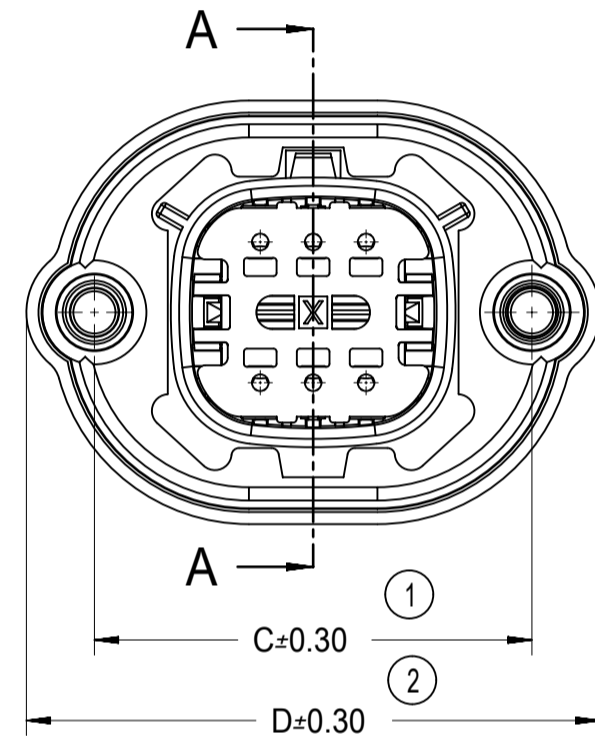
TRACEABILITY INFORMATION
LOCATION IN THIS AREA



SECTION A-A
(TPA SHOWN IN PRE-LOCK POSITION
FOR REFERENCE ONLY)



SECTION B-B
(TPA SHOWN IN FINAL-LOCK POSITION
FOR REFERENCE ONLY)



CIRCUIT SIZE	DIMENSION	
	C	D
2X3	28.94	37.94
2X4	32.44	41.44

QUALITY SYMBOLS 	THIS DRAWING CONTAINS INFORMATION THAT IS PROPRIETARY TO MOLEX ELECTRONIC TECHNOLOGIES, LLC AND SHOULD NOT BE USED WITHOUT WRITTEN PERMISSION									
	EC NO: 601209 DRWN: WKHE CHK'D: JDENG02 REV / APPR: JDENG02	2018/07/10 2018/07/19 2018/07/19	GENERAL TOLERANCES (UNLESS SPECIFIED)		DIMENSION UNITS	SCALE				
			ANGULAR TOL ±		mm	1:1				
			4 PLACES ±	3 PLACES ±	CDZHANG	DATE				
	2 PLACES ±	1 PLACE ±	JDENG02	DATE	2014/12/19	PRODUCT CUSTOMER DRAWING				
	0 PLACES ±	DRAFT WHERE APPLICABLE MUST REMAIN WITHIN DIMENSIONS		DRAWING SIZE	THIRD ANGLE PROJECTION					SERIES
	D3	A2	A2	A2	A2	148028	ON SHEET 2	GENERAL MARKET		
	DOCUMENT NUMBER		DOC TYPE	DOC PART	SHEET NUMBER					
	SD-148028-001		PSD	001	3 OF 3					

X-ON Electronics

Largest Supplier of Electrical and Electronic Components

Click to view similar products for [Automotive Connectors](#) category:

Click to view products by [Molex](#) manufacturer:

Other Similar products are found below :

[003-018-000](#) [60403001](#) [60993906-B](#) [M902-2131](#) [M902-2161](#) [72.330.1035.1](#) [73.353.4028.0](#) [F119300-B](#) [F166900](#) [F258300-B](#) [F358300-B](#)
[F407400](#) [F444110](#) [F487000](#) [F509500B-B](#) [827153-1](#) [8N1515-32-24P](#) [9-1326729-8](#) [925474-1](#) [928905-1](#) [964562-4](#) [968782-1](#) [GT17SA-8DS-](#)
[HU](#) [98891-1012](#) [98947-1016](#) [12004475-L](#) [12010290](#) [12010309-B](#) [12015454](#) [12020219-B](#) [12020308](#) [12041318-B](#) [12052225-L](#) [12052466](#)
[12059125](#) [12064869](#) [12004327-B](#) [12010503-B](#) [12015308](#) [12015384](#) [12015909](#) [1-21030-1](#) [12041254](#) [12041318](#) [12047946-B](#) [12047957](#)
[12047957-L](#) [12059473](#) [12066261](#) [12110546](#)