

NOTES:

- MATERIALS: HOUSING - LIQUID CRYSTAL POLYMER (LCP)  
GLASS-FILLED, UL94V-0  
TERMINALS - HIGH PERFORMANCE COPPER ALLOY
- FINISH: 30 MNCH MIN GOLD IN CONTACT AREA.  
SELECTIVE MATTE TIN ON PCB TAILS, NICKEL OVERALL.
- REFER TO MOLEX PRODUCT SPECIFICATION PS-76060-999 FOR PERFORMANCE SPECIFICATIONS AND ADDITIONAL PCB INFORMATION.
- EACH SIGNAL WAFER CONTAINS 2 COLUMNS OF TERMINALS.
- SEE CHART FOR PACKAGING SPECIFICATIONS.
- THIS PART CONFORMS TO CLASS B REQUIREMENTS OF COSMETIC SPEC PS-45499-002.
- REFER TO MOLEX SALES DRAWING SD-170335-0002 FOR THE MATING HEADERS
- REFER TO MOLEX ROUTING PCB ROUTING GUIDE AS-76060-990 FOR ANTI PAD AND ROUTING RECOMMENDATIONS.
- GROUND PATHS ARE NOT DISCRETE WITHIN CONNECTOR DUE TO PRESENCE OF PLUS CLIP.
- PART NUMBER 170390-3130 SHOWN ON DRAWING. KEYING FEATURES WILL CHANGE WITH COLUMN SIZE.
- FOR SCREW PART NUMBER AND FUNCTIONAL BOARD THICKNESS REFER TO CHART ON SHEET 2. IN ORDER TO ACCOMMODATE ALTERNATE BOARD THICKNESSES PLEASE CONTACT MOLEX.
- MARKING: LOCATED APPROXIMATELY AS SHOWN, PART NUMBER AND DATE CODE.

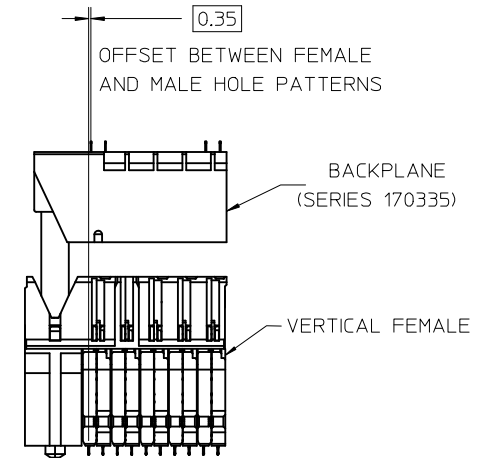
|   |                                      |                                       |       |                            |                          |   |                                |                                |                     |
|---|--------------------------------------|---------------------------------------|-------|----------------------------|--------------------------|---|--------------------------------|--------------------------------|---------------------|
| ADD LASER MARK INFO<br>EC NO: UCP2016-3973<br>DRAWING: VARVARA 2015/07/29<br>CHKD: TELO 2016/02/22<br>APPR: TELO 2016/04/20 | QUALITY SYMBOLS<br>▽=0<br>▽=0<br>▽=0 | GENERAL TOLERANCES (UNLESS SPECIFIED) |       | DIMENSION STYLE<br>MM ONLY |                          | SCALE<br>3:1  | DESIGN UNITS<br>METRIC         | THIRD ANGLE PROJECTION         |                     |
|   |                                      | mm                                    | INCH  | DRAWN BY<br>J JONIAK       | DATE<br>2011/01/20       | TITLE<br>IMPACT 4-PAIR 85-OHM<br>LEFT GUIDE MEZZANINE<br>SALES DRAWING  |                                | MATERIAL NO.<br>SD-170390-0002 |                     |
| REV<br>B2   | DESCRIPTION                          | 4 PLACES                              | ± --- | ± ---                      | CHECKED BY<br>J B INGHAM | DATE<br>2013/04/03  | MOLEX INCORPORATED             |                                | SHEET NO.<br>1 OF 2 |
|   |                                      | 3 PLACES                              | ± --- | ± ---                      | APPROVED BY<br>J LAURX   | DATE<br>2013/04/05  | DOCUMENT NO.<br>SD-170390-0002 |                                |                     |
| DRAFT WHERE APPLICABLE<br>MUST REMAIN<br>WITHIN DIMENSIONS  |                                      | ANGULAR ±1/2°                         |       | SEE CHART                  |                          | THIS DRAWING CONTAINS INFORMATION THAT IS PROPRIETARY TO MOLEX INCORPORATED AND SHOULD NOT BE USED WITHOUT WRITTEN PERMISSION |                                |                                |                     |

PART NUMBER CHART

| MATERIAL NUMBER | # OF COLUMNS | # OF DIFF PAIRS | DIM "A" MAX | DIM "B" | DIM "C" | DIM "D" | PACKAGING SPEC | SCREW P/N  | FUNCTIONAL BOARD THICKNESS | HEIGHT (DIM H) |
|-----------------|--------------|-----------------|-------------|---------|---------|---------|----------------|------------|----------------------------|----------------|
| 170390-3*08     | 8            | 32              | 22.8        | 13.3    | 15.36   | 19.41   | PK-70873-4001  | 73726-0005 | 2.0mm TO 3.0mm             | 18mm STACK     |
| 170390-3*00     | 10           | 40              | 26.6        | 17.1    |         |         |                |            |                            |                |
| 170390-3*02     | 12           | 48              | 30.4        | 20.9    |         |         |                |            |                            |                |
| 170390-3*07     | 14           | 56              | 34.2        | 24.7    |         |         |                |            |                            |                |
| 170390-3*06     | 16           | 64              | 38.0        | 28.5    |         |         |                |            |                            |                |
| 170390-3*09     | 18           | 72              | 41.8        | 32.3    |         |         |                |            |                            |                |

| MATERIAL NUMBER | # OF COLUMNS | # OF DIFF PAIRS | DIM "A" MAX | DIM "B" | DIM "C" | DIM "D" | PACKAGING SPEC | SCREW P/N  | FUNCTIONAL BOARD THICKNESS | HEIGHT (DIM H) |
|-----------------|--------------|-----------------|-------------|---------|---------|---------|----------------|------------|----------------------------|----------------|
| 170390-3*28     | 8            | 32              | 22.8        | 13.3    | 22.36   | 19.41   | PK-70873-4002  | 73726-0000 | 1.0mm TO 5.0mm             | 25mm STACK     |
| 170390-3*20     | 10           | 40              | 26.6        | 17.1    |         |         |                |            |                            |                |
| 170390-3*22     | 12           | 48              | 30.4        | 20.9    |         |         |                |            |                            |                |
| 170390-3*27     | 14           | 56              | 34.2        | 24.7    |         |         |                |            |                            |                |
| 170390-3*26     | 16           | 64              | 38.0        | 28.5    |         |         |                |            |                            |                |
| 170390-3*29     | 18           | 72              | 41.8        | 32.3    |         |         |                |            |                            |                |

| MATERIAL NUMBER | # OF COLUMNS | # OF DIFF PAIRS | DIM "A" MAX | DIM "B" | DIM "C" | DIM "D" | PACKAGING SPEC | SCREW P/N  | FUNCTIONAL BOARD THICKNESS | HEIGHT (DIM H) |
|-----------------|--------------|-----------------|-------------|---------|---------|---------|----------------|------------|----------------------------|----------------|
| 170390-3*38     | 8            | 32              | 22.8        | 13.3    | 34.36   | 20.65   | PK-70873-0044  | 73726-0000 | 1.0mm TO 5.0mm             | 37mm STACK     |
| 170390-3*30     | 10           | 40              | 26.6        | 17.1    |         |         |                |            |                            |                |
| 170390-3*32     | 12           | 48              | 30.4        | 20.9    |         |         |                |            |                            |                |
| 170390-3*37     | 14           | 56              | 34.2        | 24.7    |         |         |                |            |                            |                |
| 170390-3*36     | 16           | 64              | 38.0        | 28.5    |         |         |                |            |                            |                |
| 170390-3*39     | 18           | 72              | 41.8        | 32.3    |         |         |                |            |                            |                |



PART NUMBER LOGIC

170390-\*\*\*\*

MODULE AND TAIL PLATING TYPE  
3 = GUIDE LEFT, MATTE TIN

KEY ORIENTATION

0 = NO KEY

- 1 = A
- 2 = B
- 3 = C
- 4 = D
- 5 = E
- 6 = F
- 7 = G
- 8 = H

# OF COLUMNS

- 8 = 8 COL
- 0 = 10 COL
- 2 = 12 COL
- 7 = 14 COL
- 6 = 16 COL
- 9 = 18 COL

STACK HEIGHT (H)

- 0 = 18mm
- 2 = 25mm
- 3 = 37mm

|   |  |  |  |  |  |                           |                                |                     |
|---|--|--|--|--|--|---------------------------|--------------------------------|---------------------|
| SEE SHEET 1<br>EC NO: UCP2016-3973<br>DRAWN: VARVARA 2015/07/29<br>CHKD: TELO 2016/02/22<br>APPR: TELO 2016/04/20 | QUALITY SYMBOLS<br>▽=0<br>▽=0<br>▽=0                 | GENERAL TOLERANCES (UNLESS SPECIFIED)<br>mm      INCH<br>4 PLACES ± --- ± ---<br>3 PLACES ± --- ± ---<br>2 PLACES ± 0.13 ± ---<br>1 PLACE ± 0.25 ± ---<br>ANGULAR ± 1/2° | DIMENSION STYLE<br>MM ONLY<br>DRAWN BY DATE<br>JJONI AK 2011/01/20<br>CHECKED BY DATE<br>JB INGHAM 2013/04/03<br>APPROVED BY DATE<br>JLAURX 2013/04/05 | SCALE<br>2:1<br>DESIGN UNITS<br>METRIC<br>THIRD ANGLE PROJECTION | TITLE<br>IMPACT 4-PAIR 85-OHM<br>LEFT GUIDE MEZZANINE<br>SALES DRAWING | MATERIAL NO.<br>SEE CHART | DOCUMENT NO.<br>SD-170390-0002 | SHEET NO.<br>2 OF 2 |
|   | DRAFT WHERE APPLICABLE MUST REMAIN WITHIN DIMENSIONS |  | SIZE<br>THIS DRAWING CONTAINS INFORMATION THAT IS PROPRIETARY TO MOLEX INCORPORATED AND SHOULD NOT BE USED WITHOUT WRITTEN PERMISSION                  | MOLEX INCORPORATED   |  |                           |                                |                     |

## X-ON Electronics

Largest Supplier of Electrical and Electronic Components

*Click to view similar products for [High Speed/Modular Connectors](#) category:*

*Click to view products by [Molex](#) manufacturer:*

Other Similar products are found below :

[650827-1](#) [74040-1346](#) [1410191-1](#) [1410337-1](#) [1410368-3](#) [1410964-2](#) [1410326-3](#) [1410367-3](#) [1410971-4](#) [1467833-1](#) [2000877-1](#) [2000878-1](#)  
[2041314-1](#) [2065387-1](#) [2187307-1](#) [163P](#) [1934290-1](#) [2000875-1](#) [2065917-1](#) [2102736-2](#) [FSR-40](#) [2169868-2](#) [22354-8](#) [437-5040-000](#) [5-](#)  
[1393565-0](#) [039-0246-000](#) [0740618502](#) [0761601016](#) [0784461022](#) [10123159-12ELF](#) [030-2415-003/100 PK](#) [030-7380-004](#) [030-2494-001](#)  
[532939-1](#) [5532901-3](#) [3-1469268-7](#) [74748-102LF](#) [73670-0247](#) [10041743-101LF](#) [10066670-100002LF](#) [1-533915-1](#) [249-4515-000](#) [7-1469373-](#)  
[3](#) [DL2-2J/S](#) [2000713-8](#) [2000713-7](#) [10124313-101LF](#) [3011-21](#) [757105208](#) [EBTF-4-10-2.0-S-RA-1](#)