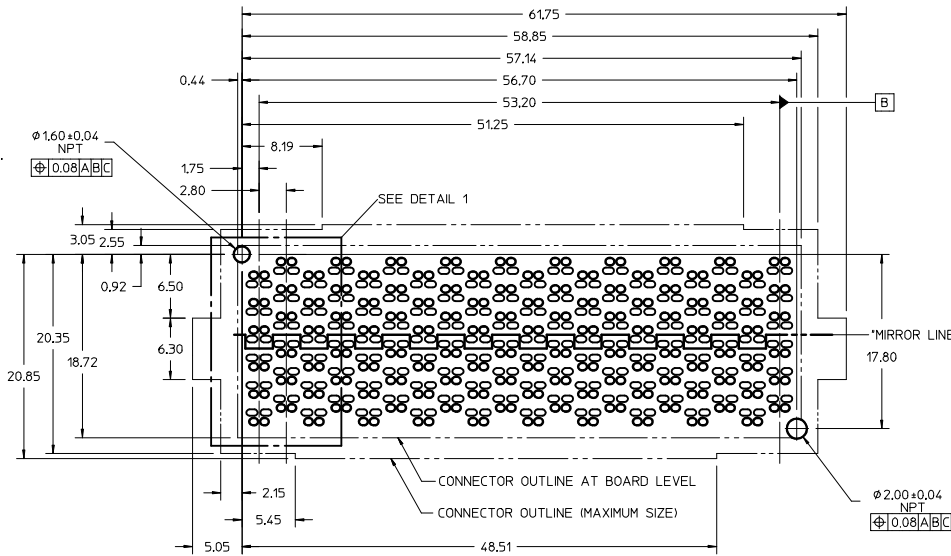
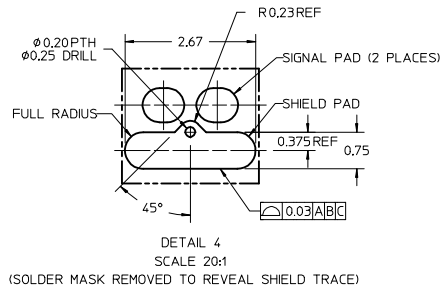
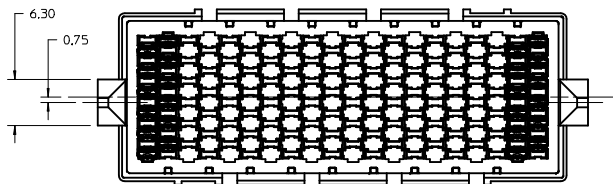
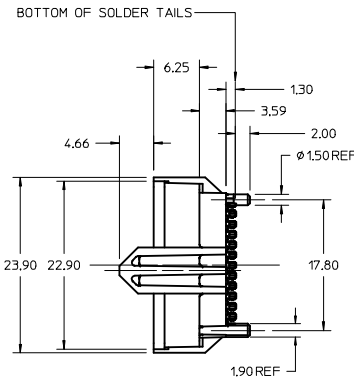
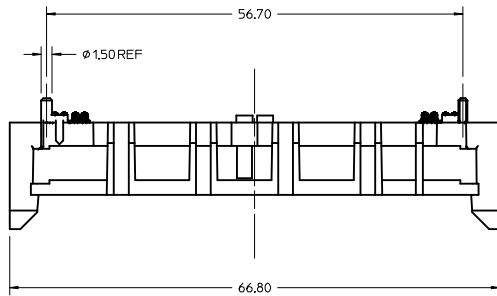
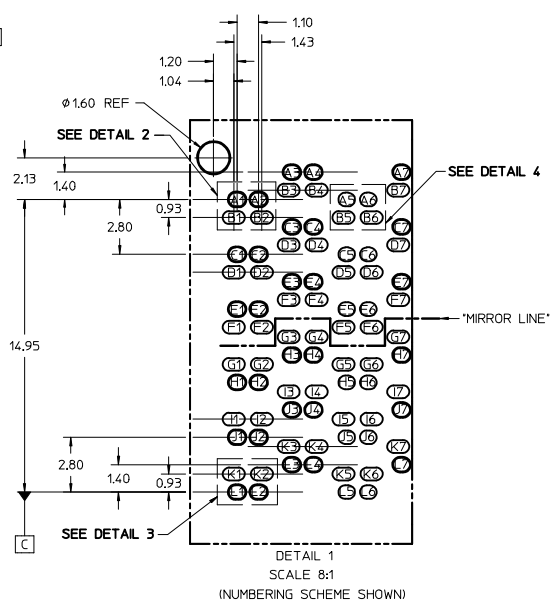
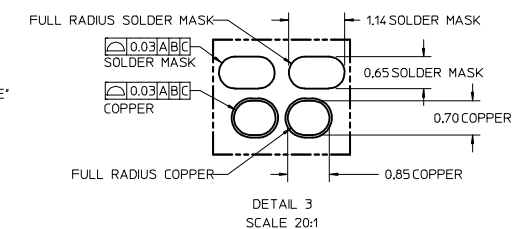
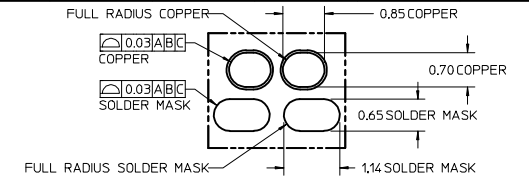


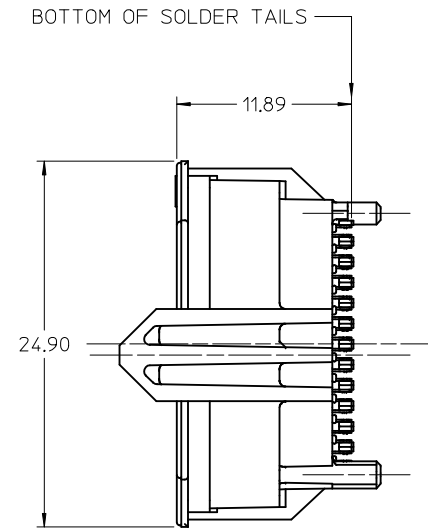
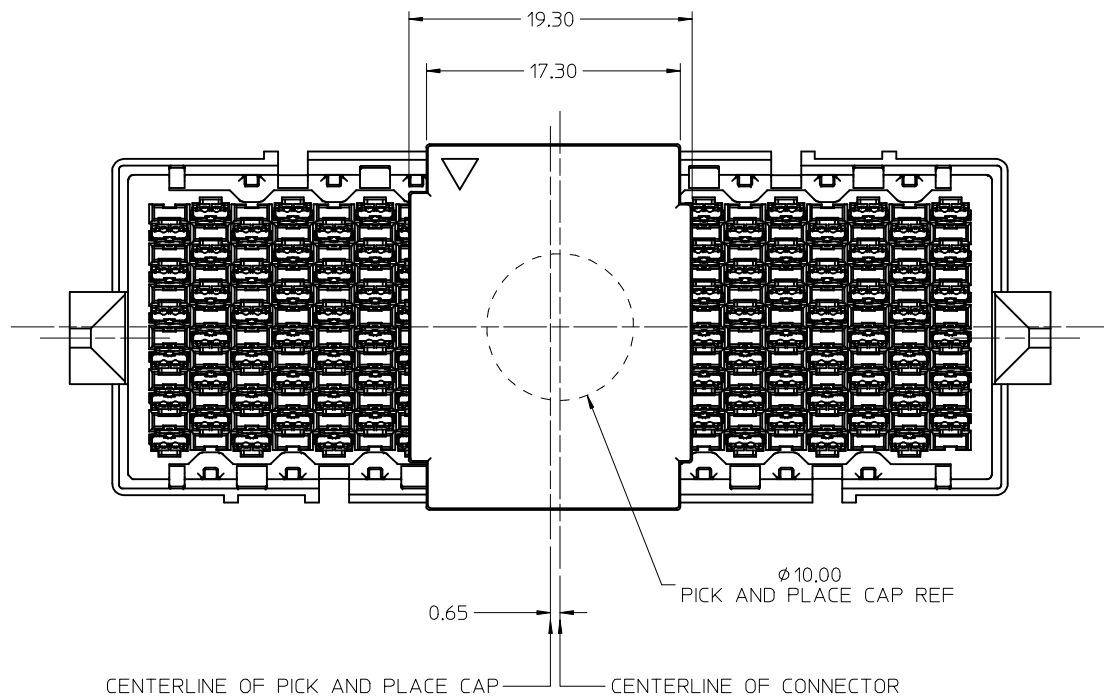
- NOTES:
- HOUSING MATERIAL: LCP, GLASS FILLED, UL 94V-0, BLACK
CONTACT MATERIAL: HIGH PERFORMANCE COPPER ALLOY
SOLDER CHARGE: LEAD FREE SOLDER ALLOY
 - FINISH:
CONTACTS: SELECT GOLD: 30 μNCHES MIN ON CONTACT AREA,
AND 100 μNCHES TIN MIN ON SOLDERABLE PORTION
OF SOLDER TAILS; OVER 50 μNCHES MIN NICKEL OVERALL.
 - PRODUCT SPECIFICATION: PS-170807-0001
 - PACKAGING SPECIFICATION: PK-170814-002
 - APPLICATION SPECIFICATION: AS-170807-0001
 - MATES TO THE 1708072009 PLUG.



- FOOT PRINT NOTES:
- DATUM -A- IS THE TOP OF THE PCB.
 - ALL DIMENSIONS ARE BASICS.
 - SEE APPLICATION SPECIFICATION FOR ADDITIONAL INFORMATION.



UPDATE REVISION IEC NO: LCP2016-1035 DRAWNSKANG 2015/09/14 CHYKJESSIECHIA 2015/09/30 APPR:SHONG 2015/09/30	QUALITY SYMBOLS ∇=0 ∇=0 ∇=0	GENERAL TOLERANCES (UNLESS SPECIFIED)		DIMENSION STYLE MM ONLY	SCALE 3:1	DESIGN UNITS METRIC	THIRD ANGLE PROJECTION		
		4 PLACES ± --- ± --- 3 PLACES ± --- ± --- 2 PLACES ± 0.15 ± --- 1 PLACE ± --- ± --- 0 PLACE ± --- ± ---	mm INCH	DRAWN BY HCGOH DATE 2013/12/30	CHECKED BY KPLOZA DATE 2013/12/30	APPROVED BY SHONG DATE 2014/01/27	MATERIAL NO. 1708142009	DOCUMENT NO. SD-170814-2009	SHEET NO. 1 OF 2
		ANGULAR ±1/2° DRAFT WHERE APPLICABLE MUST REMAIN WITHIN DIMENSIONS		RECEPTACLE 6X20, 8MM, 100 OHMS NEOSCALE 					
		THIS DRAWING CONTAINS INFORMATION THAT IS PROPRIETARY TO MOLEX INCORPORATED AND SHOULD NOT BE USED WITHOUT WRITTEN PERMISSION							



PICK AND PLACE CAP

SEE SHEET 1 IEC NO: UCP2016-1035 DRAWN BY: DRWNSKANG 2015/09/14 CHECKED BY: CHYKJESSIECHUA 2015/09/30 APPR: SHONG 2015/09/30	QUALITY SYMBOLS	GENERAL TOLERANCES (UNLESS SPECIFIED)	DIMENSION STYLE	SCALE	DESIGN UNITS	THIRD ANGLE PROJECTION
	▽=0	mm INCH	MM ONLY	6:1	METRIC	☉
	▽=0	4 PLACES ± --- ± ---	DRAWN BY DATE	TITLE		
	▽=0	3 PLACES ± --- ± ---	HCGOH 2013/12/30	RECEPTACLE 6X20, 8MM, 100 OHMS NEOSCALE		
	2 PLACES ± 0.15 ± ---	CHECKED BY DATE	MATERIAL NO. DOCUMENT NO.			SHEET NO.
	1 PLACE ± --- ± ---	KPELOZA 2013/12/30	SEE SHEET 1			2 OF 2
	0 PLACE ± --- ± ---	APPROVED BY DATE	SD-170814-2009			
		SHONG 2014/01/27	THIS DRAWING CONTAINS INFORMATION THAT IS PROPRIETARY TO MOLEX INCORPORATED AND SHOULD NOT BE USED WITHOUT WRITTEN PERMISSION			

X-ON Electronics

Largest Supplier of Electrical and Electronic Components

Click to view similar products for [Board to Board & Mezzanine Connectors](#) category:

Click to view products by [Molex](#) manufacturer:

Other Similar products are found below :

[10135583-642402LF](#) [89885-310LF](#) [589158040000018](#) [6-1393048-0](#) [68683-613](#) [MDF7-12DP-2.54DSA](#) [MDF7-18P-2.54DSA\(01\)](#) [MDF7-20DP-2.54DSA](#) [MDF7-26D-2.54DSA\(55\)](#) [MDF7-3P-2.54DSA\(01\)](#) [MDF7B-3P-2.54DSA\(55\)](#) [MDF7C-11P-2.54DSA\(55\)](#) [MDF7C-18P-2.54DSA\(55\)](#) [MDF7C-5P-2.54DSA\(01\)](#) [MDF7P-5P-2.54DSA\(55\)](#) [75234-0516](#) [FCN-230C068-11](#) [FCN-268F012-G/BD](#) [FCN-268F036-G/BD](#) [FCN-268M012-G/0D](#) [FCN-268M024-G/1D](#) [FCN-360C008-C](#) [FCN-360C040-C](#) [FCN-723J004/1](#) [MIS-048-01-F-D-DP-K](#) [832-10-034-10-001000](#) [93696-325LF](#) [11828-1FA](#) [AXK630345P](#) [18097-0013](#) [ICA-328STT](#) [2007042-2](#) [304400-2](#) [FCN-214Q030-G/0](#) [FCN-215Q040-G/0](#) [FCN-230C068-ESA](#) [FCN-234P048-G/0](#) [FCN-235D050-G/C](#) [FCN-360A3](#) [FCN-360C040-B](#) [210-93-314-41-105000](#) [2-22603-0](#) [379-064-521-202](#) [MDF7-12P-2.54DSA\(01\)](#) [MDF7-16P-2.54DS\(56\)](#) [MDF7-40DP-2.54DSA\(55\)](#) [MDF7-8P-2.54DSA\(55\)](#) [MDF7B-16P-2.54DSA\(55\)](#) [AXG720047](#) [5031084030](#)