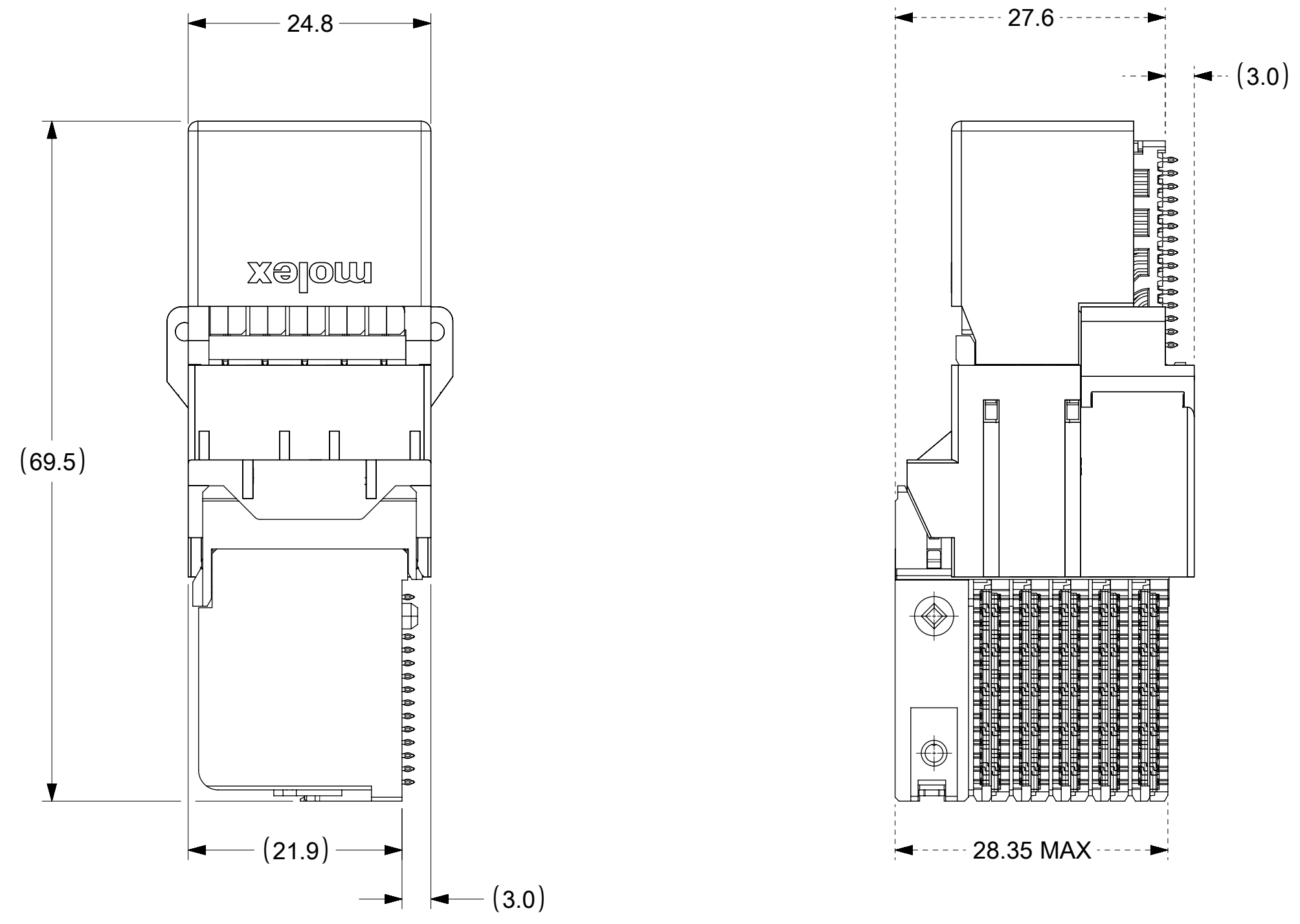


OD-RAM HOLE PATTERN (CONNECTOR SIDE)

THIS DRAWING CONTAINS INFORMATION THAT IS PROPRIETARY TO MOLEX ELECTRONIC TECHNOLOGIES, LLC AND SHOULD NOT BE USED WITHOUT WRITTEN PERMISSION									
DIMENSION UNITS		SCALE		CURRENT REV DESC: MIGRATED TO NX					
MM		3:1		molex IMPACT ORTHOGONAL DIRECT 5 PAIR RAM 90 & 270 ASSY TOP GUIDE SALES DRAWING PRODUCT CUSTOMER DRAWING					
GENERAL TOLERANCES (UNLESS SPECIFIED)									
ANGULAR TOL		± 0.5°							
4 PLACES		±							
3 PLACES		±							
2 PLACES		± 0.13							
1 PLACE		± 0.25		EC NO: 604521		2018/09/17		DRWN: CWANG25 CHK'D: BOKOK APPR: SHONG 2018/09/17 2018/10/16	
0 PLACES		±		INITIAL REVISION:		2012/04/13			
				DRWN: JMENDOZA		2013/12/26			
DRAFT WHERE APPLICABLE MUST REMAIN WITHIN DIMENSIONS		THIRD ANGLE PROJECTION		DRAWING		SERIES		DOCUMENT NUMBER	
		C-SIZE		171575		SD-171575-0002		DOC TYPE DOC PART REVISION	
SEE CHART		GENERAL MARKET		MATERIAL NUMBER		CUSTOMER		SHEET NUMBER	
								1 OF 4	

DOCUMENT STATUS	P1	RELEASE DATE	2018/10/16	00:10:21
-----------------	----	--------------	------------	----------



MATED DIMENSIONS
(POSITION 90° SHOWN)

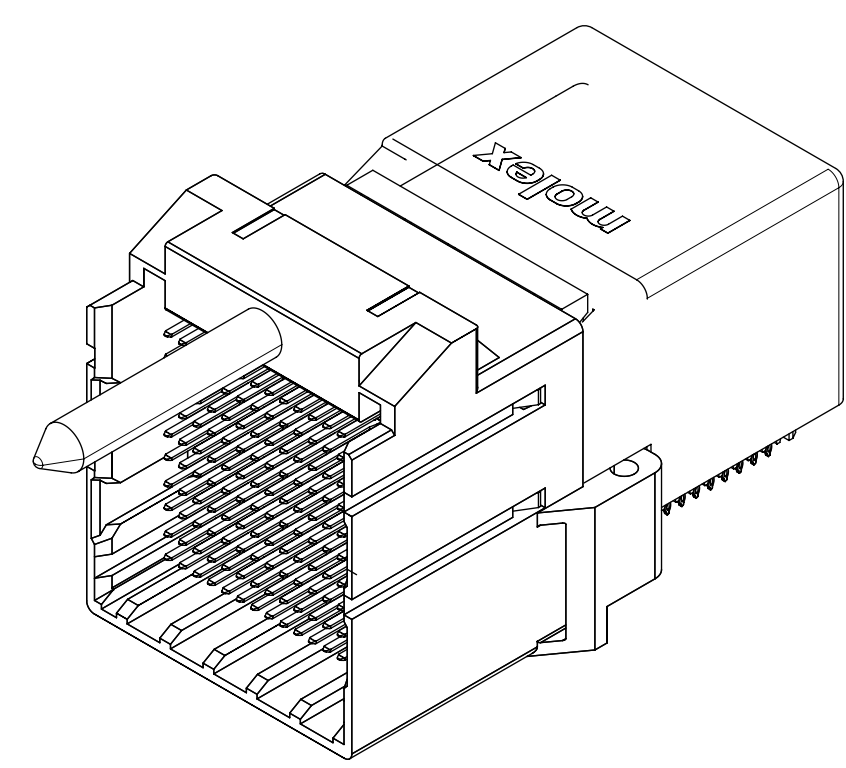
171575-71**

MODULE TYPE
7 = TOP GUIDED, TIN

OF COLUMNS
1 = 10 COLUMN

PIN LENGTH (P)
4 = 4.90 (0.46 PTH)
5 = 5.50 (0.46 PTH)
7 = 4.90 (0.39 PTH)
8 = 5.50 (0.39 PTH)

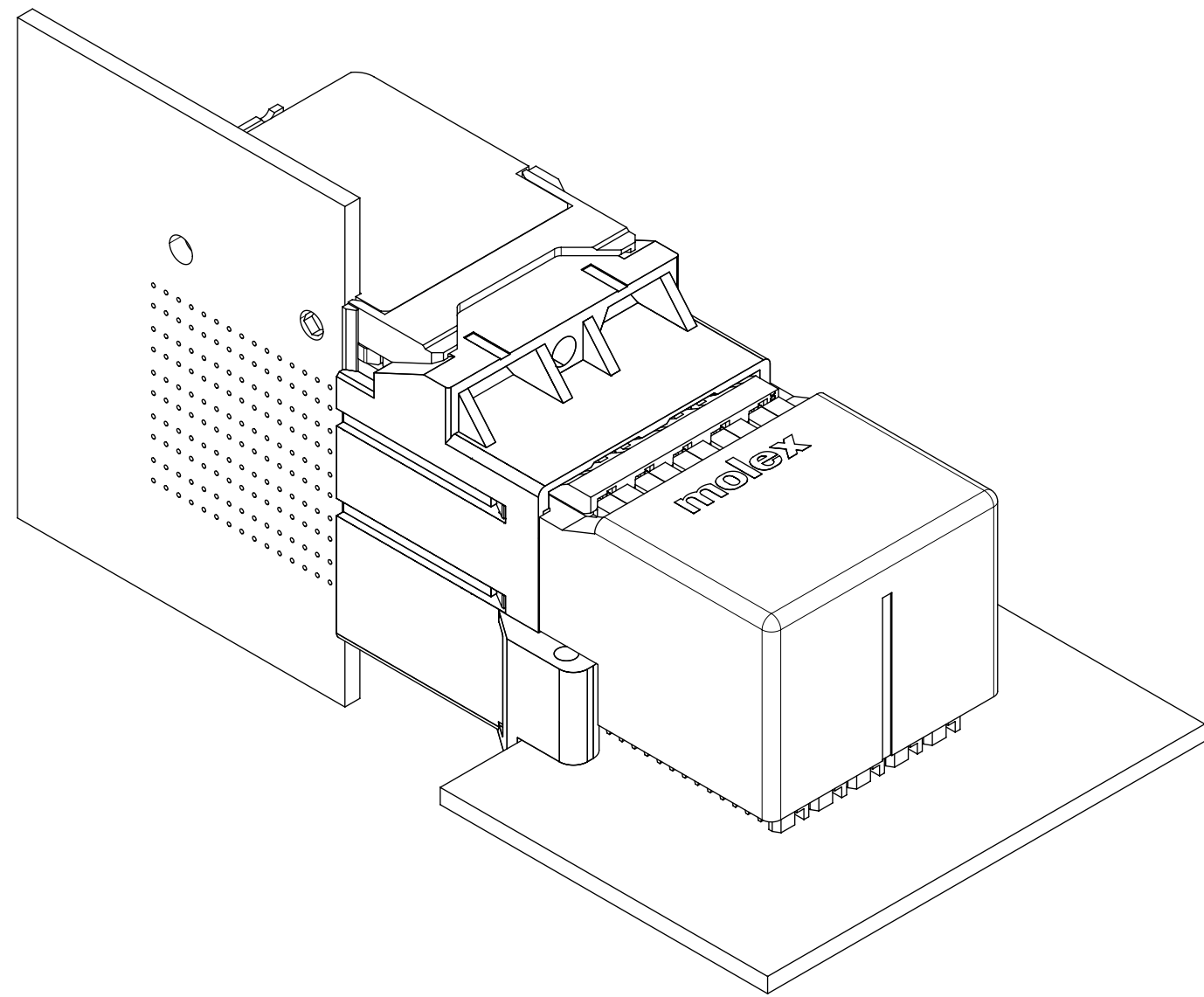
MATE POSITION
0 = 90 DEGREE
3 = 270 DEGREE



- NOTES:
1. MATERIALS: HOUSING - LIQUID CRYSTAL POLYMER (LCP)
GLASS-FILLED, UL94V-0
TERMINALS - HIGH PERFORMANCE COPPER ALLOY
 2. FINISH: 30μ MIN GOLD IN CONTACT AREA.
SELECTIVE TIN ON PCB TAILS.
NICKEL OVERALL.
 3. REFER TO MOLEX PRODUCT SPECIFICATION PS-76060-999
FOR PERFORMANCE SPECIFICATIONS AND ADDITIONAL PCB INFORMATION.
 4. THIS PART CONFORMS TO CLASS B REQUIREMENTS OF
COSMETIC SPEC PS-45499-002.
 5. PACKAGE PER: PK-70873-8022.
 6. SEE SHEETS 3 AND 4 FOR ORTHOGONAL PIN MAPPING.
 7. REFER TO SHEET 3 AND 4 FOR THE MATING RECEPTACLES.
 8. REFER TO MOLEX ROUTING GUIDE AS-76850-990 FOR ADDITIONAL PCB LAYOUT
AND ROUTING RECOMMENDATIONS.
 9. CONNECTORS ARE SUPPLIED WITH TWO 2-32 THREAD FORMING
SCREWS.
 10. THESE DIMENSIONS REPRESENT THE AREA NEEDED TO ACCOMODATE CONNECTOR
INSERTION AND REPAIR ON THE PC BOARD. THIS IS REFERED TO AS THE
"CONNECTOR KEEP OUT ZONE" AND DOES NOT REPRESENT THE ACTUAL PERIMETER
OF THE CONNECTOR.
 11. MARKING: LOCATED APPROXIMATELY AS SHOWN, ON THE BOTTOM OR TOP OF
HOUSING. PART NUMBER AND DATE CODE.

THIS DRAWING CONTAINS INFORMATION THAT IS PROPRIETARY TO MOLEX ELECTRONIC TECHNOLOGIES, LLC AND SHOULD NOT BE USED WITHOUT WRITTEN PERMISSION									
DIMENSION UNITS	SCALE	CURRENT REV DESC: MIGRATED TO NX				molex			
MM	2:1								
GENERAL TOLERANCES (UNLESS SPECIFIED)		EC NO: 604521				IMPACT ORTHOGONAL DIRECT 5 PAIR RAM 90 & 270 ASSY TOP GUIDE SALES DRAWING			
ANGULAR TOL	± 0.5°	DRWN: CWANG25		2018/09/17					
4 PLACES	±	CHK'D: BOKOK		2018/09/17		PRODUCT CUSTOMER DRAWING			
3 PLACES	±	APPR: SHONG		2018/10/16					
2 PLACES	± 0.13	INITIAL REVISION:				DOCUMENT NUMBER SD-171575-0002			
1 PLACE	± 0.25	DRWN: JMENDOZA		2012/04/13					
0 PLACES	±	APPR: TELO		2013/12/26		PSD	001	B4	
DRAFT WHERE APPLICABLE MUST REMAIN WITHIN DIMENSIONS		THIRD ANGLE PROJECTION	DRAWING	SERIES	MATERIAL NUMBER	CUSTOMER	SHEET NUMBER		
			C-SIZE	171575	SEE CHART	GENERAL MARKET	2 OF 4		

ORTHO POSITION 90°
OD-RAM PIN A1 MAPS
TO RAF PIN Q10



REFER TO MOLEX SALES DRAWING SD-76990-002
FOR MATING RECEPTACLES.

ORTHO PIN MAPPING

OPTION 90 (NEARSIDE - FAR SIDE)

A1-Q10	A2-P10	A3-M10	A4-L10	A5-J10	A6-H10	A7-F10	A8-E10	A9-C10	A10-B10
B1-Q9	B2-N10	B3-M9	B4-K10	B5-J9	B6-G10	B7-F9	B8-D10	B9-C9	B10-A10
C1-P9	C2-N9	C3-L9	C4-K9	C5-H9	C6-G9	C7-E9	C8-D9	C9-B9	C10-A9
D1-Q8	D2-P8	D3-M8	D4-L8	D5-J8	D6-H8	D7-F8	D8-E8	D9-C8	D10-B8
E1-Q7	E2-N8	E3-M7	E4-K8	E5-J7	E6-G8	E7-F7	E8-D8	E9-C7	E10-A8
F1-P7	F2-N7	F3-L7	F4-K7	F5-H7	F6-G7	F7-E7	F8-D7	F9-B7	F10-A7
G1-Q6	G2-P6	G3-M6	G4-L6	G5-J6	G6-H6	G7-F6	G8-E6	G9-C6	G10-B6
H1-Q5	H2-N6	H3-M5	H4-K6	H5-J5	H6-G6	H7-F5	H8-D6	H9-C5	H10-A6
J1-P5	J2-N5	J3-L5	J4-K5	J5-H5	J6-G5	J7-E5	J8-D5	J9-B5	J10-A5
K1-Q4	K2-P4	K3-M4	K4-L4	K5-J4	K6-H4	K7-F4	K8-E4	K9-C4	K10-B4
L1-Q3	L2-N4	L3-M3	L4-K4	L5-J3	L6-G4	L7-F3	L8-D4	L9-C3	L10-A4
M1-P3	M2-N3	M3-L3	M4-K3	M5-H3	M6-G3	M7-E3	M8-D3	M9-B3	M10-A3
N1-Q2	N2-P2	N3-M2	N4-L2	N5-J2	N6-H2	N7-F2	N8-E2	N9-C2	N10-B2
P1-Q1	P2-N2	P3-M1	P4-K2	P5-J1	P6-G2	P7-F1	P8-D2	P9-C1	P10-A2
Q1-P1	Q2-N1	Q3-L1	Q4-K1	Q5-H1	Q6-G1	Q7-E1	Q8-D1	Q9-B1	Q10-A1

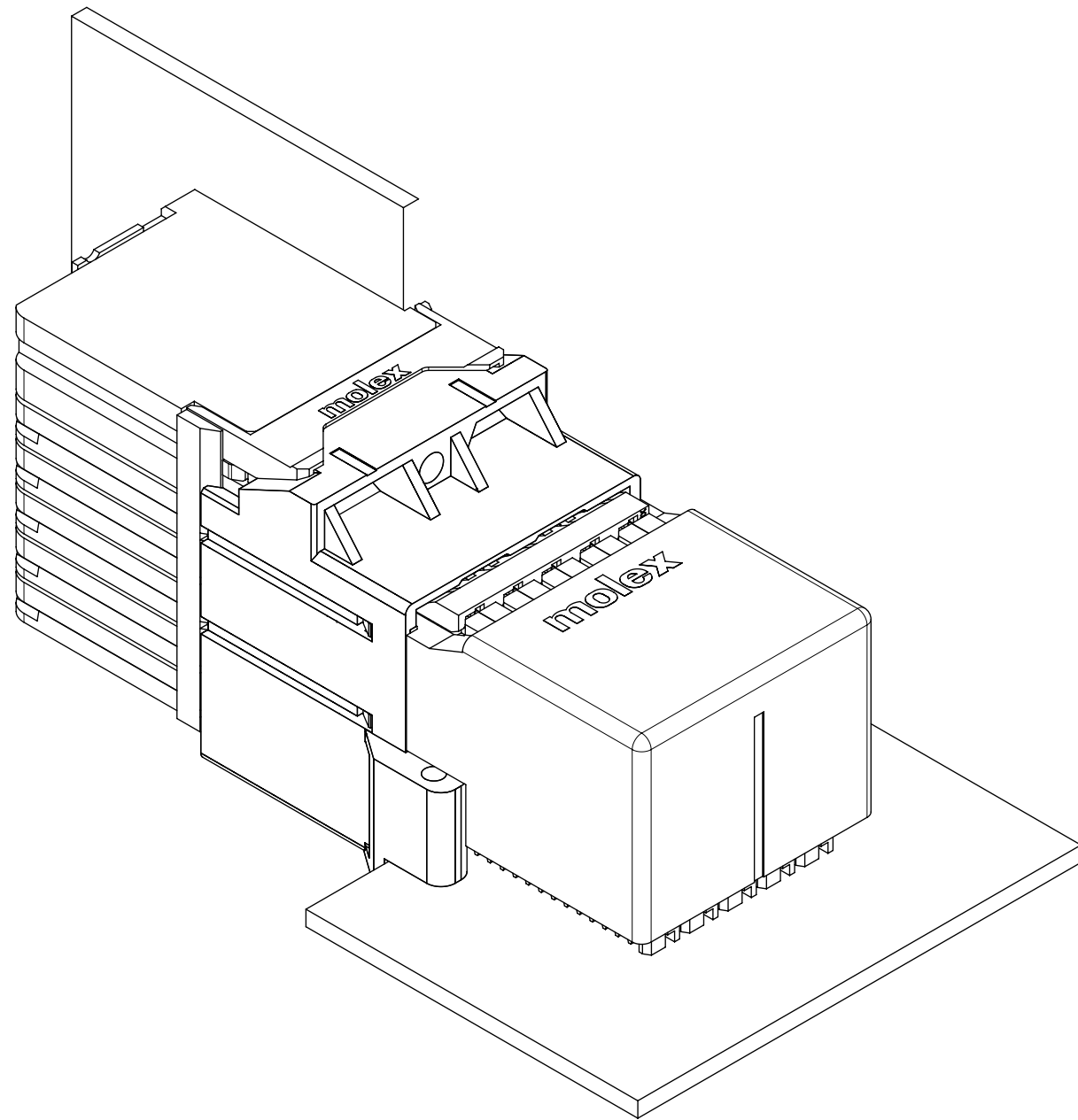
NOTE: PINOUTS SHOWN IN BALLOONS ARE GROUNDS.
GROUND PATHS ARE NOT DISCRETE CIRCUITS.

MATERIAL NUMBER	# OF COLUMNS	# OF DIFF PAIR	MATE POSITION	DIM P	PTH Ø
171575-7104	10	50	90	4.90	0.46±0.05
171575-7105	10	50	90	5.50	0.46±0.05
171575-7107	10	50	90	4.90	0.39±0.05
171575-7108	10	50	90	5.50	0.39±0.05

THIS DRAWING CONTAINS INFORMATION THAT IS PROPRIETARY TO MOLEX ELECTRONIC TECHNOLOGIES, LLC AND SHOULD NOT BE USED WITHOUT WRITTEN PERMISSION

DIMENSION UNITS	SCALE	CURRENT REV DESC: MIGRATED TO NX		molex	
MM	2:1				
GENERAL TOLERANCES (UNLESS SPECIFIED)		EC NO: 604521		IMPACT ORTHOGONAL DIRECT	
ANGULAR TOL	± 0.5°	DRWN: CWANG25	2018/09/17	5 PAIR RAM 90 & 270 ASSY TOP GUIDE SALES	
4 PLACES	±	CHK'D: BOKOK	2018/09/17	DRAWING	
3 PLACES	±	APPR: SHONG	2018/10/16	PRODUCT CUSTOMER DRAWING	
2 PLACES	± 0.13	INITIAL REVISION:		DOCUMENT NUMBER	
1 PLACE	± 0.25	DRWN: JMENDOZA	2012/04/13	SD-171575-0002	
0 PLACES	±	APPR: TELO	2013/12/26	DOC TYPE	DOC PART
DRAFT WHERE APPLICABLE MUST REMAIN WITHIN DIMENSIONS		THIRD ANGLE PROJECTION	DRAWING	SERIES	REVISION
			C-SIZE	171575	PSD 001 B4
DOCUMENT STATUS		P1	RELEASE DATE	2018/10/16 00:10:21	MATERIAL NUMBER
					SEE CHART
					CUSTOMER
					GENERAL MARKET
					SHEET NUMBER
					3 OF 4

ORTHO POSITION 270°
 OD-RAM PIN A1 MAPS
 TO RAF PIN A1



REFER TO MOLEX SALES DRAWING SD-76990-004
 FOR MATING RECEPTACLES.

ORTHO PIN MAPPING

OPTION 270 (NEARSIDE - FAR SIDE)

A1-A1	A2-B1	A3-D1	A4-E1	A5-G1	A6-H1	A7-K1	A8-L1	A9-N1	A10-P1
B1-A2	B2-C1	B3-D2	B4-F1	B5-G2	B6-J1	B7-K2	B8-M1	B9-N2	B10-Q1
C1-B2	C2-C2	C3-E2	C4-F2	C5-H2	C6-J2	C7-L2	C8-M2	C9-P2	C10-Q2
D1-A3	D2-B3	D3-D3	D4-E3	D5-G3	D6-H3	D7-K3	D8-L3	D9-N3	D10-P3
E1-A4	E2-C3	E3-D4	E4-F3	E5-G4	E6-J3	E7-K4	E8-M3	E9-N4	E10-Q3
F1-B4	F2-C4	F3-E4	F4-F4	F5-H4	F6-J4	F7-L4	F8-M4	F9-P4	F10-Q4
G1-A5	G2-B5	G3-D5	G4-E5	G5-G5	G6-H5	G7-K5	G8-L5	G9-N5	G10-P5
H1-A6	H2-C5	H3-D6	H4-F5	H5-G6	H6-J5	H7-K6	H8-M5	H9-N6	H10-Q5
J1-B6	J2-C6	J3-E6	J4-F6	J5-H6	J6-J6	J7-L6	J8-M6	J9-P6	J10-Q6
K1-A7	K2-B7	K3-D7	K4-E7	K5-G7	K6-H7	K7-K7	K8-L7	K9-N7	K10-P7
L1-A8	L2-C7	L3-D8	L4-F7	L5-G8	L6-J7	L7-K8	L8-M7	L9-N8	L10-Q7
M1-B8	M2-C8	M3-E8	M4-F8	M5-H8	M6-J8	M7-L8	M8-M8	M9-P8	M10-Q8
N1-A9	N2-B9	N3-D9	N4-E9	N5-G9	N6-H9	N7-K9	N8-L9	N9-N9	N10-P9
P1-A10	P2-C9	P3-D10	P4-F9	P5-G10	P6-J9	P7-K10	P8-M9	P9-N10	P10-Q9
Q1-B10	Q2-C10	Q3-E10	Q4-F10	Q5-H10	Q6-J10	Q7-L10	Q8-M10	Q9-P10	Q10-Q10

NOTE: PINOUTS SHOWN IN BALLOONS ARE GROUNDS.
 GROUND PATHS ARE NOT DISCRETE CIRCUITS.

MATERIAL NUMBER	# OF COLUMNS	# OF DIFF PAIR	MATE POSITION	DIM P	PTH Ø
171575-7134	10	50	270	4.90	0.46±0.05
171575-7135	10	50	270	5.50	0.46±0.05
171575-7137	10	50	270	4.90	0.39±0.05
171575-7138	10	50	270	5.50	0.39±0.05

THIS DRAWING CONTAINS INFORMATION THAT IS PROPRIETARY TO MOLEX ELECTRONIC TECHNOLOGIES, LLC AND SHOULD NOT BE USED WITHOUT WRITTEN PERMISSION

DIMENSION UNITS	SCALE	CURRENT REV DESC: MIGRATED TO NX		molex	
MM	2:1				
GENERAL TOLERANCES (UNLESS SPECIFIED)		EC NO: 604521		IMPACT ORTHOGONAL DIRECT 5 PAIR RAM 90 & 270 ASSY TOP GUIDE SALES DRAWING	
ANGULAR TOL	± 0.5°	DRWN: CWANG25	2018/09/17		
4 PLACES	±	CHK'D: BOKOK	2018/09/17		
3 PLACES	±	APPR: SHONG	2018/10/16	PRODUCT CUSTOMER DRAWING	
2 PLACES	± 0.13	INITIAL REVISION:		DOCUMENT NUMBER	
1 PLACE	± 0.25	DRWN: JMENDOZA	2012/04/13	SD-171575-0002	
0 PLACES	±	APPR: TELO	2013/12/26	DOC TYPE	DOC PART
DRAFT WHERE APPLICABLE MUST REMAIN WITHIN DIMENSIONS		THIRD ANGLE PROJECTION	DRAWING	SERIES	REVISION
			C-SIZE	171575	PSD 001 B4
DOCUMENT STATUS		P1	RELEASE DATE	2018/10/16 00:10:21	MATERIAL NUMBER
					SEE CHART
					CUSTOMER
					GENERAL MARKET
					SHEET NUMBER
					4 OF 4

X-ON Electronics

Largest Supplier of Electrical and Electronic Components

Click to view similar products for [High Speed/Modular Connectors](#) category:

Click to view products by [Molex](#) manufacturer:

Other Similar products are found below :

[2332816-1](#) [89006-1137LF](#) [650827-1](#) [65762-001LF](#) [73474-201LF](#) [74040-1346](#) [74075-0267](#) [88911-201LF](#) [9514M0C20D](#) [1410191-1](#)
[1410337-1](#) [1410368-3](#) [1410964-2](#) [1410326-3](#) [1410367-3](#) [1410971-4](#) [1467833-1](#) [2000877-1](#) [2000878-1](#) [2041314-1](#) [2065387-1](#) [2187307-1](#)
[2187462-1](#) [2226278-6](#) [KA81-07](#) [91290-101LF](#) [1934290-1](#) [2000875-1](#) [2065917-1](#) [2102736-2](#) [FSR-40](#) [2169868-2](#) [2226279-2](#) [22354-8](#) [437-](#)
[5040-000](#) [5-1393565-0](#) [532449-3](#) [532803-2](#) [34745-0001](#) [0740618502](#) [0760151403](#) [0760551105](#) [0760551608](#) [0761451128](#) [0761651124](#)
[0761655108](#) [0761659807](#) [0769853208](#) [0736440217](#) [0758324203](#)