

PLEASE CHECK WWW.MOLEX.COM FOR LATEST PART INFORMATION

Part Number: [1722872206](#)
Status: **Active**
Overview: [Ultra-Fit Power Connectors](#)
Description: Ultra-Fit Vertical Header, 3.50mm Pitch, Single Row, 6 Circuits, with Solder Clips, 0.38µm Gold (Au) Plating, Natural, Glow-Wire Capable

Documents:

| | |
|--|--|
| 3D Model | Product Specification PS-172323-0001-001 (PDF) |
| Drawing (PDF) | Application Specification AS-172323-0001-001 (PDF) |
| 3D Model (PDF) | Packaging Specification PK-172287-9001-001 (PDF) |
| Product Specification 1723230001-TS-000 (PDF) | Symbol Footprint Data 1722871106-000 (PDF) |
| Product Specification 1723231000-PS-CH-000 (PDF) | Symbol Footprint Data SYM-172287-1106-001 (PDF) |
| Product Specification 1723231000-PS-ES-000 (PDF) | RoHS Certificate of Compliance (PDF) |
| Product Specification 1723231000-PS-JP-000 (PDF) | Product Literature (PDF) |
| Product Specification 1723231000-PS-SK-000 (PDF) | |

Agency Certification

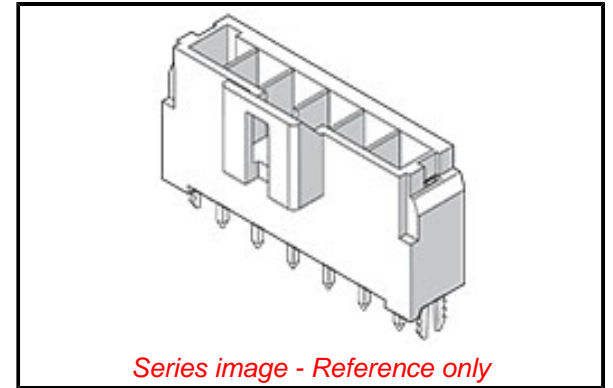
| | |
|-----|---------|
| CSA | LR19980 |
| UL | E29179 |

General

| | |
|----------------|---|
| Product Family | PCB Headers |
| Series | 172287 |
| Application | Power, Wire-to-Board |
| Comments | See Product Specification for maximum current rating by circuit size and wire AWG |
| Overview | Ultra-Fit Power Connectors |
| Product Name | Ultra-Fit |
| UPC | 887191737010 |

Physical

| | |
|--------------------------------|------------------------|
| Breakaway | No |
| Circuits (Loaded) | 6 |
| Circuits (maximum) | 6 |
| Color - Resin | Natural |
| Durability (mating cycles max) | 200 |
| First Mate / Last Break | No |
| Flammability | 94V-0 |
| Glow-Wire Capable | Yes |
| Guide to Mating Part | No |
| Keying to Mating Part | Yes |
| Lock to Mating Part | Yes |
| Material - Metal | Copper Alloy |
| Material - Plating Mating | Gold |
| Material - Plating Termination | Tin |
| Material - Resin | Liquid Crystal Polymer |
| Net Weight | 1.926/g |
| Number of Rows | 1 |
| Orientation | Vertical |
| PC Tail Length | 3.20mm |
| PCB Locator | Yes |
| PCB Retention | Yes |
| PCB Thickness - Recommended | 1.60mm |
| Packaging Type | Tray |
| Pitch - Mating Interface | 3.50mm |
| Pitch - Termination Interface | 3.50mm |
| Plating min - Mating | 0.381µm |



Series image - Reference only

EU ELV

Not Relevant

EU RoHS

Compliant

REACH SVHC

Not Contained Per -
D(2020)9139-DC (19
Jan 2021)

Halogen-Free

Status

Low-Halogen

For more information, please visit [Contact US](#)

China ROHS

ELV

RoHS Phthalates

China RoHS

Green Image

Not Relevant

Not Contained

Search Parts in this Series

[172287 Series](#)

Mates With

Ultra-Fit Receptacle Housing [1722564106](#)

| | |
|--------------------------------|----------------|
| Plating min - Termination | 1.524µm |
| Polarized to Mating Part | Yes |
| Polarized to PCB | Yes |
| Shrouded | Fully |
| Surface Mount Compatible (SMC) | Yes |
| Temperature Range - Operating | -40° to +120°C |
| Termination Interface: Style | Through Hole |

Electrical

| | |
|-------------------------------|------------------|
| Current - Maximum per Contact | 12.0A |
| Voltage - Maximum | 400V AC (RMS)/DC |

Solder Process Data

| | |
|--|------|
| Duration at Max. Process Temperature (seconds) | 090 |
| Lead-free Process Capability | WAVE |
| Max. Cycles at Max. Process Temperature | 002 |
| Process Temperature max. C | 260 |

Material Info**Reference - Drawing Numbers**

| | |
|---------------------------|---|
| Application Specification | AS-172323-0001-001 |
| Packaging Specification | PK-172287-9001-001 |
| Product Specification | 1723230001-TS-000, 1723231000-PS-CH-000, 1723231000-PS-ES-000, 1723231000-PS-JP-000, 1723231000-PS-SK-000, PS-172323-0001-001 |
| Sales Drawing | SD-172287-1000-000 |
| Symbol/Footprint Data | 1722871106-000, SYM-172287-1106-001 |

This document was generated on 08/24/2021

PLEASE CHECK WWW.MOLEX.COM FOR LATEST PART INFORMATION

X-ON Electronics

Largest Supplier of Electrical and Electronic Components

Click to view similar products for [Headers & Wire Housings](#) category:

Click to view products by [Molex](#) manufacturer:

Other Similar products are found below :

[892-18-020-10-001101](#) [58102-G61-06LF](#) [582553-1](#) [0009485154](#) [009176003701906](#) [0050291907](#) [LY20-4P-DT1-P1E-BR](#) [02.125.8002.8](#)
[609-3404](#) [61062-3](#) [622-0430](#) [622-3653LF](#) [63453-116](#) [636-1030](#) [636-1427](#) [636-3427](#) [636-4007](#) [641938-9](#) [641991-4](#) [644827-2](#) [65817-010LF](#)
[65817-015LF](#) [65863-015LF](#) [66207-023LF](#) [67095-007LF](#) [67601157](#) [68648-049](#) [70.362.1628.0](#) [70-4210](#) [70-4226B](#) [70-4853B](#) [707-5020](#) [707-](#)
[5028](#) [71.350.2428.0](#) [71918-208LF](#) [71961-016LF](#) [733-134](#) [733-162](#) [754199-000](#) [760-3052](#) [787-8014-00](#) [79531-3000](#) [FCN-360C032-B](#) [FCN-](#)
[367T-T012/H](#) [FCN-723D010/2](#) [80.063.4001.1](#) [800-90-001-10-001000](#) [800-90-010-10-002000](#) [801-43-002-10-013000](#) [801-43-006-10-002000](#)