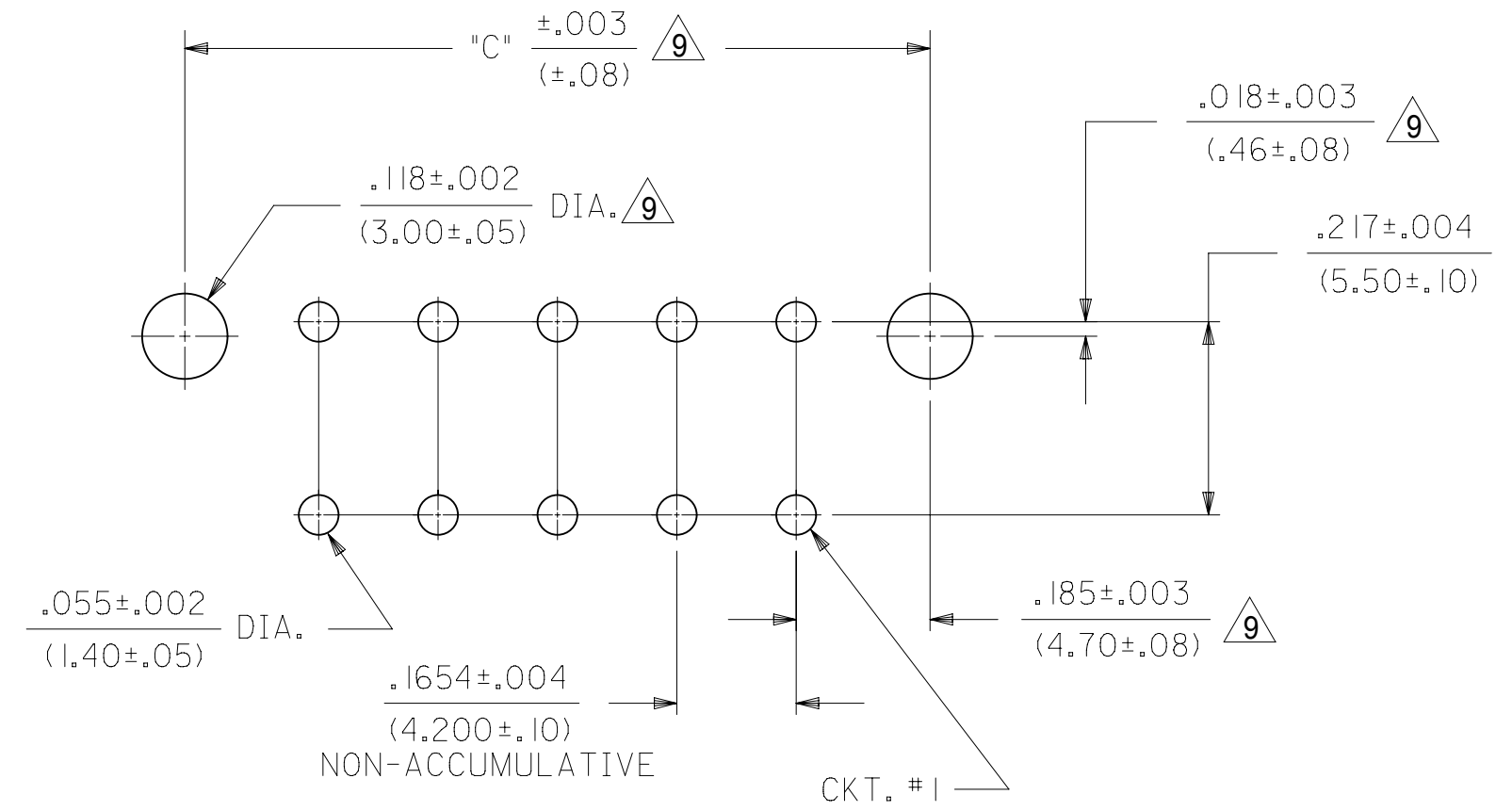
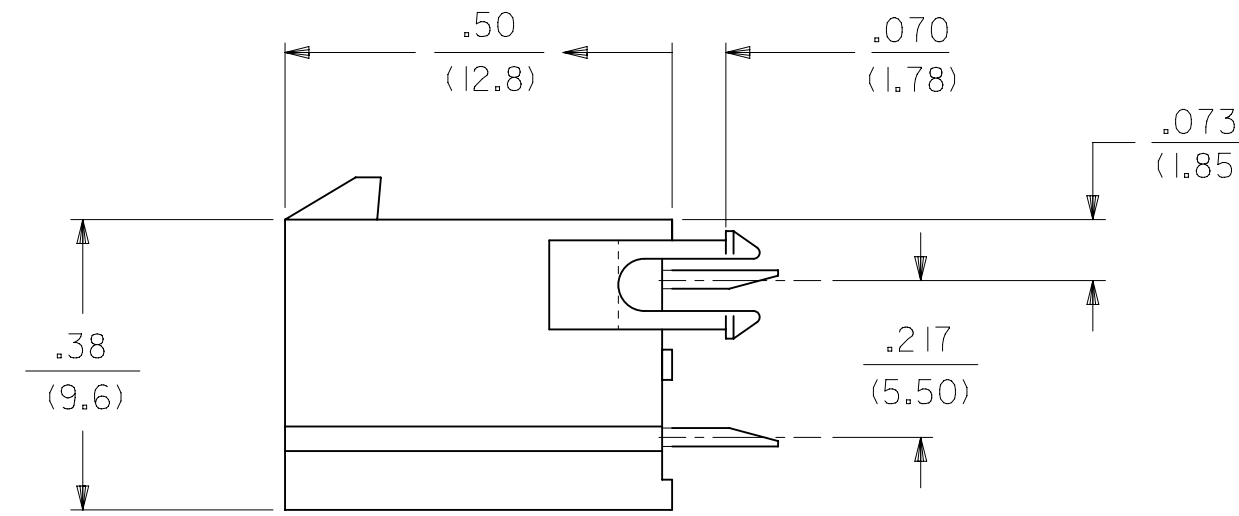
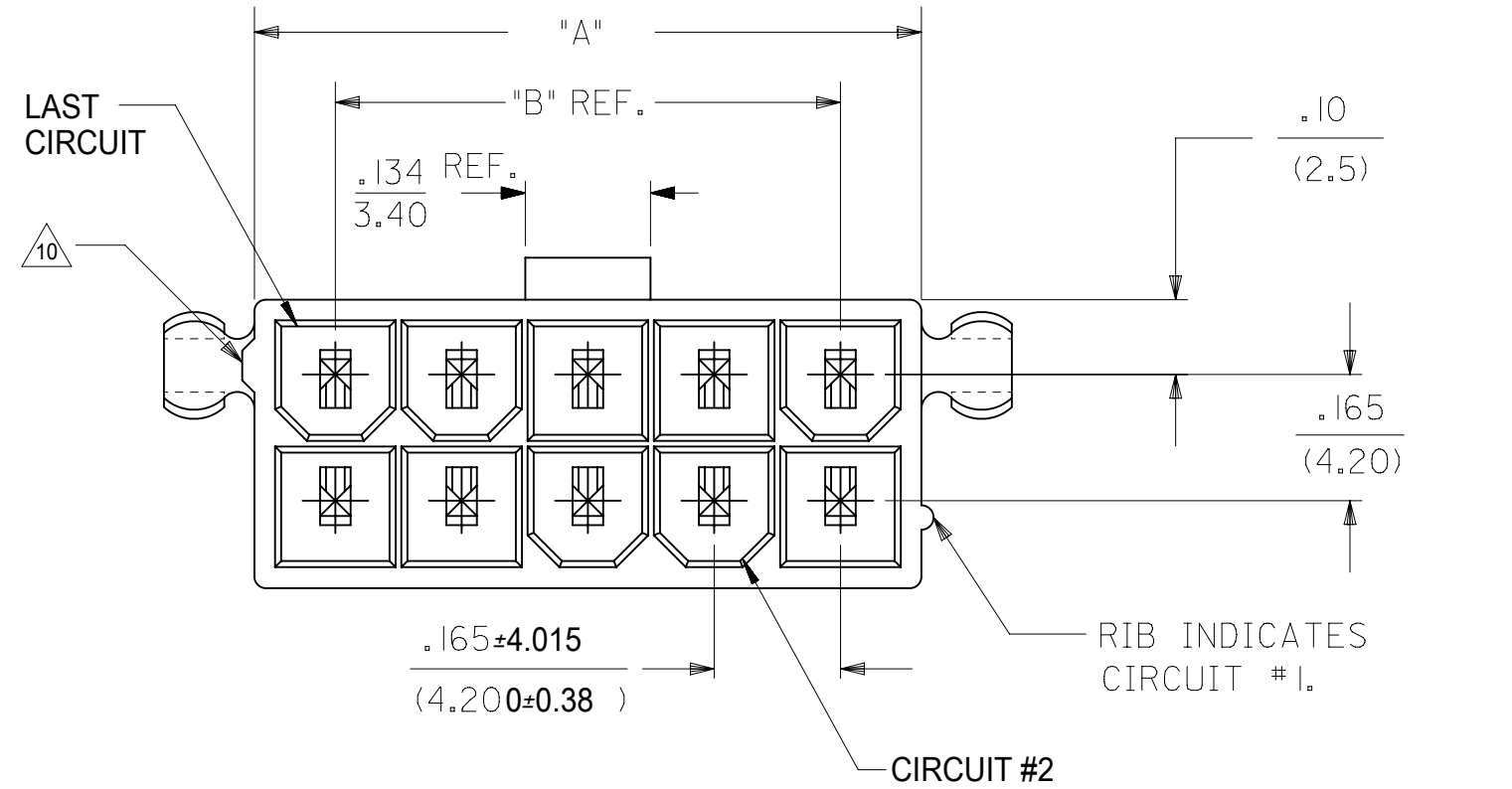


8 CKT SHOWN

CIRCUIT SIZE	DIM. "A"	DIM. "B"	DIM. "C"
2	.21 (5.4)	—	.370 (9.40)
4	.38 (9.6)	.17 (4.2)	.535 (13.60)
6	.54 (13.8)	.33 (8.4)	.701 (17.80)
8	.71 (18.0)	.50 (12.6)	.866 (22.00)
10	.87 (22.2)	.66 (16.8)	1.031 (26.20)
12	1.04 (26.4)	.83 (21.0)	1.197 (30.40)
14	1.20 (30.6)	.99 (25.2)	1.362 (34.60)
16	1.37 (34.8)	1.16 (29.4)	1.528 (38.80)
18	1.54 (39.0)	1.32 (33.6)	1.693 (43.00)
20	1.70 (43.2)	1.49 (37.8)	1.858 (47.20)
22	1.87 (47.4)	1.65 (42.0)	2.024 (51.40)
24	2.03 (51.6)	1.82 (46.2)	2.189 (55.60)



RECOMMENDED HOLE LAYOUT FOR .070/(1.78) MAX. THICK P. C. BOARD  
VIEWED FROM COMPONENT SIDE

172447 - \* \* \*\*

PLATING  
SEE NOTE 2  
0 = TIN  
1 = GOLD

ASSEMBLY TYPE  
0 = DUAL ROW W/ PEGS (BLACK)  
1 = DUAL ROW W/ PEGS (BEIGE)  
2 = DUAL ROW W/O PEGS (BLACK)  
3 = DUAL ROW W/O PEGS (BIEGE)

CIRCUIT SIZE

QUALITY SYMBOLS		THIS DRAWING CONTAINS INFORMATION THAT IS PROPRIETARY TO MOLEX ELECTRONIC TECHNOLOGIES, LLC AND SHOULD NOT BE USED WITHOUT WRITTEN PERMISSION			
▽ = 0	ADD NAT P/NS	GENERAL TOLERANCES (UNLESS SPECIFIED)		DIMENSION UNITS	SCALE
▽ = 0	EC NO: 114701	IN/MM		INCH	4:1
▽ = 0	DRWN: CSLAFTER	MM		INCH	
▽ = 0	CHKD: JBELL	4 PLACES ±		DRWN BY	DATE
▽ = 0	REV / APPR: FSMITH	3 PLACES ± ± 0.015		NNGUYEN	2014/04/22
▽ = 0		2 PLACES ± 0.38 ± 0.02		CHK'D BY	DATE
▽ = 0		1 PLACES ± 0.5 ±		JBELL	2014/04/22
▽ = 0		0 PLACES ± ±		APPR BY	DATE
▽ = 0		ANGULAR TOL = 0.5		FSMITH	2014/05/16
▽ = 0		DRAFT WHERE APPLICABLE MUST REMAIN WITHIN DIMENSIONS		DRAWING SIZE	THIRD ANGLE PROJECTION
▽ = 0				C	
A2		SERIES		CUSTOMER	
		172447		GENERAL MARKET	
		DOCUMENT NUMBER		SHEET NUMBER	
		SD-172447-0000		1 OF 2	

Table with columns: TOOLED, PART NUMBER, CKT SIZE, MOUNTING OPTION, PLATING SEE NOTE 2, COLOR. Rows include parts like 172447-0002 to 172447-0024.

Table with columns: TOOLED, PART NUMBER, CKT SIZE, MOUNTING OPTION, PLATING SEE NOTE 2, COLOR. Rows include parts like 172447-0202 to 172447-0224.

NOTES:
1. MATERIALS: HOUSING: NYLON, UL94 V-2, COLOR: SEE CHART, IEC 60335-1, 5th EDITION GLOW WIRE CAPABLE
TERMINALS: BRASS
2. TERMINAL PLATING: GOLD = .000030/(0.00076) MIN. SELECT GOLD AND .000100/(0.00254) MIN. SELECT MATTE TIN OVER .000050/(0.00127) MIN. NICKEL OVERALL
TIN = .000100/(0.00254) MIN. MATTE TIN OVER .000050/(0.00127) MIN. NICKEL
3. PRODUCT SPECIFICATION: PS-5556-001
4. PACKAGING: TRAY PACKED PER PK-5566-001
5. PART MATES WITH MINI-FIT JR. RECEPTACLE NO. 46992.
6. PART CONFORMS TO CLASS "B" REQUIREMENTS OF COSMETIC SPECIFICATION PS-45499-002 WITH THE EXCEPTION OF DISCOLORATION, FLASH AND SINK ON THE HOUSING MEET CLASS "C" REQUIREMENTS.
7. PART IS NOT DESIGNED FOR CURRENT SHARING.
8. PARTS ARE NOT DESIGNED TO BE MATED OR UN-MATED WHILE CIRCUITS ARE LIVE.
9. LOCATION OF .118.002/(3.000.05) DIAMETER HOLES ON P.C. BOARD IS FOR OPTIONAL PEGS.
10. ANTI-SHINGLING RIB MAY OR MAY NOT APPEAR ON HOUSINGS.

Table with columns: TOOLED, PART NUMBER, CKT SIZE, MOUNTING OPTION, PLATING SEE NOTE 2, COLOR. Rows include parts like 172447-1002 to 172447-1024.

Table with columns: TOOLED, PART NUMBER, CKT SIZE, MOUNTING OPTION, PLATING SEE NOTE 2, COLOR. Rows include parts like 172447-1202 to 172447-1224.

Table with columns: TOOLED, PART NUMBER, CKT SIZE, MOUNTING OPTION, PLATING SEE NOTE 2, COLOR. Rows include parts like 172447-0102 to 172447-0124.

Table with columns: TOOLED, PART NUMBER, CKT SIZE, MOUNTING OPTION, PLATING SEE NOTE 2, COLOR. Rows include parts like 172447-0302 to 172447-0324.

Table with columns: TOOLED, PART NUMBER, CKT SIZE, MOUNTING OPTION, PLATING SEE NOTE 2, COLOR. Rows include parts like 172447-1302 to 172447-1324.

Table with columns: TOOLED, PART NUMBER, CKT SIZE, MOUNTING OPTION, PLATING SEE NOTE 2, COLOR. Rows include parts like 172447-1102 to 172447-1124.

Technical drawing header and title block containing quality symbols, drawing information (EC NO: 114701, DRWN: CSLAFTER, CHKD: JBELL, APPR: FSMITH), tolerances, dimensions, scales, and the Molex logo. Title: MINI-FIT VERT HDR ASSY W & W/O PEGS DUAL ROW.

## X-ON Electronics

Largest Supplier of Electrical and Electronic Components

*Click to view similar products for [Power to the Board](#) category:*

*Click to view products by [Molex](#) manufacturer:*

Other Similar products are found below :

[10131318-08512GRLF](#) [6450171-4](#) [6450552-7](#) [6600323-8](#) [6643429-1](#) [6646040-2](#) [6651939-1](#) [6766604-1](#) [120959-1](#) [1393557-2](#) [1393532-2](#)  
[1393532-3](#) [1393532-4](#) [1393557-1](#) [1600812-5](#) [1-6450861-2](#) [1645595-1](#) [1743490-1](#) [1744132-7](#) [1761122-1](#) [1766169-1](#) [1766250-1](#) [18362](#)  
[1892109-1](#) [1-967627-6](#) [2226808-1](#) [2-6450860-5](#) [2-6450860-6](#) [2-6450870-0](#) [93003-0502](#) [953552-1](#) [1-6450161-4](#) [1-6450850-6](#) [1645526-2](#) [1-](#)  
[6600130-0](#) [1743419-1](#) [1766150-1](#) [2005243-2](#) [211110-1](#) [2-6600130-2](#) [TE34-12-16P-F0](#) [51700-10201602AALF](#) [5-6450830-6](#) [5646956-4](#)  
[36662-0005](#) [40585-3000](#) [4-6450830-9](#) [4-6600333-3](#) [51142-0214](#) [10125416-4050LF](#)