

PLEASE CHECK WWW.MOLEX.COM FOR LATEST PART INFORMATION

Part Number: [1726042100](#)
Status: **Active**
Overview: [T-Path 100-Gbps Connector Solutions](#)
Description: [T-Path Cage for Heat Sink, 1-by-1 with Spring Fingers, Open Top, No Lightpipes](#)

Documents:

[Drawing \(PDF\)](#) [Product Literature \(PDF\)](#)
[RoHS Certificate of Compliance \(PDF\)](#)

Application tooling part link

Application Tooling Part Link 62203-5250
 Application Tooling Part Link 62203-5260

General

Product Family EMI Cages
 Series [172604](#)
 Application Module-to-Board
 Component Type Cage Assembly
 Overview [T-Path 100-Gbps Connector Solutions](#)
 Product Name T-Path
 UPC 889056805933

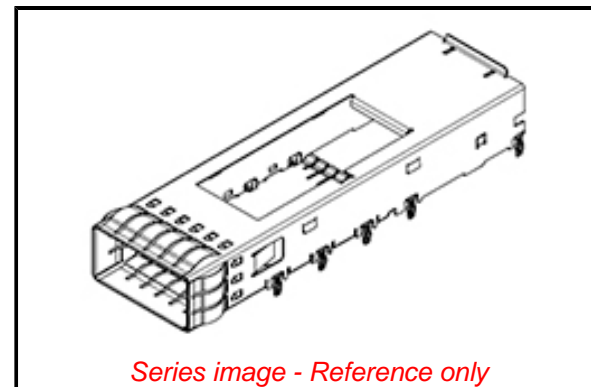
Physical

EMI Panel / Bezel Mount Spring Fingers
 Light Pipes per Port 0
 Material - Metal Stainless Steel
 Net Weight 6.316/g
 Orientation Horizontal
 Packaging Type Tray
 Port Configuration 1x1
 Rear Legs 0
 Termination Interface: Style Through Hole - Compliant Pin
 Thermal Height N/A
 Thermal Solutions Open Top

Material Info

Reference - Drawing Numbers

Application Tooling Documents [ATS-622035250](#), [ATS-622035260](#)
 Sales Drawing [1726042100-ASY](#), [SD-172604-2100-001](#)



EU ELV

Compliant

EU RoHS

Compliant

REACH SVHC

Not Contained Per -
 ECHA_01_2020 (16
 January 2020

Halogen-Free

Status

Low-Halogen

For more information, please visit [Contact US](#)

China ROHS

ELV

RoHS Phthalates

China RoHS

Green Image

Compliant

Not Contained

Search Parts in this Series

[172604](#) Series

Use With

T-Path 100-Gpbs Connector [1726040003](#)
 , [1726040002](#)
T-Path Heat Sink
[1000130338](#)
Link:T-Path Heat Sink Clip
[1000130181](#)

Application Tooling | FAQ

Tooling specifications and manuals are found by selecting the products below. Crimp Height Specifications are then contained in the Application Tooling Specification document.

Global

| Description | Product # |
|-------------------------------------|---------------------------|
| EMI Cage T-Connector Insertion Tool | 622035250 |
| EMI Cage T-Connector Removal Tool | 622035260 |

This document was generated on 03/17/2020

PLEASE CHECK WWW.MOLEX.COM FOR LATEST PART INFORMATION

X-ON Electronics

Largest Supplier of Electrical and Electronic Components

Click to view similar products for [I/O Connectors](#) category:

Click to view products by [Molex](#) manufacturer:

Other Similar products are found below :

[00110100410](#) [00111400134](#) [01.001.6293.0](#) [0107-001-000](#) [0107-003-000](#) [016020114](#) [16-02-0114](#) [70021-0221](#) [02KR-6H-P](#) [02NR-E4K](#)
[02SUR-32S](#) [02T-JWPF-VSLE-S](#) [03KR-6H-P](#) [03NR-E4K](#) [03R-JWPF-VSLE-S](#) [03ZR-8M-P](#) [04.090.0680.0](#) [04KR-6H-P](#) [04NR-E4K](#) [04R-](#)
[JWPF-VSLE-S](#) [04T-JWPF-VSLE-S](#) [0678008002](#) [06KR-6H-P](#) [0709821002](#) [0747280003](#) [07790000155](#) [08KR-6H-P](#) [08NR-E4K](#) [08T-JWPF-](#)
[VSLE-D](#) [09180009903](#) [100013-0181](#) [100014-1240](#) [100014-1242](#) [100014-1341](#) [100014-1345](#) [1000141447](#) [100014-1448](#) [100014-1541](#)
[100014-1542](#) [100015-1444](#) [1000151445](#) [1000151640](#) [100017-1344](#) [100113-0220](#) [100113-4210](#) [100114-0410](#) [100114-0420](#) [100115-0610](#)
[10017660-001LF](#) [10022676-001LF](#) [10029065-001CLF](#) [10029065-001C-TRLF](#)