

LEGEND

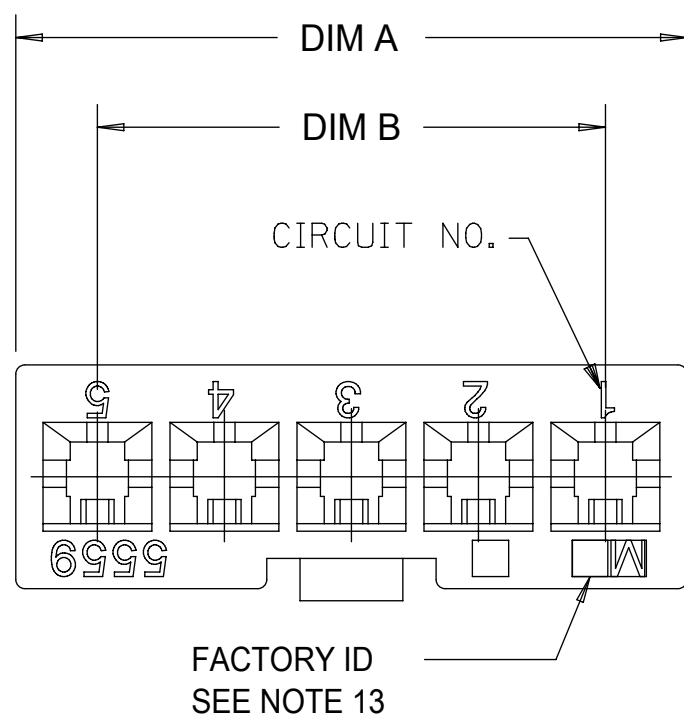
172646-*** **

SERIES NO

CIRCUIT SIZE (04-05)

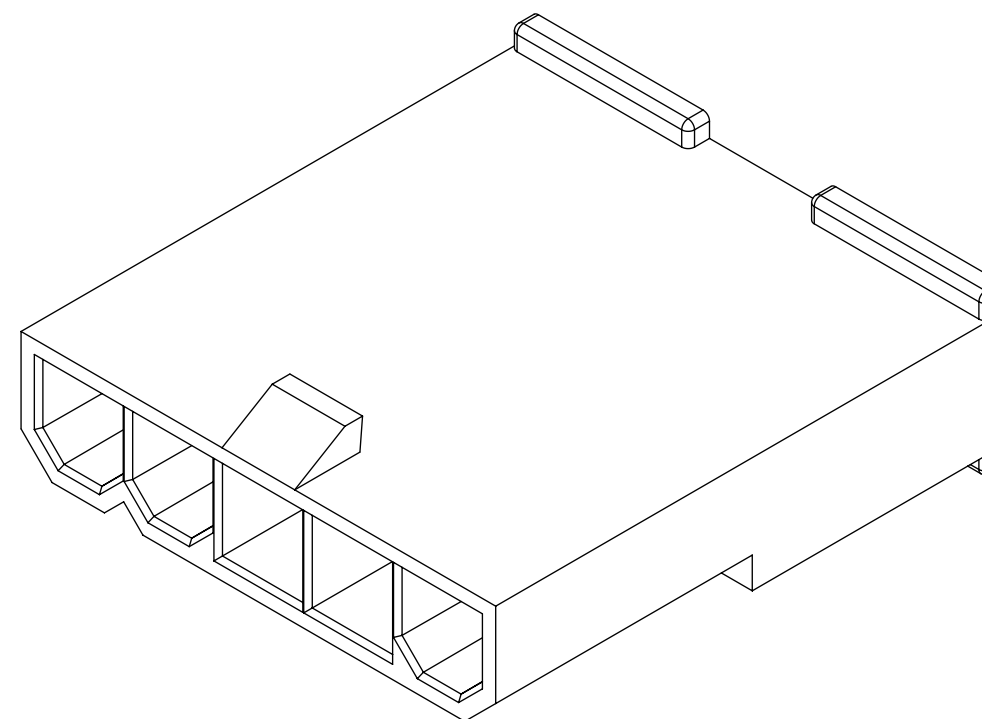
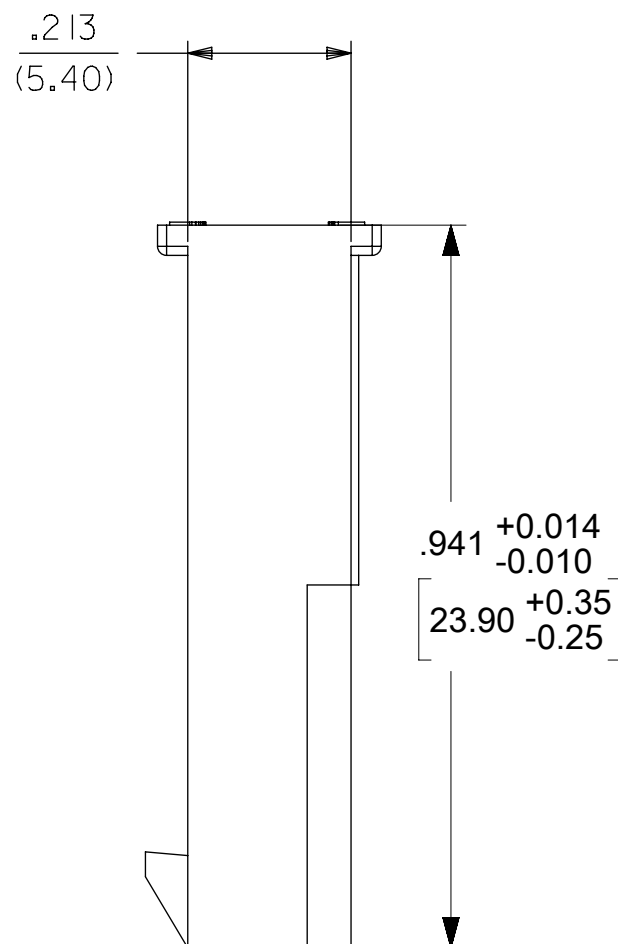
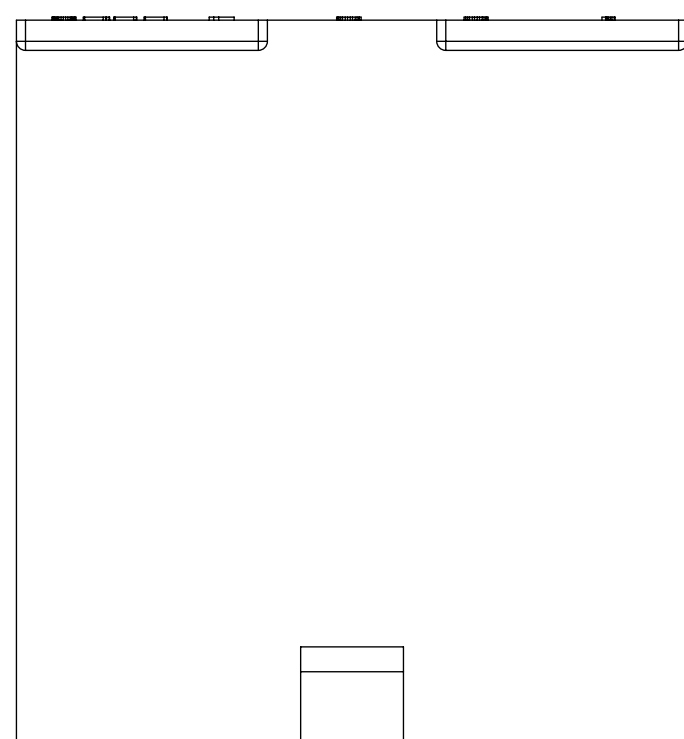
MATERIAL OPTION: SEE NOTE 1

MOUNTING AND LOCK OPTION:
2=WITH EARS, SINGLE ROW
3=WITHOUT EARS, SINGLE ROW



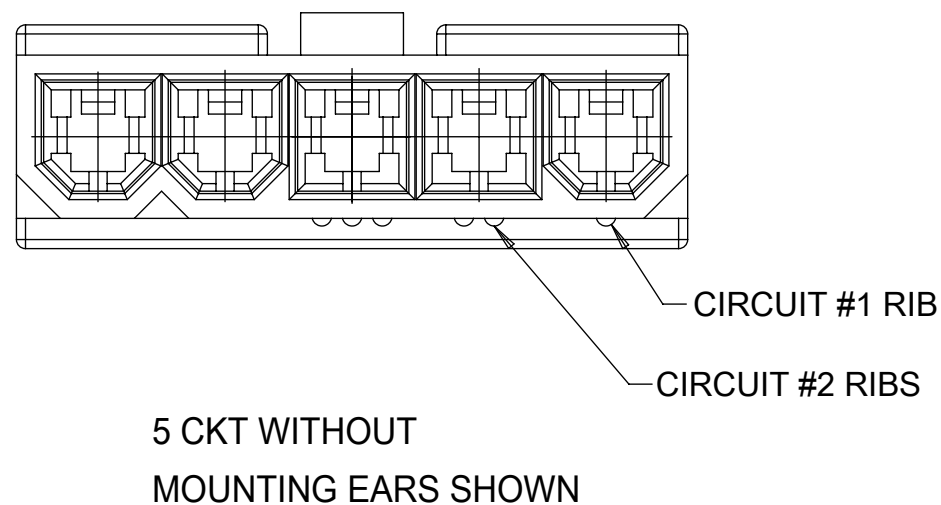
MATERIAL NUMBER	MOUNTING OPTION	COLOR	CKT SIZE	DIM A	DIM B	DIM C	DIM D
172646-0212	W/EARS	BLACK	2	.378	.165	.394	.591
172646-0213	NO EARS			(9.60)	(4.20)	(10.00)	(15.00)
172646-0412	W/EARS		4	.709	.496	.724	.921
172646-0413	NO EARS			(18.00)	(12.60)	(18.40)	(23.40)
172646-0512	W/EARS		5	.874	.661	.890	1.087
172646-0513	NO EARS			(22.20)	(16.80)	(22.60)	(27.60)
172646-0612	W/EARS	6	1.039	.827	1.055	1.252	
172646-0613	NO EARS		(26.40)	(21.00)	(26.80)	(31.80)	
172646-0202	W/EARS	NATURAL (BEIGE)	2	.378	.165	.394	.591
172646-0203	NO EARS			(9.60)	(4.20)	(10.00)	(15.00)
172646-0402	W/EARS		4	.709	.496	.724	.921
172646-0403	NO EARS			(18.00)	(12.60)	(18.40)	(23.40)
172646-0502	W/EARS		5	.874	.661	.890	1.087
172646-0503	NO EARS			(22.20)	(16.80)	(22.60)	(27.60)
172646-0602	W/EARS	6	1.039	.827	1.055	1.252	
172646-0603	NO EARS		(26.40)	(21.00)	(26.80)	(31.80)	

X = NOT TOOLED

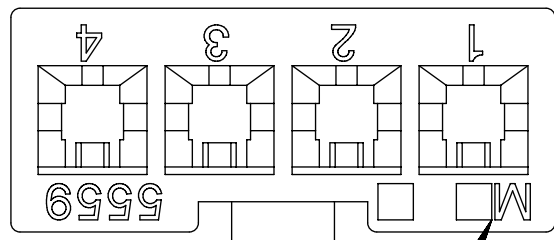


NOTES:

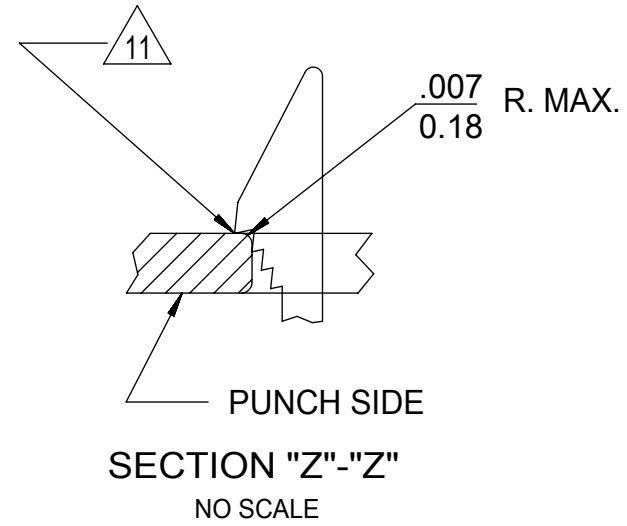
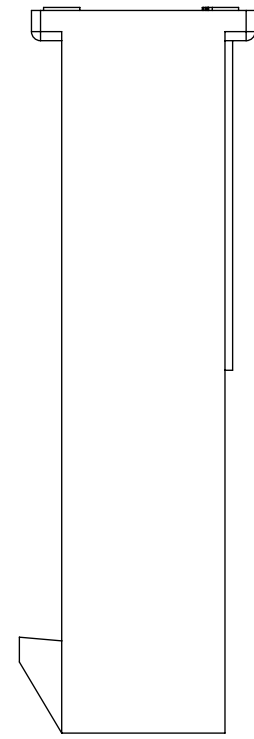
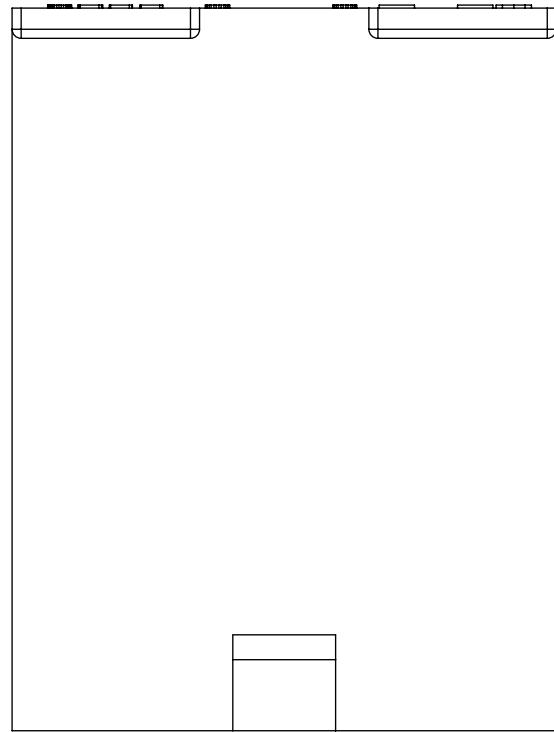
- MATERIAL:
"0" = NYLON, UL94V-2, COLOR: NATURAL (BEIGE); IEC 60335-1, 5th EDITION GLOW WIRE CAPABLE.
"1" = NYLON, UL94V-2, COLOR: BLACK; IEC 60335-1, 5th EDITION GLOW WIRE CAPABLE.
- FINISH: NOT APPLICABLE
- PRODUCT SPECIFICATION: PS-5556-001
- PACKAGING: BULK PER PK-5559-003
- PART MATES WITH MOLEX RECEPTACLE #46994.
- PART TO BE USED WITH MOLEX MALE TERMINAL #5558.
- PART IS NOT DESIGNED FOR CURRENT SHARING.
- CONNECTORS ARE NOT TO BE MATED OR UNMATED WHILE CIRCUITS ARE LIVE.
- WIRES ARE TO BE DRESSED IN SUCH A MANNER TO ALLOW THE TERMINALS TO FLOAT FREELY IN THE POCKET.
- PANEL MOUNT VERSION IS FOR USE WITH .031-.079(0.80/2.00) THICK PANELS.
- PANEL SHOULD BE PUNCHED IN THE DIRECTION OF CONNECTOR INSERTION.
- PART CONFORMS TO CLASS "B" REQUIREMENTS OF COSMETIC SPECIFICATION PS-45499-002 WITH THE EXCEPTION OF DISCOLORATION, FLASH AND SINK MEET CLASS "C" REQUIREMENTS.
- FACTORY ID MAY BE LOCATED ON EARS.



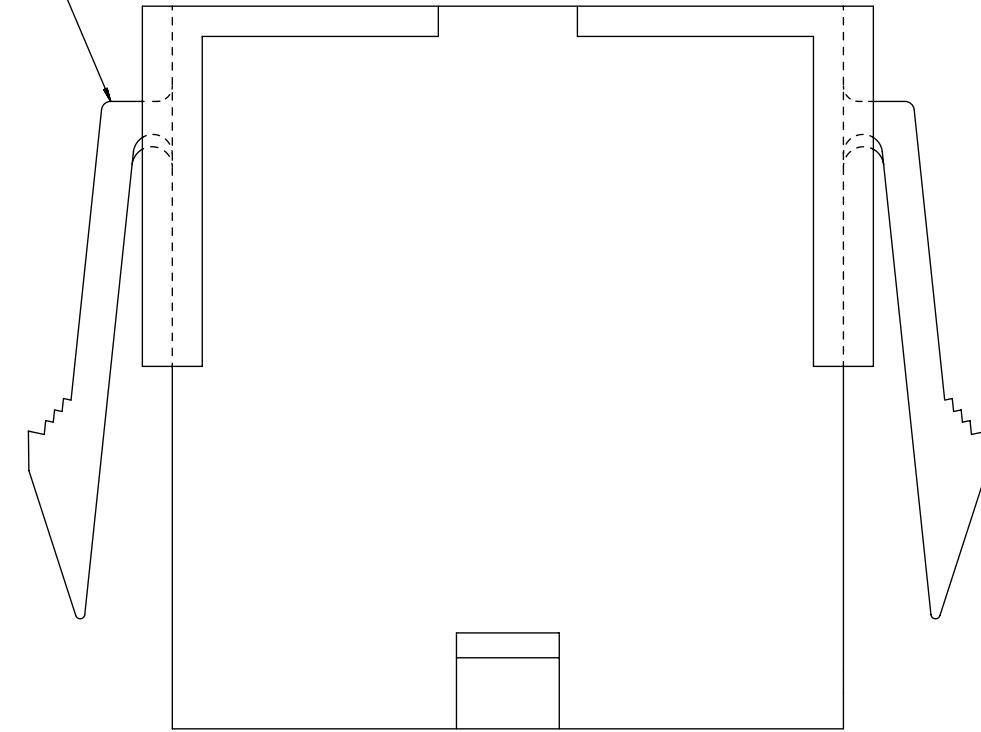
QUALITY SYMBOLS	THIS DRAWING CONTAINS INFORMATION THAT IS PROPRIETARY TO MOLEX ELECTRONIC TECHNOLOGIES, LLC AND SHOULD NOT BE USED WITHOUT WRITTEN PERMISSION								
▽ = 0	ADD TOL TO (E-7) DIM EC NO: 107626 DRWN: CSLAFTER CHKD: JBELL REV / APPR: FSMITH	GENERAL TOLERANCES (UNLESS SPECIFIED)		DIMENSION UNITS	SCALE	<p>MINI-FIT JR. SERIES PLUG SINGLE ROW (GLOW WIRE)</p> <p>PRODUCT CUSTOMER DRAWING</p>			
▽ = 0		MM	INCH	IN/MM	4:1				
▽ = 0		4 PLACES ±	±	DRWN BY	DATE				
▽ = 0		3 PLACES ±	± 0.01	NNGUYEN	2013/04/11				
▽ = 0		2 PLACES ±	± 0.015	CHK'D BY	DATE				
▽ = 0		1 PLACES ±	± 0.015	JBELL	2013/04/11				
▽ = 0		0 PLACES ±	±	APPR BY	DATE				
▽ = 0		ANGULAR TOL = 0.5		FSMITH	2014/05/16				
▽ = 0		DRAFT WHERE APPLICABLE MUST REMAIN WITHIN DIMENSIONS		DRAWING SIZE	THIRD ANGLE PROJECTION				
▽ = 0		A4	C						
RELEASE STATUS		RELEASE DATE		SERIES		MATERIAL NUMBER		CUSTOMER	
12		11		172646		SEE SHEET 1		GENERAL MARKET	
				DOCUMENT NUMBER		DOC TYPE		DOC PART SHEET NUMBER	
				SD-172646-0000		PSD		000 1 OF 2	



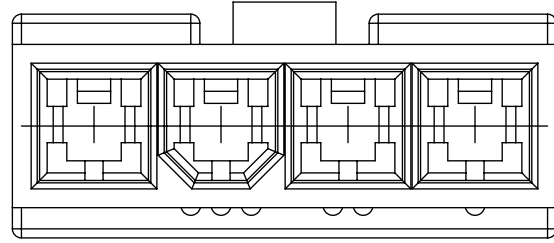
FACTORY ID
SEE NOTE 13



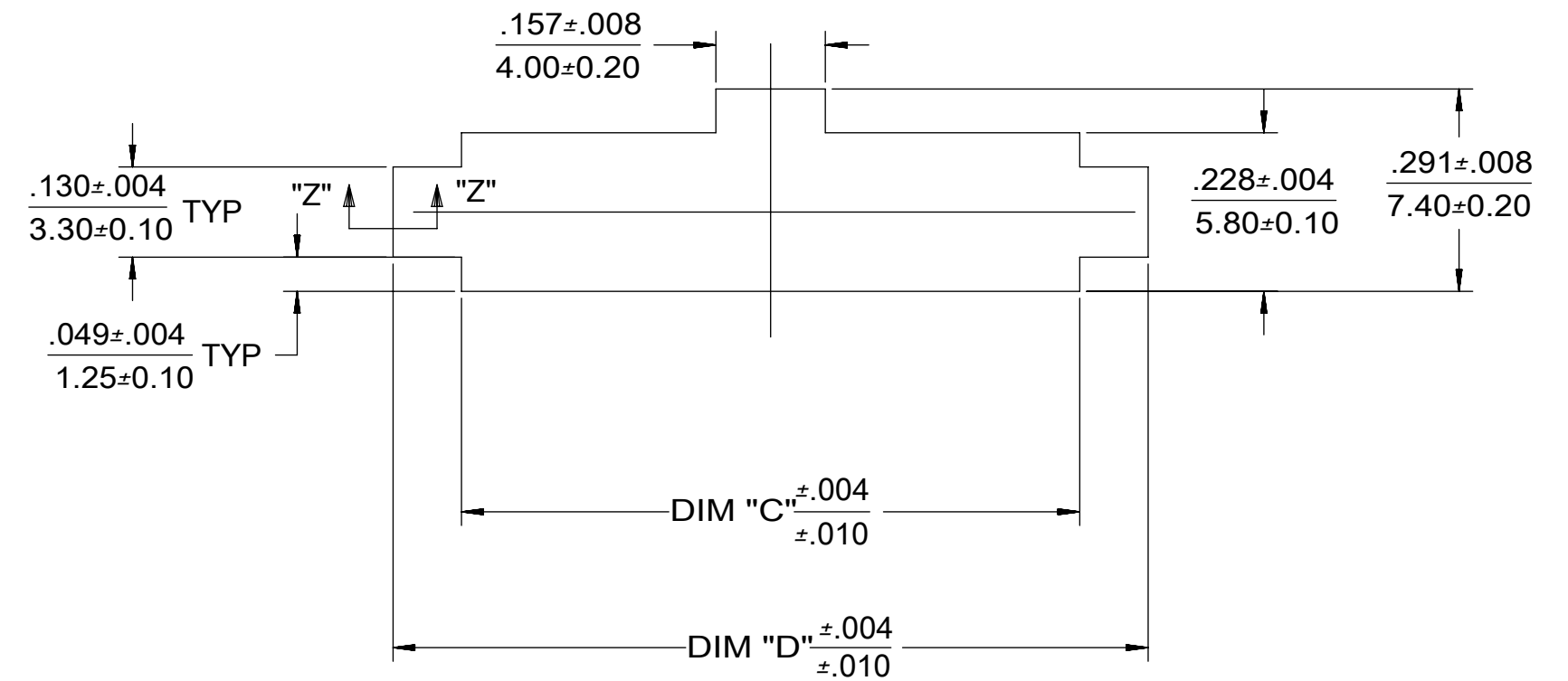
SEE NOTE 13



WITH MOUNTING EARS



4 CKT WITHOUT
MOUNTING EARS SHOWN



QUALITY SYMBOLS 	THIS DRAWING CONTAINS INFORMATION THAT IS PROPRIETARY TO MOLEX ELECTRONIC TECHNOLOGIES, LLC AND SHOULD NOT BE USED WITHOUT WRITTEN PERMISSION														
	ADD TOL TO (E-7) DIM EC NO: 107626 DRWN: CSLAFTER CHKD: JBELL REV APPR: FSMITH	GENERAL TOLERANCES (UNLESS SPECIFIED)				DIMENSION UNITS IN/MM		SCALE 1:1							
		MM		INCH		DRWN BY		DATE							
		4 PLACES ±		±		NNGUYEN		2013/04/11		MINI-FIT JR. SERIES PLUG SINGLE ROW (GLOW WIRE)					
		3 PLACES ±		± 0.01		CHK'D BY		DATE							
		2 PLACES ±		± 0.25 ± 0.015		JBELL		2013/04/11							
	1 PLACES ±		± 0.38 ±		APPR BY		DATE								
	0 PLACES ±		±		FSMITH		2014/05/16		PRODUCT CUSTOMER DRAWING						
	ANGULAR TOL = 0.5				DRAWING SIZE		THIRD ANGLE PROJECTION		SERIES		MATERIAL NUMBER		CUSTOMER		
	DRAFT WHERE APPLICABLE MUST REMAIN WITHIN DIMENSIONS				C				172646		SEE SHEET 1		GENERAL MARKET		
								DOCUMENT NUMBER		DOC TYPE		DOC PART		SHEET NUMBER	
								SD-172646-0000		PSD		000		2 OF 2	

X-ON Electronics

Largest Supplier of Electrical and Electronic Components

Click to view similar products for [Power to the Board](#) category:

Click to view products by [Molex](#) manufacturer:

Other Similar products are found below :

[6450171-4](#) [6450552-7](#) [6600323-8](#) [6643429-1](#) [6646040-2](#) [6651939-1](#) [6766604-1](#) [120959-1](#) [1393557-2](#) [1393532-2](#) [1393532-3](#) [1393532-4](#)
[1393557-1](#) [1600812-5](#) [1-6450861-2](#) [1744132-7](#) [1761122-1](#) [1766250-1](#) [1892109-1](#) [2-6450860-5](#) [2-6450870-0](#) [1-6450161-4](#) [1-6450850-6](#) [1-6450869-6](#) [1645526-2](#) [1-6600130-0](#) [2005243-2](#) [377-0020-11130](#) [TE34-12-16P-F0](#) [5-6450830-6](#) [5646956-4](#) [377-0080-11131A](#) [4-6450830-9](#)
[4-6600333-3](#) [10125416-4050LF](#) [6600320-3](#) [3-6450860-5](#) [1888123-2](#) [6450166-1](#) [6643978-1](#) [6766605-1](#) [701-15-02109](#) [N11444](#) [6651938-1](#)
[6450810-7](#) [46437-1112](#) [1-1589677-8](#) [5646956-5](#) [6450813-2](#) [6450129-4](#)