

PLEASE CHECK WWW.MOLEX.COM FOR LATEST PART INFORMATION

Part Number: [1727040144](#)
Status: **Active**
Overview: [FCT D-Sub Connectors](#)
Description: FCT High Power Contact, Male, Straight, Crimp, 0.20µm Gold Plating, 12-14 AWG

Documents:

[Brochure \(PDF\)](#) [RoHS Certificate of Compliance \(PDF\)](#)

General

Product Family	D-Sub Products
Series	172704
Contact Type	High Power
Overview	FCT D-Sub Connectors
Product Category	Contacts
Product Name	FCT Products
Type	Mixed Layout
UPC	889056020558

Physical

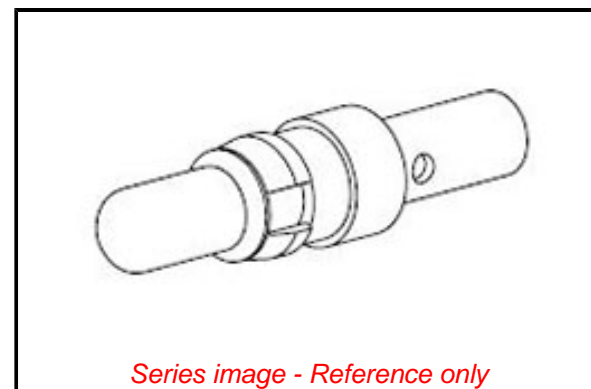
Durability (mating cycles max)	200
Gender	Male
Material - Contact	Copper Alloy
Material - Retaining Clip	Copper Alloy
Net Weight	2.100/g
Orientation	Straight
Packaging Type	Bag
Plating - Contact	Gold over Nickel
Plating min - Mating	0.200µm
Plating min - Termination	0.200µm
Temperature Range - Operating	-55° to +155°C
Termination Style	Crimp
Wire Size AWG	12, 14

Electrical

Current - Maximum per Contact	20.0A
-------------------------------	-------

Material Info

Engineering Number	FMP003P106
--------------------	------------



EU ELV

Not Relevant

EU RoHS

Compliant with Exemption 6(c)

REACH SVHC

Contained Per -
D(2021)4569-DC (8
July 2021)
Lead

Halogen-Free

Status

Not Reviewed

For more information, please visit [Contact US](#)

China ROHS	50 Image
ELV	Not Relevant
RoHS Phthalates	Not Contained

Search Parts in this Series

[172704 Series](#)

Use With

FCT Mixed Layout Connectors

PLEASE CHECK WWW.MOLEX.COM FOR LATEST PART INFORMATION

X-ON Electronics

Largest Supplier of Electrical and Electronic Components

Click to view similar products for [D-Sub Contacts](#) category:

Click to view products by [Molex](#) manufacturer:

Other Similar products are found below :

[D02-22-26S-10000](#) [8656352067LF](#) [131A15029X](#) [132A11019X](#) [132J22039X](#) [132A11029X](#) [132A11049X](#) [132A12059X](#) [1757912-1](#) [188582-000](#) [162A11889X](#) [1757913-1](#) [212558-1](#) [030-1955-000](#) [053744-0098](#) [053744-0099](#) [053745-0105](#) [053745-0111](#) [601098N003](#) [D-610-10CS2962](#) [86303057NLF](#) [131A11019X](#) [162A11819X](#) [40-9854MP](#) [1-208778-5](#) [FC120N2](#) [MC7526D/AA](#) [MC8122D/AA](#) [FC4010D-15](#) [FC4006D](#) [121A05329A](#) [164C16669X](#) [86566620064LF](#) [131A13019X](#) [DLS3XS5AK40X](#) [09692825723](#) [VS-BU-KX-50-RG58](#) [030-1954-000](#) [L17DM53744207](#) [L17RRD1M11400](#) [030-1952-000](#) [1655496](#) [030-1953-000](#) [030-1953-030](#) [132C11039X](#) [132J15019X](#) [132C15019X](#) [132A10039X](#) [131A10029X](#) [8638PSC2006LF](#)