

**PLEASE CHECK WWW.MOLEX.COM FOR LATEST PART INFORMATION**

**Part Number:** [1731090322](#)  
**Status:** **Active**  
**Overview:** [FCT D-Sub Connectors](#)  
**Description:** FCT Standard-Density D-Sub Connector, Female, Straight, IDC Ribbon, 0.20µm Gold Plating, 37 Circuits

**Documents:**

[Datasheet \(PDF\)](#) [RoHS Certificate of Compliance \(PDF\)](#)  
[Brochure \(PDF\)](#)

**General**

Product Family	D-Sub Products
Series	<a href="#">173109</a>
IP Rating	IP20
Overview	<a href="#">FCT D-Sub Connectors</a>
Product Category	D-Sub Connector
Product Name	FCT Products
Type	Standard Density
UPC	191128069502

**Physical**

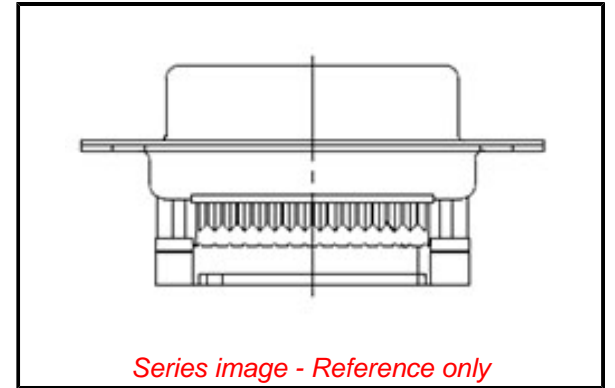
Circuits (Loaded)	37
Circuits (maximum)	37
Color - Resin	Black
Durability (mating cycles max)	50
Gender	Female
Material - Contact	Copper Alloy
Material - Resin	PBT
Material - Shell	Steel
Net Weight	19.900/g
Number of Rows	2
Orientation	Straight
PCB Locator	No
PCB Retention	None
Packaging Type	Tray
Panel Mount	Rear
Panel Mount Method	Flange
Pitch - Mating Interface	2.84mm
Pitch - Termination Interface	2.84mm
Plating - Contact	Gold over Nickel
Plating - Shell	Tin
Plating min - Mating	0.200µm
Plating min - Termination	2.000µm
Polarized to Mating Part	Yes
Ports	1
Shielded	Yes
Temperature Range - Operating	-55° to +130°C
Termination Style	IDC Ribbon
Waterproof / Dustproof	No
Waterproof / Dustproof Type	IP20
Wire Size AWG	28

**Electrical**

Current - Maximum per Contact 1.5A

**Material Info**

Engineering Number F37S15-K49



**EU ELV**

**Not Relevant**

**EU RoHS**

**Compliant**

**REACH SVHC**

Not Reviewed

**Halogen-Free**

**Status**

**Not Reviewed**

For more information, please visit [Contact US](#)

China ROHS

ELV

RoHS Phthalates

**China RoHS**

Green Image

Not Relevant

Not Contained

**Search Parts in this Series**

[173109 Series](#)

**Mates With**

FCT Standard-Density D-Sub, Size 4, 37 Position, Plug

This document was generated on 07/27/2021

**PLEASE CHECK [WWW.MOLEX.COM](http://WWW.MOLEX.COM) FOR LATEST PART INFORMATION**

## X-ON Electronics

Largest Supplier of Electrical and Electronic Components

*Click to view similar products for [D-Sub Standard Connectors](#) category:*

*Click to view products by [Molex](#) manufacturer:*

Other Similar products are found below :

[56F711-015](#) [LV242999-142T12](#) [015-0341-000](#) [015-0372-005](#) [015-0372-008](#) [015-8755-001](#) [020419-0104](#) [012-0467-000](#) [012-9507-034](#) [012-9507-114](#) [020745-0008](#) [609-25P](#) [CT2-14S-2PCA34](#) [CT2-18-11PCAU](#) [CT6-10SL-3SC](#) [CT6-10SL-4SC](#) [CT6-14S-2SC](#) [CT6E14SA7SC](#)  
[M83513/01-FC](#) [M83723/76W24619 L/C](#) [M85049/48-3-2F](#) [6STD09PCM99B70X](#) [6STD09SCM99B30X](#) [6STD09SCT99S40X](#)  
[6STD15PCT99S40X](#) [6STD15SCM99B30X](#) [6STD15SCT99S40X](#) [6STF09PCM05B70X](#) [7-135760-9](#) [MC11E-10-6SN](#) [747552-3](#) [MD1-21PS](#)  
[MDM-15SCBRM7-F222](#) [MDM96517-699](#) [MDM96521-744](#) [MDVB1-21SL1](#) [MIK0-1-7SH003](#) [MIKQ6-7SH076](#) [MIKQ7-7PH077](#) [MIKQ7-7PH11](#) [MIKQ7-7PH32](#) [MJSV-28SL61](#) [MKJ4A1F14-55S](#) [8-135760-3](#) [8STD09PCM99B30X](#) [PG-KV/PV-16-GROM-SEALING](#) [GDA15P](#)  
[GDAY15PB](#) [980-0000-170](#) [980-0000-171](#)